

Membrane Position Sensor



95mm Active Length


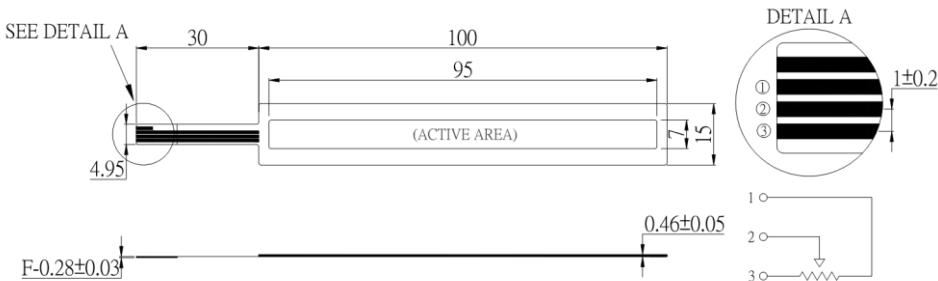
Application

✓ IoT and Logistics, Industrial and many others.

Feature

✓ Slim and flexible



Order Code	Outline Drawing
MAS100-B□□K-031-A01 	

SPECIFICATION

MODEL	MAS100-B□□K-031-A01
POSITION LINEARITY, INDEPENDENT	±3%
RESISTANCE TOLERANCE	±20%
ACTIVE LENGTH	95mm
POWER RATING	1 Watt max. @25°C
LIFE CYCLE(WITHOUT FAILURE)	>0.5 Million
OPERATING TEMPERATURE	-20°C to +70°C
IP RATING	IP65
HUMIDITY	No affect @ 95% RH, 4hrs<50°C

Design and specifications presented here are for the standard parts only. Please kindly contact us for your special requests and ask for the current technical specifications before purchase and/or use.

Mouser Electronics

Authorized Distributor

Click to View Pricing, Inventory, Delivery & Lifecycle Information:

[Alpha \(Taiwan\):](#)

[MAS100-B10K-031-A01](#)