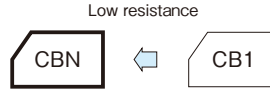




Code in front of series have been extracted from product code, which describes the segment of products, such as type and features.

- Internal resistance was reduced to about 1/3 ( $\phi 13.5$ ), compared with CB1 series.
- It excels in rapid charge.
- Environmental : GREEN CAP™, RoHS compliance.



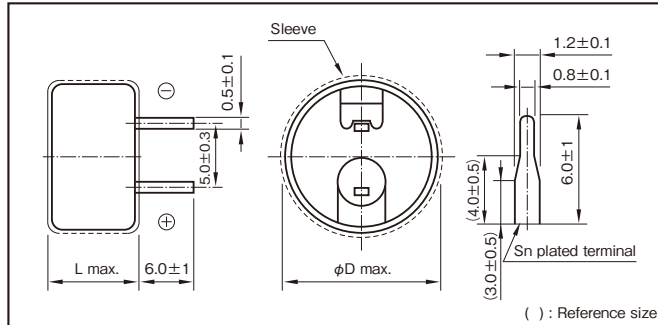
Marking color : White print on an indigo sleeve

### Specifications

Item	Performance																		
Category temperature range (°C)	-25 to +70																		
Tolerance at rated capacitance (%)	-20 to +80																		
Internal resistance at 1 kHz	<table border="1"> <thead> <tr> <th>Rated capacitance (F)</th> <th>0.047</th> <th>0.1</th> <th>0.22</th> <th>0.33</th> <th>0.47</th> <th>0.47</th> <th>1</th> <th>1.5</th> </tr> </thead> <tbody> <tr> <td>Internal resistance (<math>\Omega</math> Max.)</td> <td>25</td> <td>25</td> <td>25</td> <td>25</td> <td>25 (<math>\phi 13.5</math>)</td> <td>20 (<math>\phi 21.5</math>)</td> <td>20</td> <td>20</td> </tr> </tbody> </table>	Rated capacitance (F)	0.047	0.1	0.22	0.33	0.47	0.47	1	1.5	Internal resistance ( $\Omega$ Max.)	25	25	25	25	25 ( $\phi 13.5$ )	20 ( $\phi 21.5$ )	20	20
	Rated capacitance (F)	0.047	0.1	0.22	0.33	0.47	0.47	1	1.5										
Internal resistance ( $\Omega$ Max.)	25	25	25	25	25 ( $\phi 13.5$ )	20 ( $\phi 21.5$ )	20	20											
Characteristics at high and low temperature	Percentage of capacitance change	Within $\pm 30\%$ of the value at 20°C																	
	Internal resistance	Five times or less of the value at 20°C																	
Endurance (70°C)	Test time	1000 hours																	
	Percentage of capacitance change	Within $\pm 30\%$ of the initial measured value																	
	Internal resistance	Four times or less of the initial specified value																	
Shelf life (70°C)	Test time : 1000 hours ; Same as endurance.																		
Applicable standards	Conforms to JIS C5160 - 1 (IEC 62391 - 1)																		

### Outline Drawing

Unit : mm



Product code system : 5.5V0.22F (\*For general product)

RS*	CBN	224	5R5	G07	014	T
Category code	Series code	capacitance code	Voltage code	Size code	Lead-forming and packing code	Additional code

- Product code is refer to following table and "Product Code System" pages.
  - Lead-forming and packing code on this page are for standard terminals and standard packing products.
- For standard packing, please refer to the "PACKING" page.

### Standard Ratings

Max. operating voltage (V)	Rated capacitance (F)	ELNA Parts No.	$\phi D \times L$ (mm)
5.5	0.047	RSCBN4735R5G07014T	13.5×7.5
5.5	0.1	RSCBN1045R5G07014T	13.5×7.5
5.5	0.22	RSCBN2245R5G07014T	13.5×7.5
5.5	0.33	RSCBN3345R5G07014T	13.5×7.5
5.5	0.47	RSCBN4745R5G07014ST	13.5×7.5
5.5	0.47	RSCBN4745R5L08015T	21.5×8.0
5.5	1	RSCBN1055R5L08015T	21.5×8.0
5.5	1.5	RSCBN1555R5L08015T	21.5×8.0

\*It can discharge with 1.5 times as much current (mA) as rated capacitance.

# Mouser Electronics

Authorized Distributor

Click to View Pricing, Inventory, Delivery & Lifecycle Information:

[Elna:](#)

[RSCBN4745R5L08015T](#) [RSCBN1045R5G07014T](#) [RSCBN1055R5L08015T](#) [RSCBN1555R5L08015T](#)  
[RSCBN2245R5G07014T](#) [RSCBN3345R5G07014T](#) [RSCBN4735R5G07014T](#)