

# M5 - SERIES

## SPECIFICATIONS AND ORDERING INFORMATION

1" DIAMETER 2.0 AMPS @ 28 VDC

The M5 Series was originally designed to meet the requirements of MIL-S-3786/4. Standard construction includes 30° indexing up to 12 positions, solder lug terminals and adjustable stops. A very reliable switch for long life.



### SPECIFICATIONS

#### ELECTRICAL

**Current and Voltage Rating:** Make and break resistive load 2.0 amps @ 28 VDC; 2.5 amp @ 120 VAC.  
**Current Carrying Capacity:** 12 amps.  
**Dielectric Strength:** 1,500 VAC between current carrying parts and ground.  
**Contact Resistance:** Average initial 5 milliohms.  
**Insulation Resistance:** In excess of 100,000 megohms

**Hardware:** Mounting nut and lockwasher are shipped assembled.

#### MECHANICAL

**Materials and Finishes:** All parts utilize non-corrosive materials as standard.  
**Terminals:** Copper alloy with silver plating as standard.  
**Insulation:** Diallyl phthalate.  
**Index:** Dual-ball, hill and valley design.  
**Index Life:** 25,000 cycles minimum.  
**Index Torque:** Switches have lowest practical torque consistent with crisp detenting and smooth, reliable operation.  
**Index Angles:** Positive 30° standard, 36°, 45°, 60°, and 90° available.  
**Index Stops:** Fixed standard, adjustable, or continuous.  
**Stop Strength:** 15 in. lbs. minimum.

### STANDARD PART NUMBER

#### ADJUSTABLE STOPS

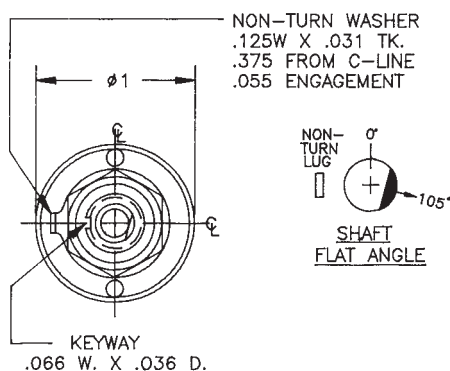
SWITCHES - 30° INDEXING - STOPS SET @ 2 POS. - SOLDER LUG TERMINALS

POLES	ACTIVE POSITIONS	POLES/ DECK	NO. OF DECKS	SHORTING	NON-SHORTING	FIG. ★
01	02-12	1	1	M5D0112S - A	M5D0112N - A	CE
02	02-12	1	2	M5D0212S - A	M5D0212N - A	CE
02	02-06	2	1	M5D0206S - A	M5D0206N - A	CJ
03	02-12	1	3	M5D0312S - A	M5D0312N - A	CE
04	02-12	1	4	M5D0412S - A	M5D0412N - A	CE
04	02-06	2	2	M5D0406S - A	M5D0406N - A	CJ
06	02-06	2	3	M5D0606S - A	M5D0606N - A	CJ
08	02-06	2	4	M5D0806S - A	M5D0806N - A	CJ

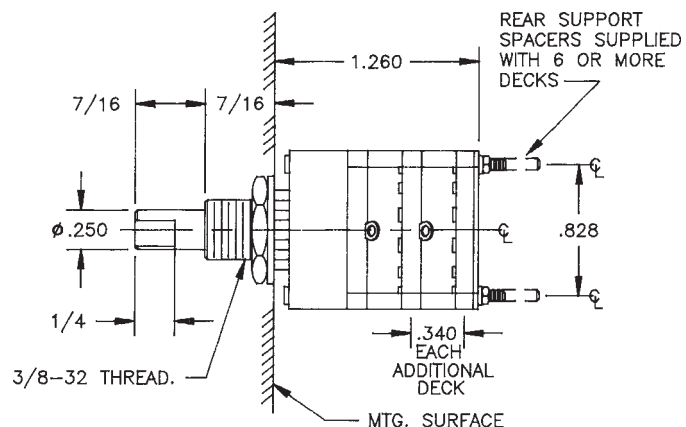
\* FIGURES ARE SHOWN ON PAGE 55.

### DIMENSIONS

#### STANDARD CONSTRUCTION



#### M5D - DIALLYL PHTHALATE CONSTRUCTION



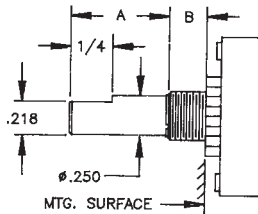
## How to Order Additional Options:

2 DIGIT SERIES	INSULATION TYPE	TOTAL POLES	ACTIVE POSITIONS	CONTACT TYPE	INDEX ANGLE	STOP TYPE	SHAFT/ BUSHING	SHAFT FLAT
M5	D - DIALLYL	01 - MIN.	12 - MAX @ 30° 10 - MAX @ 36° 08 - MAX @ 45° 06 - MAX @ 60° 04 - MAX @ 90°	S - SHORTING N - NON SHORTING	30° 36° 45° *60° *90°	F - FIXED A - ADJ. (30° AND 36° ONLY) C - CONT.	SEE CHART "A"	SEE CHART "B"
					*NOT AVAILABLE IN SHORTING			

CUSTOMERS SPECIFIED ORDER NUMBER FOR STANDARD OPTIONS

<b>M</b>	<b>5</b>	<b>D</b>	<input type="text"/>	<input type="text"/>	<input type="text"/>	<input type="text"/>	<input type="text"/>	<input type="text"/>	<input type="text"/>
			(SPECIFY)	(SPECIFY)	(SPECIFY)	ADDITIONAL OPTIONS			
			(SPECIFY)	(SPECIFY)	(SPECIFY)	(SPECIFY)	(SPECIFY)	(SPECIFY)	(SPECIFY)

### SHAFT, BUSHING, AND FLAT OPTIONS



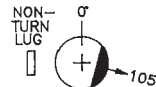
P/N OPT.	SHAFT LGTH. "A"	BUSH. LGTH. "B"
01	7/16	7/16
02	3/8	5/16

- STD

P/N OPT.	FLAT ANGLE
U	105°
B	ROUND

- STD

SHAFT AS VIEWED WITH NON-TURN LUG AT 9 O'CLOCK AND SHAFT IN EXTREME CCW POSITION AND STRUT BOLTS ORIENTED VERTICALLY.



**U**

CUSTOM SWITCHES ARE AVAILABLE. CONTACT THE FACTORY WITH YOUR COMPLETE SPECIFICATIONS.

# Mouser Electronics

Authorized Distributor

Click to View Pricing, Inventory, Delivery & Lifecycle Information:

[Electroswitch:](#)

[M5D0212N-A](#) [M5D0312N-A](#) [M5D0606N-A](#) [M5D0112N-A](#) [M5D0206S-A](#) [M5D0412N-A](#) [M5D0802N-90](#)