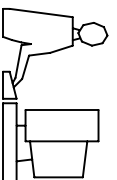
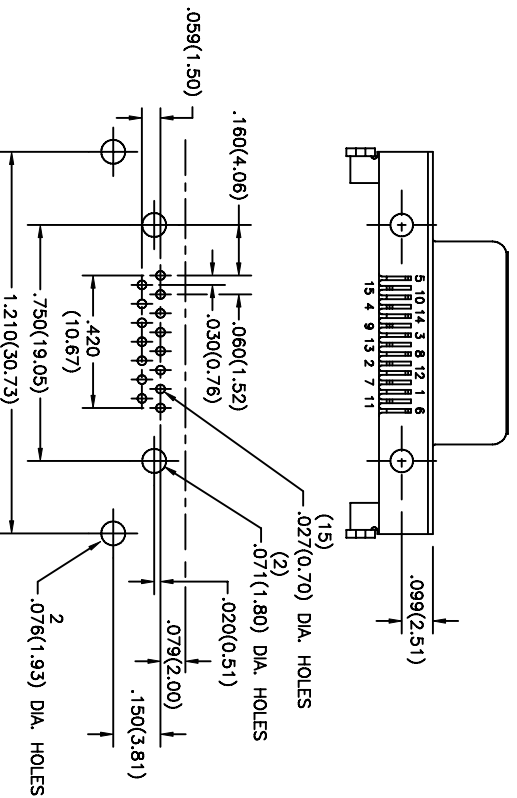
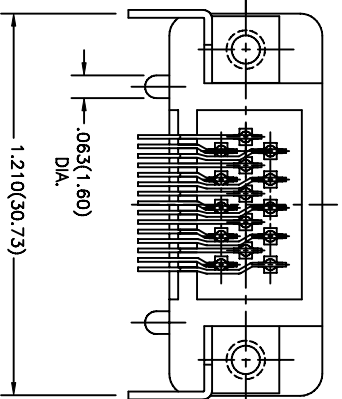
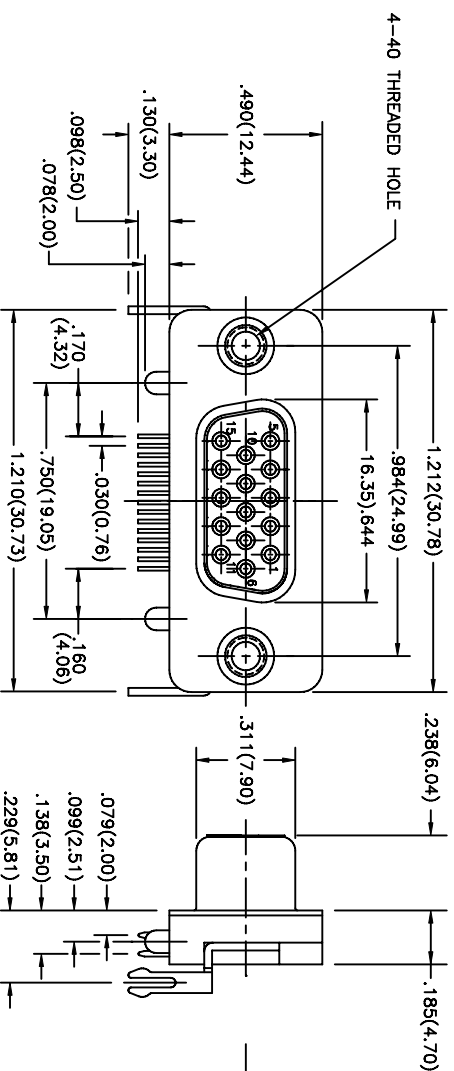


THIS IS A C.A.D. GENERATED DRAWING
DO NOT MAKE MANUAL REVISIONS TO MASTER.



ALLOW TO HAVE EXTRAS CAVITIES
ON THIS SURFACE FOR SHRINKING
PURPOSE AS PER MOLDER REQUEST



MATERIALS AND FINISH

- 1: STEEL, NICKEL PLATED
- 2: INSULATOR, NYLON 6T, COLOR PANTONE BLUE #2935U
- 3: CONTACTS: PHOSPHOR BRONZE, GOLD PLATED ON CONTACT AREA TIN ON TAILS OVER NICKEL
- 4: BOARD LOCKS, BRASS TIN PLATED
- 5: RIVETS, BRASS NICKEL PLATED

SPECIFICATIONS

CURRENT RATING: 1 AMP MAX.
INSULATION RESISTANCE: 1000 MEGOHMS MIN. AT 500 VDC
DWD: 500 VAC rms FOR 1 MINUTE
CONTACT RESISTANCE: 30 MILLOHMS MAX.
TEMPERATURE RATING: -40°C +230°C
PROCESSING TEMPERATURE: +265°C FOR 10 SEC.

CONTACT POSITION 9th RECESSED

ISSUE NUMBER
ORIGINAL ①

ROHS STATEMENT ADDED. ②
R.BLAKELY NOV 30/05

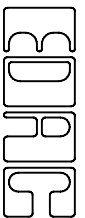
PROCESSING TEMP. ADDED
F.BRIONES DEC.12/05 ③

DIA. OF ALIGNMENT PINS
.063(1.60) AND HOLES ON
PCB LAYOUT .071(1.80)
WAS .073(1.85) AND .076(1.93)
F.BRIONES FEB.14/06 ④

DIM.1.240(31.49) WAS
1.210(30.73)
F.BRIONES APR.19/06 ⑤

DIM.1.210(30.73) ON B/LOCKS
WAS 1.240(31.49)
F.BRIONES NOV.23/06 ⑥

634 SERIES HDD SUBMINIATURE CONNECTOR
15 CONTACTS RECEPTACLE(SOCKET) RIGHT ANGLE ULTRA SLIM



EDAC INC
TORONTO, ONTARIO
CANADA

YOUR CONNECTION TO QUALITY & SERVICE

THESE DRAWINGS AND SPECIFICATIONS
ARE THE PROPERTY OF EDAC INC. AND
SHALL NOT BE REPRODUCED, OR COPIED
OR USED AS THE BASIS FOR THE
MANUFACTURE OR SALE OF APPARATUS
WITHOUT WRITTEN PERMISSION.

DRAWN: F.BRIONES DATE: JUNE 20/05

CHECKED: DATE:

PART NUMBER 634-015-274-990

DRAWING NUMBER 634-015-274-990 ISSUE

634-015-274-990

6



THIS SERIES FULLY CONFORMS TO THE
EUROPEAN UNION DIRECTIVES 2002/95/EC
AND 2002/96/EC FOR ROHS COMPLIANCY.

Mouser Electronics

Authorized Distributor

Click to View Pricing, Inventory, Delivery & Lifecycle Information:

[EDAC:](#)

[634-015-274-990](#)