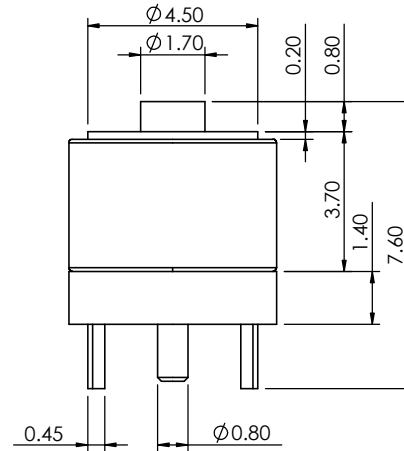
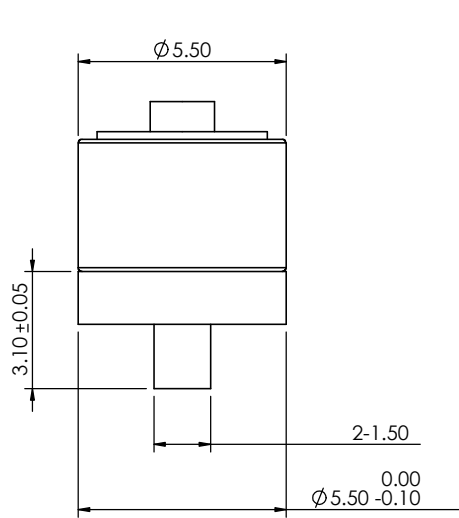


TOLERANCE UNLESS OTHERWISE SPECIFIED	
.X	±0.15
.XX	±0.10

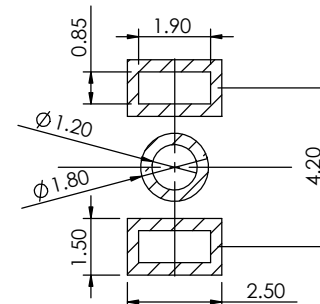
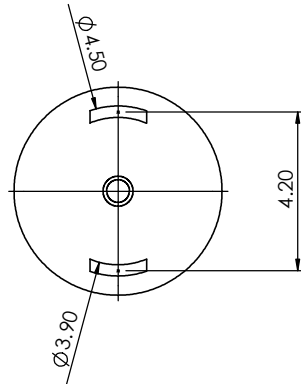
THIS IS A C.A.D. GENERATED DRAWING
DO NOT MAKE MANUAL REVISIONS TO MASTER.



ISSUE NUMBER	
ORIGINAL	①



SPECIFICATION:
MATERIAL:
CONTACT: BRASS GOLD FLASH PLATING ALL OVER
NICKEL UNDERPLATING
HOUSING : PA9T
MAGNET : N52
ELECTRICAL:
RATED VOLTAGE (PER CONTACT): 5V
RATED CURRENT (PER CONTACT): 2A
WORKING TEMPERATURE RANGE: -30 °C~+85 °C



PCB LAYOUT
LAYOUT TOLERANCE: ±0.05MM

MAGNETIC SPRING LOADED CONNECTOR,
1POS, FEMALE

ACAD REFERENCE NO.:	686A02222011A1E	UNIT: MM
DRAWN:	J.L.	DATE: 2023-04-27
CHECKED:	R.S.M	DATE: 2023-04-27
SCALE:	(IN CAD 1:1)	SHEET 1 OF 1
DRAWING NUMBER:	686A02222011A1E	ISSUE
PART NUMBER:	686A02222011A1E	1



THIS SERIES FULLY CONFORMS TO
THE EUROPEAN UNION DIRECTIVES
2011/65/EU FOR RoHS COMPLIANCY.



YOUR CONNECTION TO QUALITY & SERVICE

EDAC INC
TORONTO, ONTARIO
CANADA

THESE DRAWINGS AND SPECIFICATIONS
ARE THE PROPERTY OF EDAC INC., AND
SHALL NOT BE REPRODUCED, OR COPIED
OR USED AS THE BASIS FOR THE
MANUFACTURE OR SALE OF APPARATUS
WITHOUT WRITTEN PERMISSION.

Mouser Electronics

Authorized Distributor

Click to View Pricing, Inventory, Delivery & Lifecycle Information:

EDAC:

[686A02222011A1E](#)