



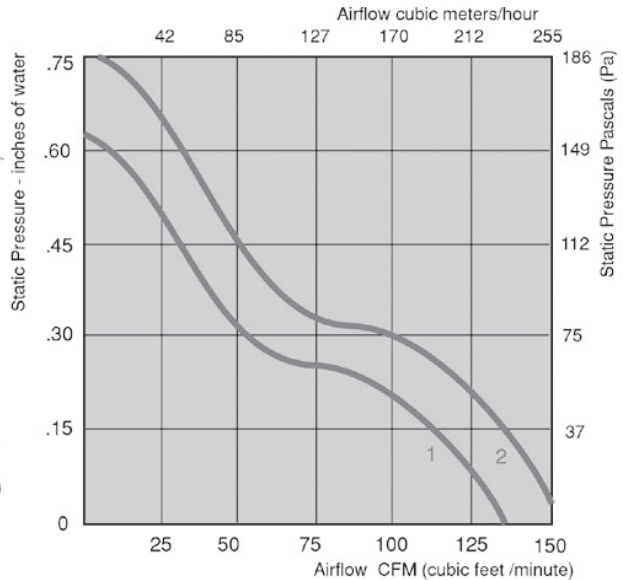
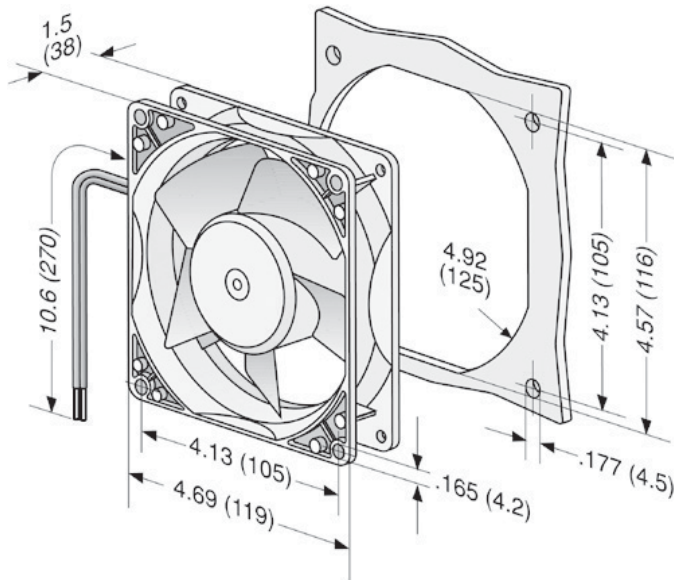
W1G110 Series

Tubeaxial

119x119x38mm

- DC fans with electronically commutated external rotor motor. Fully integrated commutation electronics.
- With electronic protection against reverse polarity and locked-rotor.
- Mounting from either face using four 4.3 mm holes.
- Die-cast aluminum housing. Impeller of sheet-steel, directly welded onto rotor and stove-enameled.
- Air exhaust over struts. Rotational direction CCW looking at rotor.
- Electrical connection via 2 flat pins 2.8 x 0.8 mm.
- UL, CSA, VDE approvals on some models, please contact application engineering.

Part Number	Curve	CFM @ 0	VDC	Volt. Range	Power (W)	dBA	Max Amb. Temp C	Bearing Type	Features
W1G110-AG03-07	1	138	24	16 to 28	11	58	60	Ball	Leads
W2G110-AK43-31	1	140	24	16 to 28	15	61	60	Ball	Terminal
W2G110-AM41-31	2	156	48	36 to 56	5.9	54	60	Ball	Terminal
W1G110-AG07-05	2	157	48	36 to 56	16	63	60	Ball	Leads
W1G110-AG07-06	2	157	48	36 to 56	16	63	60	Ball	Leads



Mouser Electronics

Authorized Distributor

Click to View Pricing, Inventory, Delivery & Lifecycle Information:

[ebm-papst:](#)

[W1G110-AG07-06](#) [W1G110-AG07-05](#)