

D2E097-BI56-48

# AC centrifugal fan

forward-curved, dual-intake  
with housing (flange)



## ebm-papst Mulfingen GmbH & Co. KG

Bachmühle 2 · D-74673 Mulfingen

Phone +49 7938 81-0

Fax +49 7938 81-110

info1@de.ebmpapst.com

www.ebmpapst.com

Limited partnership · Headquarters Mulfingen

Amtsgericht (court of registration) Stuttgart · HRA 590344

General partner Elektrobau Mulfingen GmbH · Headquarters Mulfingen

Amtsgericht (court of registration) Stuttgart · HRB 590142

## Nominal data

Type	D2E097-BI56-48		
Motor	M2E052-CA		
Phase		1~	1~
Nominal voltage	VAC	230	230
Frequency	Hz	50	60
Method of obtaining data		fa	fa
Valid for approval/standard		CE	CE
Speed (rpm)	min <sup>-1</sup>	1950	1850
Power consumption	W	87	100
Current draw	A	0.39	0.45
Capacitor	µF	2	2
Capacitor voltage	VDB	400	400
Min. back pressure	Pa	0	0
Min. back pressure	inH <sub>2</sub> O	0	0
Min. ambient temperature	°C	-25	-25
Max. ambient temperature	°C	40	35

ml = Max. load · me = Max. efficiency · fa = Free air · cs = Customer specification · ce = Customer equipment  
Subject to change



# AC centrifugal fan

forward-curved, dual-intake

with housing (flange)

## Technical description

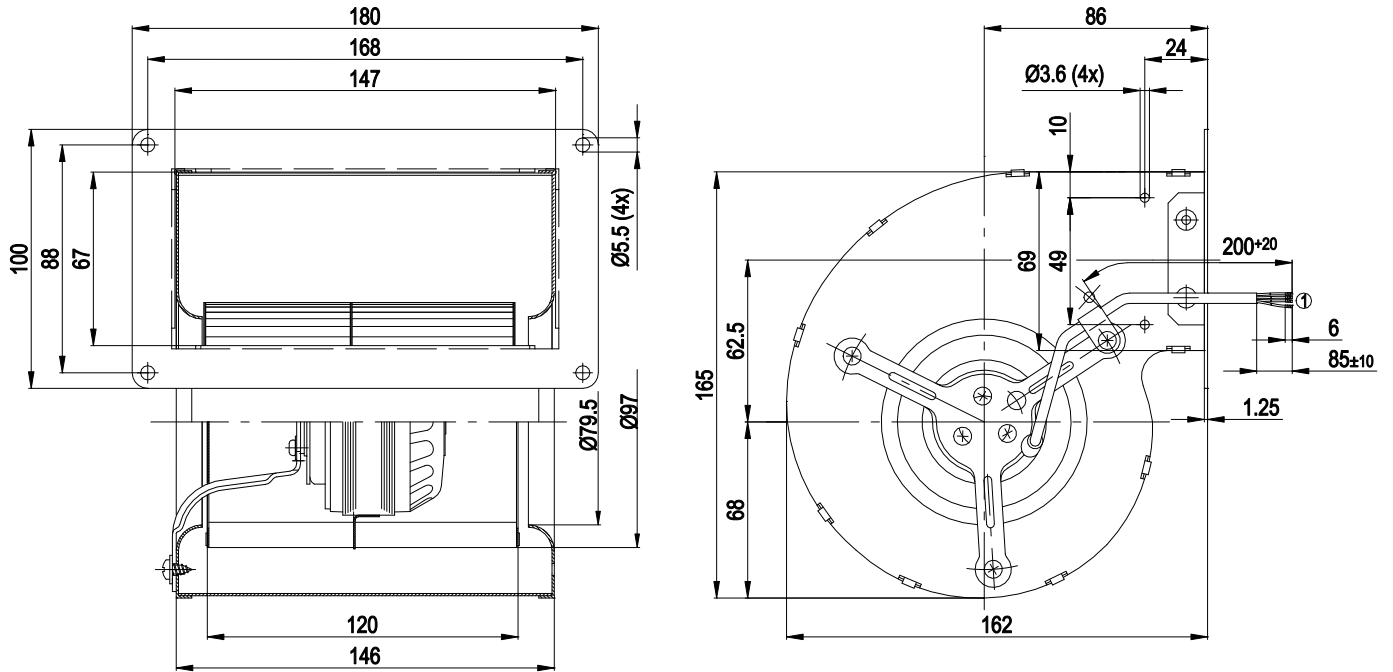
<b>Weight</b>	1.68 kg
<b>Fan size</b>	97 mm
<b>Rotor surface</b>	Partly cast in aluminum
<b>Impeller material</b>	Sheet steel, hot-dip galvanized
<b>Housing material</b>	Sheet steel, hot-dip galvanized
<b>Motor suspension</b>	Motor mounted with brackets on one side
<b>Direction of rotation</b>	Counterclockwise, viewed toward rotor
<b>Degree of protection</b>	IP20
<b>Insulation class</b>	"B"
<b>Max. permitted ambient temp. for motor (transport/storage)</b>	+ 80 °C
<b>Min. permitted ambient temp. for motor (transport/storage)</b>	- 40 °C
<b>Installation position</b>	Any
<b>Condensation drainage holes</b>	None
<b>Mode</b>	S1
<b>Motor bearing</b>	Ball bearing
<b>Touch current according to IEC 60990 (measuring circuit Fig. 4, TN system)</b>	< 0.75 mA
<b>Motor protection</b>	Thermal overload protector (TOP) internally connected
<b>Protection class</b>	I (with customer connection of protective earth)
<b>Conformity with standards</b>	EN 60335-1; CE
<b>Approval</b>	CCC; EAC



# AC centrifugal fan

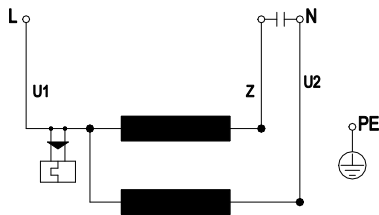
forward-curved, dual-intake  
with housing (flange)

## Product drawing



1 Cable PVC 0.5 mm<sup>2</sup>, 4x crimped splices

## Connection diagram



U1	blue	Z	brown	U2	black
PE	green/yellow				

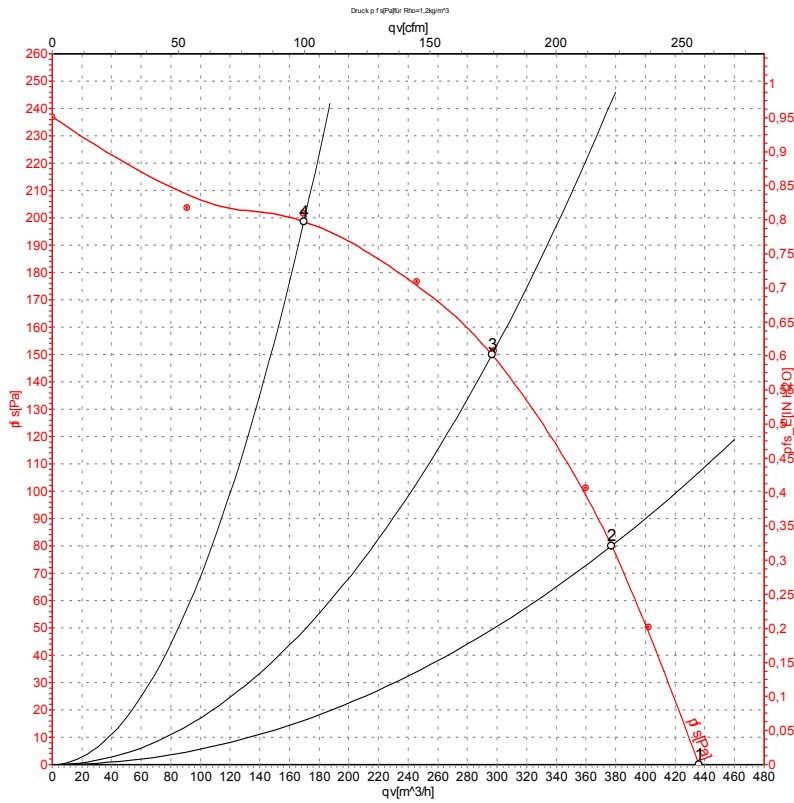


# AC centrifugal fan

forward-curved, dual-intake

with housing (flange)

## Curves: Air performance 50 Hz



Measurement: LU-34651-1

Air performance measured according to ISO 5801 installation category A. For detailed information on the measurement setup, contact ebm-papst. Intake sound level: Sound power level according to ISO 13347 / sound pressure level measured at 1 m distance from fan axis. The values given are valid under the specified measuring conditions and may vary due to conditions of installation. For deviations from the standard configuration, the parameters have to be checked on the installed unit.

## Measured values

	U	f	n	P <sub>e</sub>	I	qv	p <sub>fs</sub>	qv	p <sub>fs</sub>
	V	Hz	min <sup>-1</sup>	W	A	m <sup>3</sup> /h	Pa	CFM	inH2O
1	230	50	1950	87	0.39	435	0	255	0.00
2	230	50	2235	81	0.35	375	80	220	0.32
3	230	50	2470	73	0.32	295	150	175	0.60
4	230	50	2710	67	0.31	170	200	100	0.80

U = Power supply · f = Frequency · n = Speed (rpm) · P<sub>e</sub> = Power consumption · I = Current draw · qv = Air flow · p<sub>fs</sub> = Pressure increase

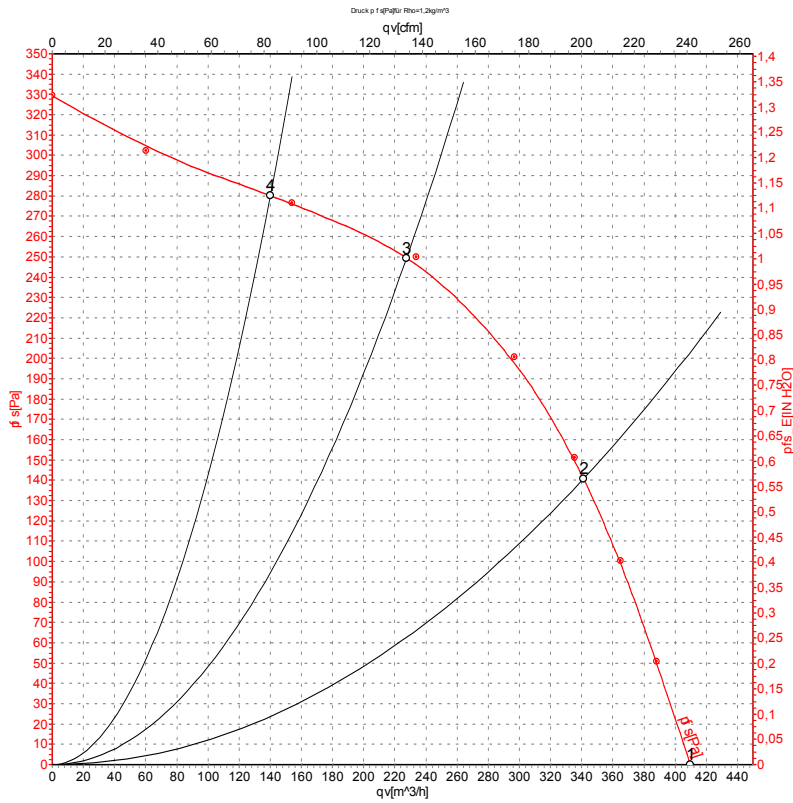


# AC centrifugal fan

forward-curved, dual-intake

with housing (flange)

## Curves: Air performance 60 Hz



Measurement: LU-34652-1

Air performance measured according to ISO 5801 installation category A. For detailed information on the measurement setup, contact ebm-papst. Intake sound level: Sound power level according to ISO 13347 / sound pressure level measured at 1 m distance from fan axis. The values given are valid under the specified measuring conditions and may vary due to conditions of installation. For deviations from the standard configuration, the parameters have to be checked on the installed unit.

## Measured values

	U	f	n	P <sub>e</sub>	I	qv	p <sub>fs</sub>	qv	p <sub>fs</sub>
	V	Hz	min <sup>-1</sup>	W	A	m <sup>3</sup> /h	Pa	CFM	inH2O
1	230	60	1850	100	0.45	410	0	240	0.00
2	230	60	2500	93	0.40	340	140	200	0.56
3	230	60	2995	81	0.35	230	250	135	1.00
4	230	60	3210	74	0.32	140	280	80	1.12

U = Power supply · f = Frequency · n = Speed (rpm) · P<sub>e</sub> = Power consumption · I = Current draw · qv = Air flow · p<sub>fs</sub> = Pressure increase



# Mouser Electronics

Authorized Distributor

Click to View Pricing, Inventory, Delivery & Lifecycle Information:

[ebm-papst:](#)

[D2E097-BE01-02](#)