



# S4E300A Series

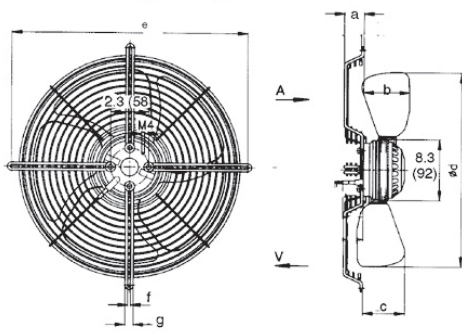
Axial

## Ø 360mm K-Range

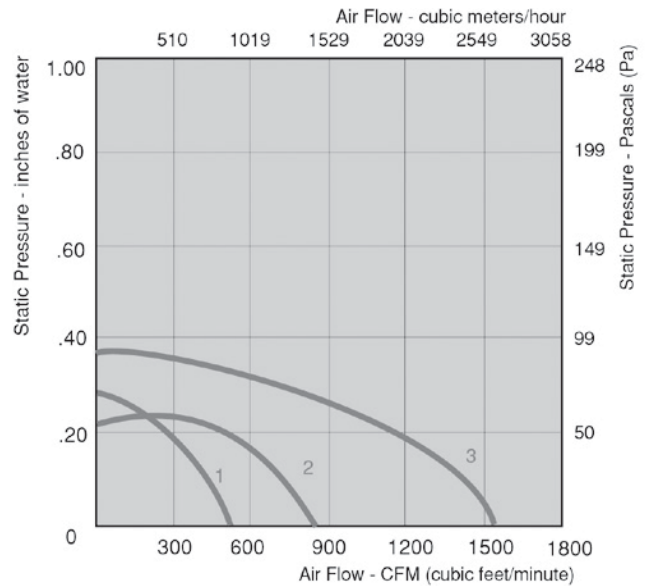
- ebm-papst offers a wide range of AC axial fans to optimally fit any application.
- Impellers are spray-molded of high quality plastic, and connected to motor by molding a metal ring into hub.
- Direction of rotation is CCW looking at rotor.
- Maintenance-free ball bearings..
- UL, CSA, VDE approvals on some models, please contact application engineering.

Part Number	Curve	CFM @ 0	VAC	Hertz	Power (W)	dBA	Max. Amb. Temp C	Bearing Type	Features	Capacitor (µF)	Grill Position
A4E250-AE32-51	1	535	230	50/60	50	50	70	Ball	Leads	1.5	Inlet
S4E300-EH26-51	2	859	230	50/60	90	61	55	Ball	Leads	1.5	Inlet
S4E360-EC20-51	3	1556	230	50/60	120	59	40	Ball	Leads	3	Inlet

Direction of air delivery ← „V“  
→ „A“



Series Number	Dimensions - inches (mm)						
	a	b	c	d	e	f	g
S4E300	1.18 (30)	2.80 (71)	2.60 (66)	11.57 (294)	14.17 (360)	0.18 (4.6)	0.49 (12.4)
S4E360	0.87 (22)	3.00 (76)	3.00 (76)	14.17 (360)	15.75 (400)	0.20 (6.6)	0.65 (16.6)



# Mouser Electronics

Authorized Distributor

Click to View Pricing, Inventory, Delivery & Lifecycle Information:

[ebm-papst:](#)

[S4E360-EC20-51](#) [S4E360-AI07-10](#) [S4E360-EI07-55](#) [S4E360-EC20-05](#)