



DC centrifugal fans

Series RER 190 TDU Ø190 x 69 mm



Highlights:

- Backward curved RadiCal impeller with maximum efficiency and 3-phase motor
- Motor protection against reverse polarity and locking
- Direction of air flow: axial air intake, centrifugal air exhaust
- Connection via single strands AWG 22, TR 64, speed signal and control input AWG 22, bared and tin-plated
- Ingress protection rating of IP68

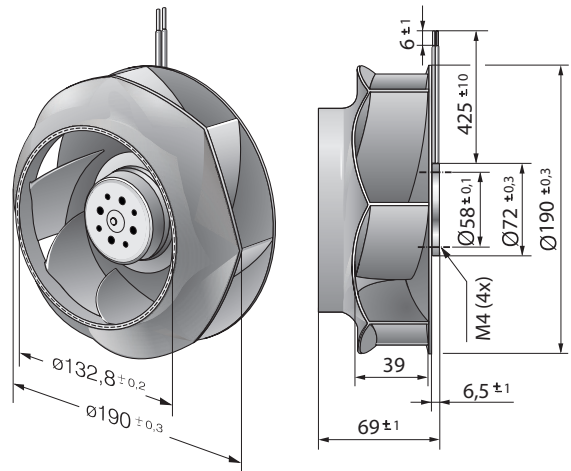
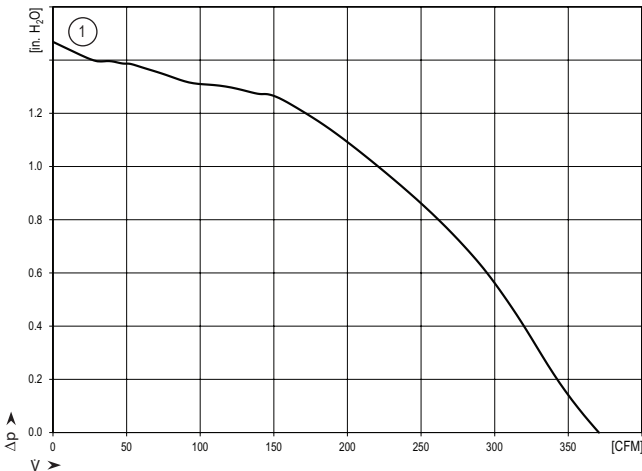
Material: Impeller: Fiberglass-reinforced composite

Direction of rotation: Clockwise, seen on rotor

Nominal Data

Type	Air flow CFM	Nominal voltage VDC	Voltage range VDC	Sound pressure level dB(A)	Sound power level Bel(A)	Ball bearings	Power input Watts	Speed RPM	Temperature range °C	Mass g	Ingress Protection Rating	UL Approval	Curves
RER 190-39/14/2TDLOU	376.7	24	16...30	-	6.8	Yes	57.1	2900	-20...60	870	IP68	Yes	1

Curves



Mouser Electronics

Authorized Distributor

Click to View Pricing, Inventory, Delivery & Lifecycle Information:

[ebm-papst:](#)

[RER190-39/14/2TDLOU](#)