

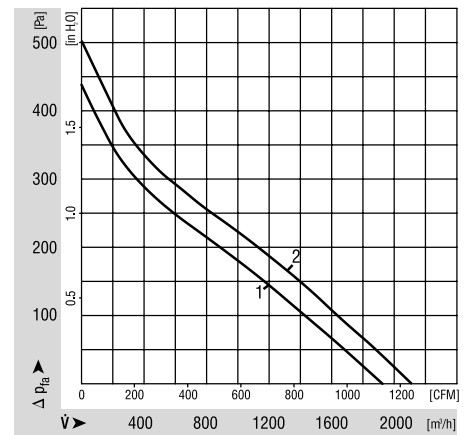
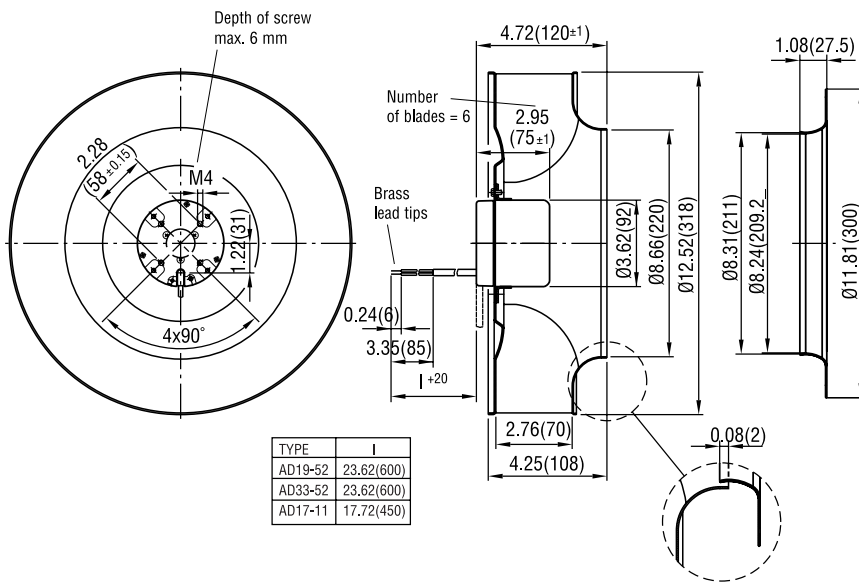
# R1G310AD Series Motorized Impeller

## Ø 310mm Backward Curved



- These centrifugal fans have backward curved blades offering an extremely good aerodynamic efficiency
- Impeller completely made of sheet aluminium.
- Wiring connection: Red = + ; Blue = - ; White = Tach Output; Yellow = Speed Control
- Integrated electronics with reverse polarity and locked-rotor protection. Rotation is CW. Tach Output. Cable exit: variable.
- UL, CSA, VDE approvals on most models, please contact application engineering.
- Recommended inlet ring: 31051-2-4013.

Part Number	Curve	CFM @ 0	VDC	Volt. Range	Power (W)	dB(A)	Max Amb. Temp C	Bearing Type	Speed (RPM)	Wgt. (lbs)
R1G310-AD19-52	1	1124	24	16 to 28	90	64	45	Ball	1600	8.00
R1G310-AD33-52	1	1124	48	36 to 57	90	64	45	Ball	1600	8.00
R1G310-AD17-11	2	1236	48	36 to 52	120	67	40	Ball	1800	8.00



# Mouser Electronics

Authorized Distributor

Click to View Pricing, Inventory, Delivery & Lifecycle Information:

[ebm-papst:](#)

[R1G310-AD17-11](#) [R1G310-AD19-52](#) [R1G310-AD33-52](#) [R1G310-AA19-52](#)