

4312 T

## DC axial compact fan



### ebm-papst St. Georgen GmbH & Co. KG

Hermann-Papst-Straße 1

D-78112 St. Georgen

Phone +49 7724 81-0

Fax +49 7724 81-1309

info2@de.ebmpapst.com

www.ebmpapst.com

### Nominal data

| Type                     | 4312 T            |           |
|--------------------------|-------------------|-----------|
| Nominal voltage          | VDC               | 12        |
| Nominal voltage range    | VDC               | 8 .. 13.2 |
| Speed                    | min <sup>-1</sup> | 2800      |
| Power input              | W                 | 5.5       |
| Min. ambient temperature | °C                | -20       |
| Max. ambient temperature | °C                | 65        |
| Air flow                 | m <sup>3</sup> /h | 170       |
| Sound power level        | B                 | 5.8       |
| Sound pressure level     | dB(A)             | 45        |

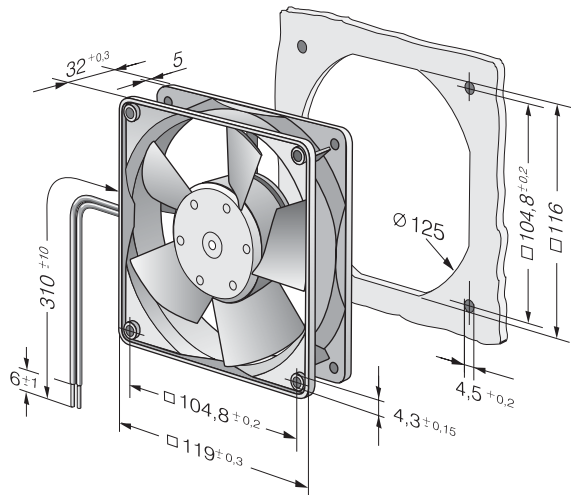
ml = max. load · me = max. efficiency · rfa = running at free air · cs = customer specs · cu = customer unit  
Subject to alterations



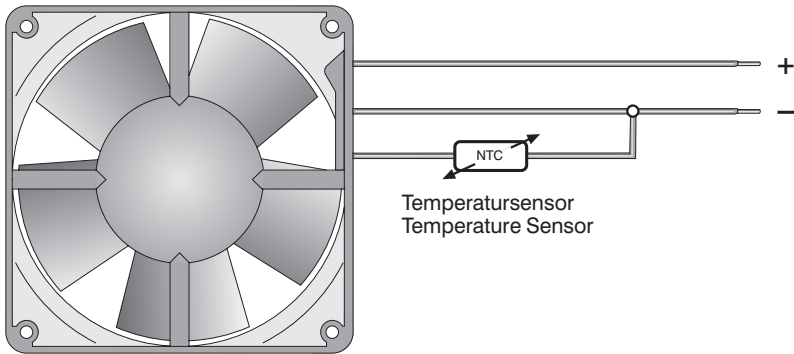
### Technical features

|  |  |
|--|--|
| <b>Dimensions</b>                          | 119 x 119 x 32 mm  |
| <b>General description</b>                 | <p>Particular design features:</p> <p>Open loop speed control via external temperature sensor.<br/>Automatic adaptation of the speed to the cooling requirement.</p> <p>General features:</p> <p>Material: fibreglass-reinforced plastic. Impeller PA, housing PBT.<br/>Electronic commutation completely integrated.<br/>Protected against reverse polarity and locking.<br/>Connection via single strands AWG, TR 64, bared and tin-plated.<br/>Air exhaust over bars. Rotational direction clockwise looking at rotor.<br/>Mass: 220 g.</p> |
| <b>Connection line</b>                     | Single strands AWG 22, TR 64, bared and tin-plated.  |
| <b>Direction of rotation</b>               | Clockwise, looking at rotor  |
| <b>Direction of air flow</b>               | Air exhaust over bars  |
| <b>Bearing</b>                             | Ball bearings  |
| <b>Lifetime L10 at 40 °C</b>               | 65000 h  |
| <b>Lifetime L10 at maximum temperature</b> | 35000 h  |
| <b>Mass</b>                                | 0.220 kg   |
| <b>Housing material</b>                    | Fiberglass-reinforced PBT plastic  |
| <b>Material of impeller</b>                | Fiberglass-reinforced PA plastic   |
| <b>Motor protection</b>                    | Protected against reverse polarity and locking.  |

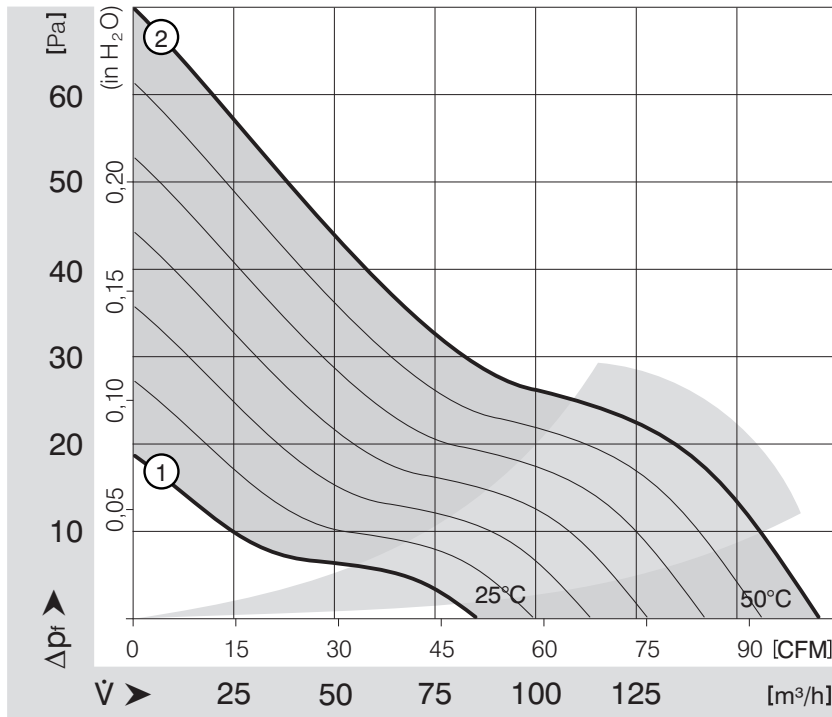
## Product drawing



## Connection screen



**Charts: Air flow**



# Mouser Electronics

Authorized Distributor

Click to View Pricing, Inventory, Delivery & Lifecycle Information:

[ebm-papst:](#)

[4312T](#)