


- SPECIFICATIONS:**
- ELECTRICAL CHARACTERISTICS**
 - CURRENT RATING: 0.5 AMP
 - VOLTAGE RATING: 40 V
 - CONTACT RESISTANCE: 30MILLIOHMS MAX
 - INSULATION RESISTANCE: 100M MIN. @ 500V DC
 - DIELECTRIC WITHSTANDING VOLTAGE: 500V AC FOR 1 MINUTE
 - MECHANICAL CHARACTERISTICS:**
 - INSERTION FORCE : 4.5KGF MAX.
 - WITHDRAWING FORCE : 1KGF ~ 4KGF.
 - LIFE TEST: 10000 CYCLES**
 - OPERATING TEMPERATURE: -25°C TO +85°C**
 - ELECTROPLATING SPECIFICATIONS:**
 - TERMINAL : CONTACT TERMINAL 1U" GOLD, SMT TERMINAL MATTE TIN

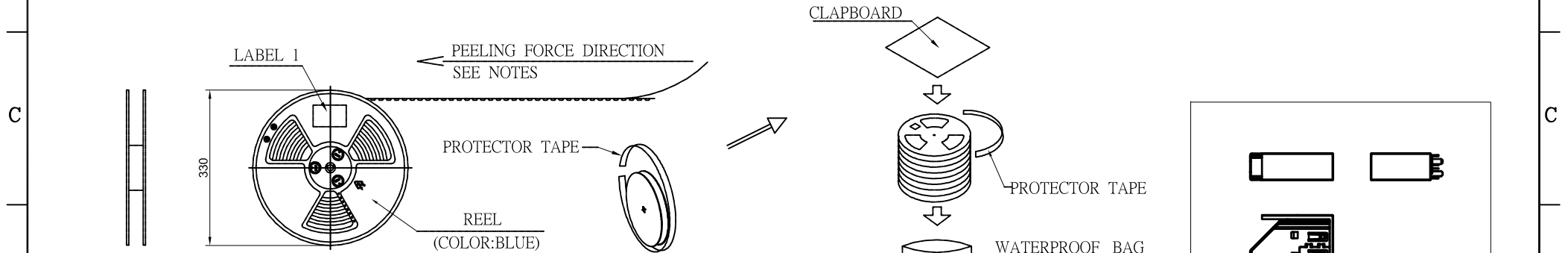
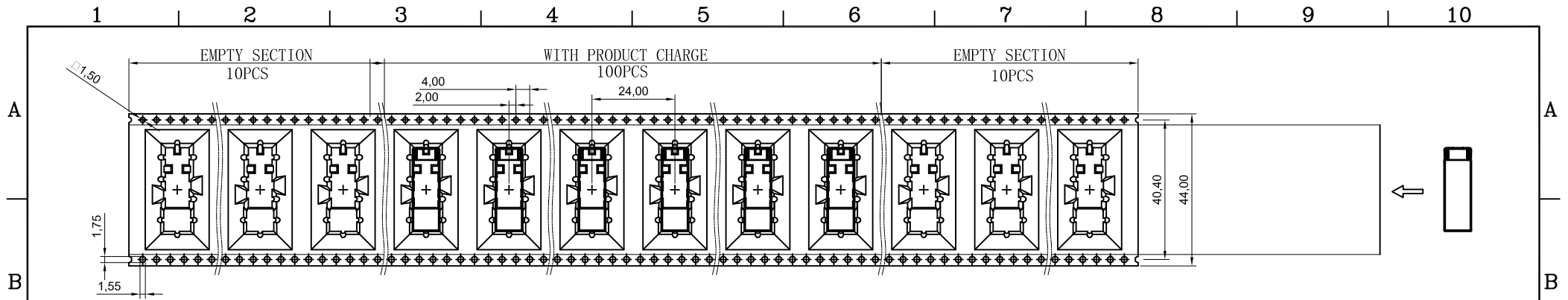
RECOMMENDED PCB LAYOUT (TOP VIEW)
TOLERANCE: ±0.05mm

D	COVER	1	LCP E130i UL94V-0 BLACK
C	SHELL	1	C2680R-H Ni 50u" T=0.4±0.005mm PLATING ALL OVER
B	TERMINAL	19	C2680R-H,T=0.2±0.005mm
A	HOUSING	1	LCP E130i UL94V-0 BLACK
NO	PART NAME	QTY	MATERIAL PLATING & COLOR

PROPRIETARY NOTE:
This document contains confidential information and proprietary to Rego Electronics and shall not be reproduced or disclosed to other documents or used for any purpose other than that for which was obtained without the expressed written consent of Rego Electronics.

.X ± 0.35	APPROVED:	 http://www.rego.com.tw
.XX ± 0.25	CHECKED:	
.XXX ± 0.15	DRAWN:	
X° ± 3°		
UNITS:	SCALE:	TITLE: HDMI 2.1 Female Connector Upright DIP Type
mm	NONE	PART NO: RG9916-117B13-03B0
		SHEET: 1 OF 2

0	21.1.2021
REV	DATE



NOTES:

1. DIMNSION:

CARTON: 350*350*405mm,K=K. (1PCS)

EDGE BOARD: 340*310mm (4PCS)

CLAPBOARD: 330*330mm (2PCS)


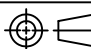
2. QUANTITY:

100 PCS/REEL

8 REELS/SHIPPING CARTON

800 PCS/SHIPPING CARTON

0	21.1.2021
REV	DATE

<p>PROPRIETARY NOTE: This document contains confidential information and proprietary to Rego Electronics and shall not be reproduced or disclosed to other documents or used for any purpose other than that for which was obtained without the expressed written consent of Rego Electronics.</p>		
.X ± 0.35	APPROVED: Chris	 http://www.rego.com.tw TITLE: HDMI 2.1 Female Connector Upright DIP Type
.XX ± 0.25	CHECKED: Andy	
.XXX ± 0.15	DRAWN: Vic	
X° ± 3°		
	UNITS: mm	SCALE: NONE
		PART NO: RG9916-117B13-03B0
		SHEET: 2 OF 2

Mouser Electronics

Authorized Distributor

Click to View Pricing, Inventory, Delivery & Lifecycle Information:

[Rego Electronics:](#)

[RG9916-117B13-03B0](#)