

**Precision Wide Bandwidth Quad Analog Switches**

**Features**

- Single-Supply Operation (+2V to +6V)
- Rail-to-Rail Analog Signal Range
- Low On-Resistance (6-ohm typ @ 5V) Minimizes Distortion and Error Voltages
- R<sub>ON</sub> Matching Between Channels, 0.4-ohm typ
- On-Resistance Flatness, 2-ohm typ
- Low Charge Injection. Q=4pC typ. Reduces Step errors, “clicking, popping” noise
- High Speed. t<sub>ON</sub>, 10ns typ
- Very Low Crosstalk: -72dB @ 30 MHz
- Wide -3dB Bandwidth: >200 MHz
- High-Current Channel Capability: >100mA
- TTL/CMOS Logic Compatible
- Low Power Consumption (0.5μW typ)
- Pin-compatible with DG3XX, DG4XX, MAX39X
- Packaging (Pb-free & Green):
  - 16-pin QSOP (Q)

**Description**

The 392A is a monolithic analog switches designed for low-voltage, single-supply operation. This high-precision device is ideal for low-distortion audio, video, signal switching and routing applications.

The PI5A392A has four normally open (NO) switches. Each switch conducts current equally well in either direction when on. When off they block voltages up to the power-supply rails.

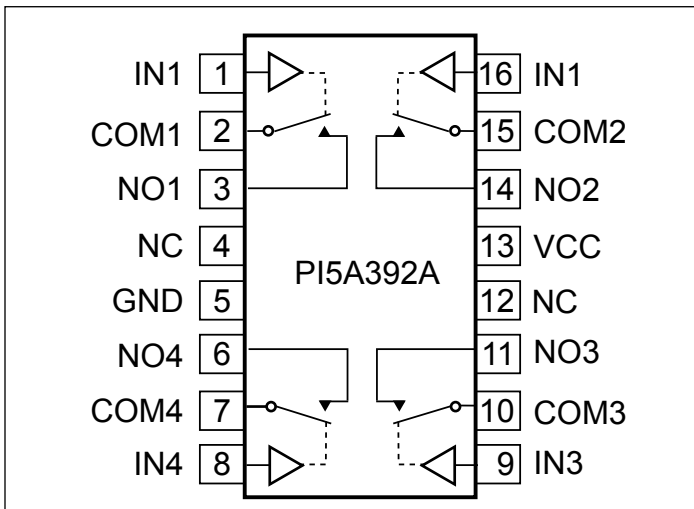
The 392A is fully specified with +5V, and +3.3V supplies. With +5V, they guarantee <12-ohm on-resistance. On-resistance matching between channels is within 2-ohm. On-resistance flatness is less than 4ohm over the full signal range. The PI5A39X family guarantees fast switching speeds (t<sub>ON</sub> < 20ns).

This product is available in the 16-pin QSOP package for operation over the industrial (-40oC to +85 oC) temperature range.

**Applications**

- Audio, Video Switching and Routing
- Battery-Powered Communication Systems
- Computer Peripherals
- Telecommunications
- Portable Instrumentation
- Mechanical Relay Replacement

**Functional Diagram, Pin Configuration and Truth Tables**



Logic	Switch
0	OFF
1	ON

Switch IS shown with logic "0" input.

## Absolute Maximum Ratings

Parameter	Min.	Max.	Units
Storage Temperature	-65	150	°C
Ambient Temperature with Power Applied	-40	85	°C
Supply Voltage to Ground Potential	-0.5	7.0	V
DC Input Voltage	-0.5	0.5	V
DC Output Current		120	mA
Power Dissipation		0.5	W

Stress beyond those listed under “Absolute Maximum Ratings” may cause permanent damage to the device.

## DC Characteristics (Over the Operating Range, $T_A = -40^{\circ}\text{C}$ to $+85^{\circ}\text{C}$ , $V_{CC} = 5\text{V} \pm 10\%$ , $\text{GND} = 0\text{V}$ )

Parameters	Description	Test Conditions <sup>(1)</sup>	Min.	Typ.	Max.	Units
$V_{\text{ANALOG}}$	Analog Signal Range		0		$V_{CC}$	V
$R_{\text{ON}}$	ON-Resistance	$I_{\text{NC or NO}} = 10\text{ mA to }30\text{ mA}$		6	18	ohm
$\Delta R_{\text{ON}}$	Match Between Channels			0.4	2	
$R_{\text{FLAT(ON)}}$	$R_{\text{ON}}$ Flatness	$I_{\text{ON}} = 1\text{ mA}$ , $V_{\text{NO}}$ , $V_{\text{NC}} = 0\text{V TO }5\text{V}$		1	2	
$I_{\text{NO(OFF)}}$ $I_{\text{NO(ON)}}$	On/Off Leakage Current	$V_{\text{NO}}$ , $V_{\text{NC}} = 4.5\text{V}$	-30		30	nA
$I_{\text{CC}}$	Quiescent Supply Current	$V_{CC} = 5.5\text{V}$ , $V_{\text{IN}} = 0\text{V OR }V_{CC}$			100	
$I_{\text{O}}$	Output Current	$V_{\text{NO}}$ , $V_{\text{NC}}$ or $V_{\text{COM}} = 0\text{V to }5\text{V}$	100			mA
$V_{\text{IH}}$	Input High Voltage	Guaranteed Logic HIGH Level	2.0			V
$V_{\text{IL}}$	Input Low Voltage	Guaranteed Logic LOW Level	-0.5		0.8	
$I_{\text{IH}}$	Input High Current	$V_{CC} = \text{Max.}$ , $V_{\text{IN}} = V_{CC}$			$\pm 1$	$\mu\text{A}$
$I_{\text{IL}}$	Input Low Current	$V_{CC} = \text{Max.}$ , $V_{\text{IN}} = \text{GND}$			$\pm 1$	

### Notes:

1. For Max. or Min. conditions, use appropriate value specified under Electrical Characteristics for applicable device type.

## Dynamic Electrical Characteristics

(Over the Operating Range,  $T_A = -40^{\circ}\text{C}$  to  $+85^{\circ}\text{C}$ ,  $V_{CC} = 5\text{V} \pm 10\%$ ,  $\text{GND} = 0\text{V}$ )

Parameters	Description	Test Conditions <sup>(1)</sup>	Min.	Typ.	Max.	Units
$t_{\text{ON}}$	Turn-on Time	$V_{\text{COM}} = 3.0\text{V}$ , see Figure 1		10	20	NS
$t_{\text{OFF}}$	Turn-off Time	$V_{\text{COM}} = 3.0\text{V}$ , see Figure 1		5	10	NS
$X_{\text{TALK}}$	Crosstalk	$R_L = 100\text{ ohm}$ , $f = 30\text{ MHz}$ , see Figure 4		-72		dB
$C_{\text{(OFF)}}$	NC or NO Capacitance	$f = 1\text{ kHz}$		13		pF
OIRR	Off Isolation	$R_L = 100\text{ ohm}$ , $f = 30\text{ MHz}$ , see Figure 5		-55		dB
BW	Bandwidth -3 dB	$R_L = 100\text{ ohm}$ , see Figure 3		200		MHz
D	Distortion $\Delta\text{RON}/\text{RL}^{(2)}$	$R_L = 100\text{ ohm}$		2		%
Q	Charge Injection	$C_L = 1\text{ nF}$ , $V_{\text{Gen}} = 0\text{V}$		3	5	pC

## DC Characteristics (Over the Operating Range, $T_A = -40^{\circ}\text{C}$ to $+85^{\circ}\text{C}$ , $V_{CC} = 3.3\text{V} \pm 10\%$ , $\text{GND} = 0\text{V}$ )

Parameters	Description	Test Conditions <sup>(1)</sup>	Min.	Typ.	Max.	Units
$V_{\text{ANALOG}}$	Analog Signal Range		0		$V_{CC}$	V
$R_{\text{ON}}$	ON-Resistance	$I_{\text{NC or NO}} = 10\text{ mA}$ to $30\text{ mA}$		15	28	ohm
$\Delta R_{\text{ON}}$	Match Between Channels			0.4	2	
$R_{\text{FLAT(ON)}}$	$R_{\text{ON}}$ Flatness	$I_{\text{ON}} = 1\text{ mA}$ , $V_{\text{NO}}$ , $V_{\text{NC}} = 0\text{V TO } 5\text{V}$		1	2	
$I_{\text{NO(OFF)}}$ $I_{\text{NO(ON)}}$	On/Off Leakage Current	$V_{\text{NO}}$ , $V_{\text{NC}} = 4.5\text{V}$	-30		30	nA
$I_{\text{CC}}$	Quiescent Supply Current	$V_{CC} = 5.5\text{V}$ , $V_{\text{IN}} = 0\text{V OR } V_{CC}$			100	
$I_{\text{O}}$	Output Current	$V_{\text{NO}}$ , $V_{\text{NC}}$ or $V_{\text{COM}} = 0\text{V to } 5\text{V}$	80			mA
$V_{\text{IH}}$	Input High Voltage	Guaranteed Logic HIGH Level	2.0			V
$V_{\text{IL}}$	Input Low Voltage	Guaranteed Logic LOW Level	-0.5		0.8	
$I_{\text{IH}}$	Input High Current	$V_{CC} = \text{Max.}$ , $V_{\text{IN}} = V_{CC}$			$\pm 1$	$\mu\text{A}$
$I_{\text{IL}}$	Input Low Current	$V_{CC} = \text{Max.}$ , $V_{\text{IN}} = \text{GND}$			$\pm 1$	

## Dynamic Electrical Characteristics

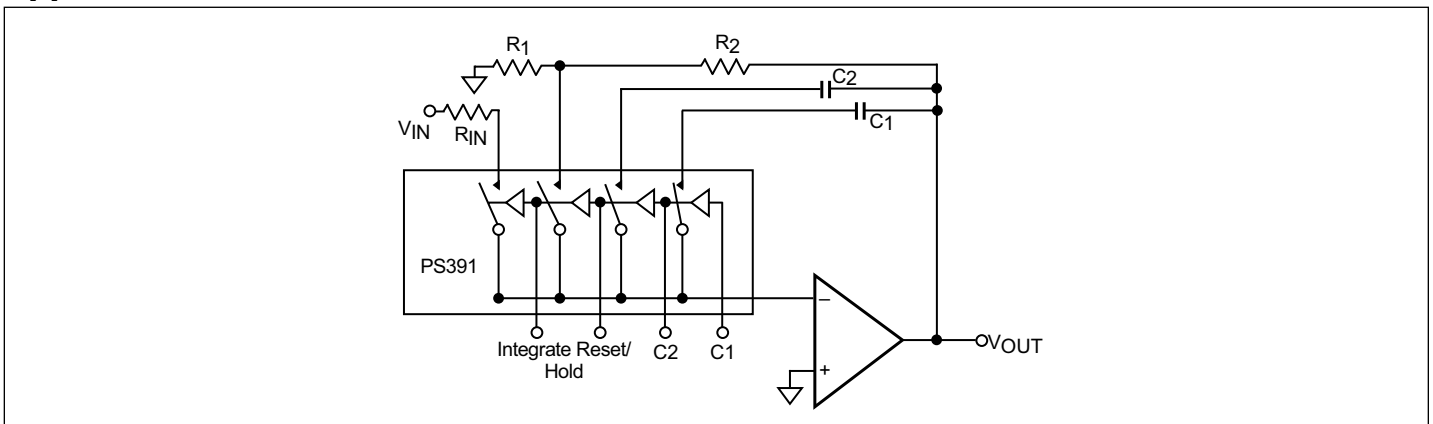
(Over the Operating Range,  $T_A = -40^{\circ}\text{C}$  to  $+85^{\circ}\text{C}$ ,  $V_{CC} = 5\text{V} \pm 10\%$ ,  $\text{GND} = 0\text{V}$ )

Parameters	Description	Test Conditions <sup>(1)</sup>	Min.	Typ.	Max.	Units
$t_{\text{ON}}$	Turn-on Time	$V_{\text{COM}} = 3.0\text{V}$ , see Figure 1		20	40	NS
$t_{\text{OFF}}$	Turn-off Time	$V_{\text{COM}} = 3.0\text{V}$ , see Figure 1		10	20	NS
$X_{\text{TALK}}$	Crosstalk	$R_L = 100\text{ ohm}$ , $f = 30\text{ MHz}$ , see Figure 4		-72		dB
$C_{\text{(OFF)}}$	NC or NO Capacitance	$f = 1\text{ kHz}$		15		pF
OIRR	Off Isolation	$R_L = 100\text{ ohm}$ , $f = 30\text{ MHz}$ , see Figure 5		-55		dB
BW	Bandwidth -3 dB	$R_L = 100\text{ ohm}$ , see Figure 3		190		MHz
D	Distortion $\Delta R_{\text{ON}}/R_L$ <sup>(2)</sup>	$R_L = 100\text{ ohm}$		2		%
Q	Charge Injection	$C_L = 1\text{ nF}$ , $V_{\text{Gen}} = 0\text{V}$		3	10	pC

### Notes:

- For conditions shown as Max or Min, use appropriate value specified under Electrical Characteristics for applicable device type.
- $\Delta R_{\text{ON}} = R_{\text{ON max}} - R_{\text{ON min}}$
- Flatness is defined as the difference between the maximum and minimum value of on-resistance as measured over the specified analog signal range.

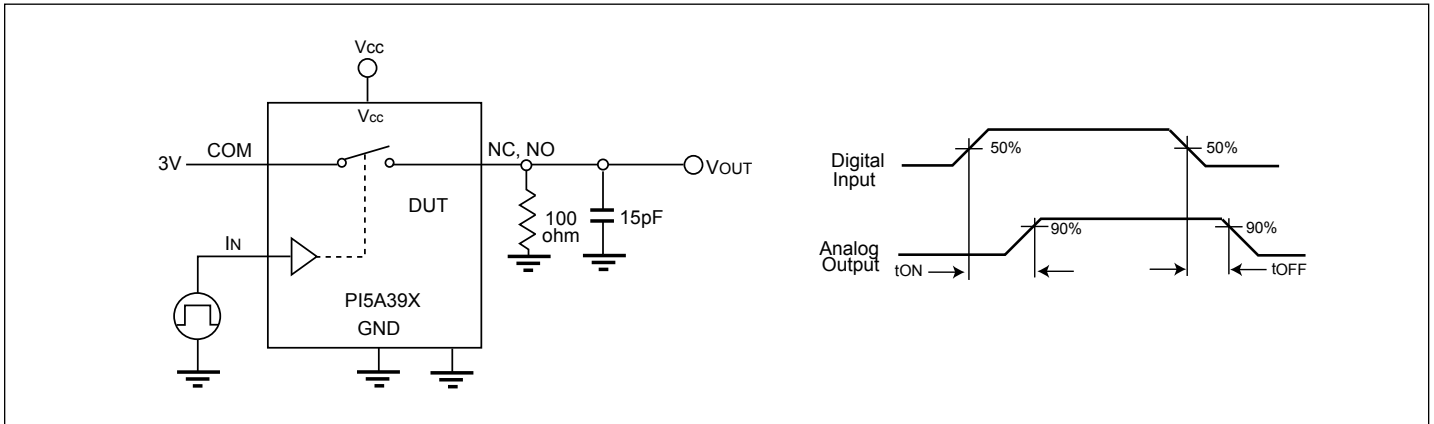
## Applications



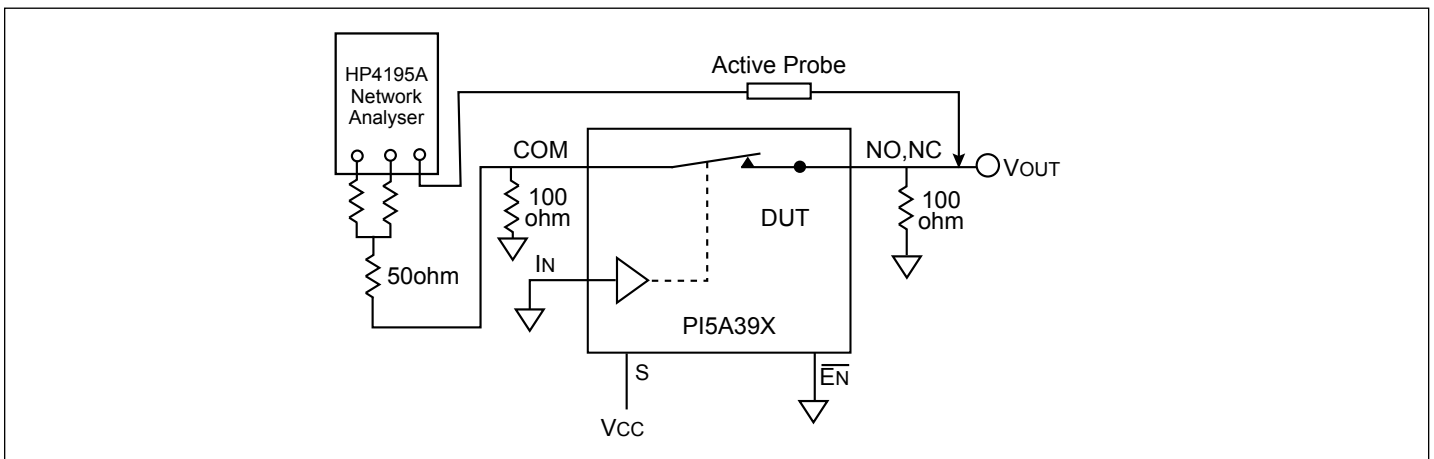
**Figure 1. Programmable Integrator and Sample/Hold**

The 5A39X can be used to insert various capacitors ( $C_1$ ,  $C_2$ ) and set proper RC times for integration. Resistors  $R_1$  and  $R_2$  set initial gain. The  $R_{\text{IN}}$  resistor X  $C_1$  or  $C_2$  sets the RC time. The reset switch discharges the hold capacitor through  $R_{\text{IN}}$ .

**Test Circuits**

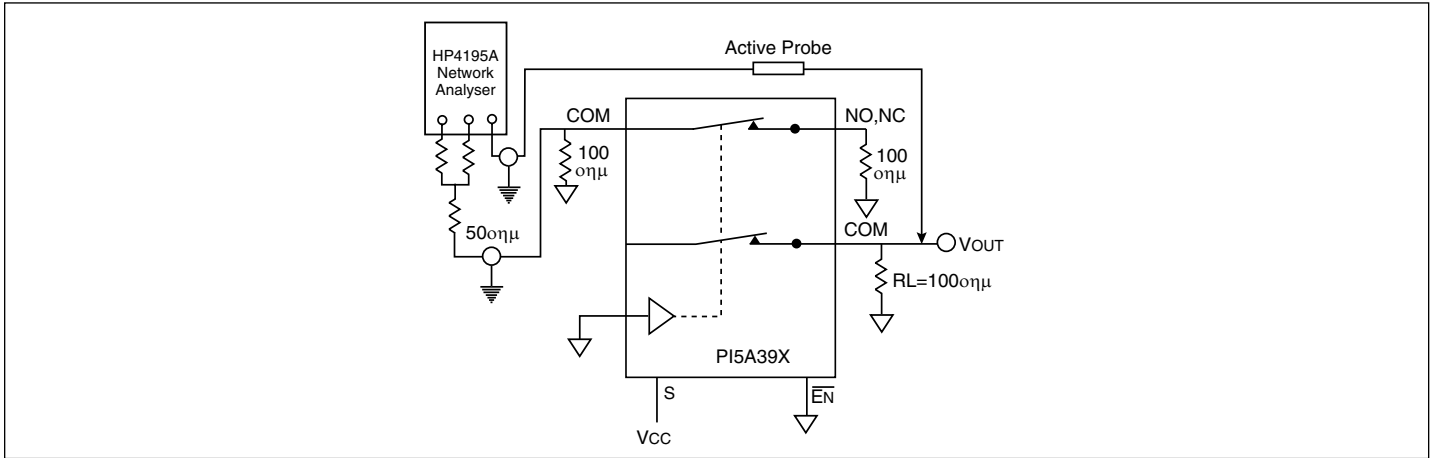


**Figure 2. Switching Time**

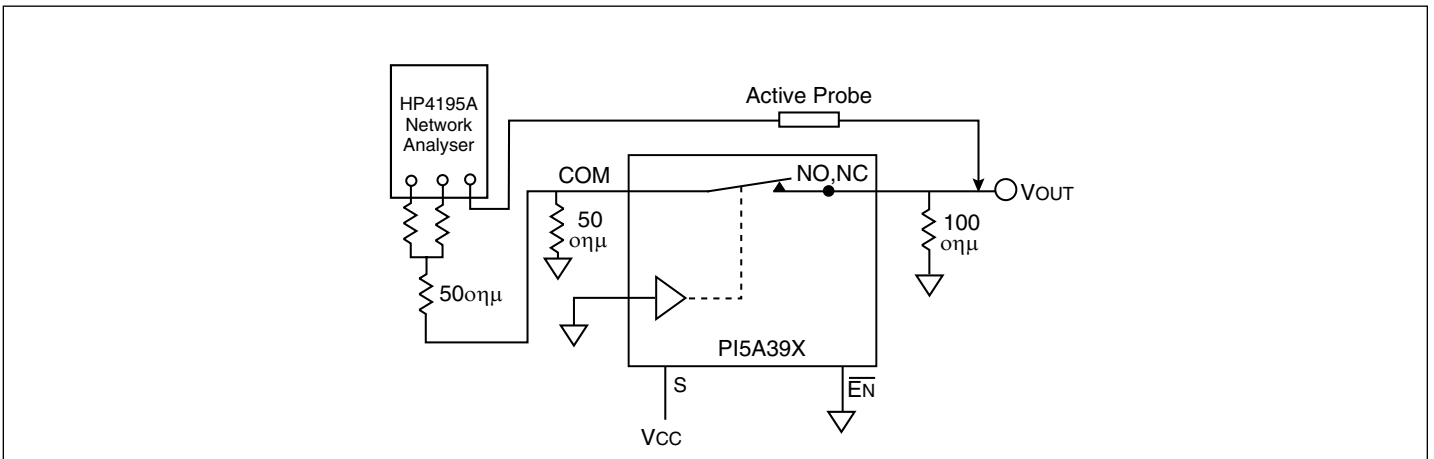


**Figure 3. Bandwidth**

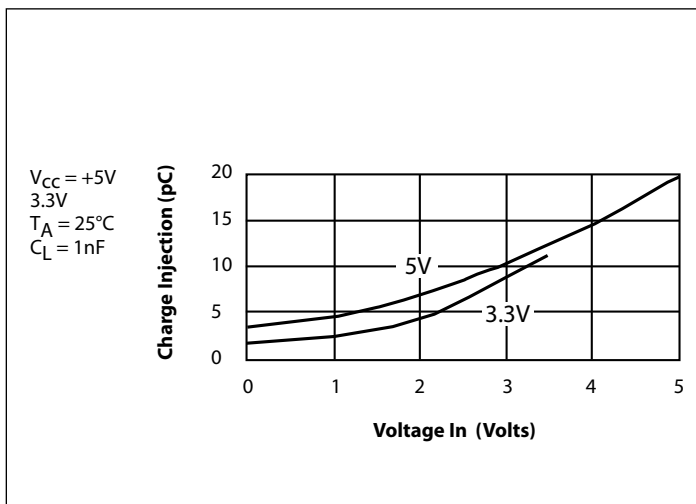
**Typical Operating Characteristics**



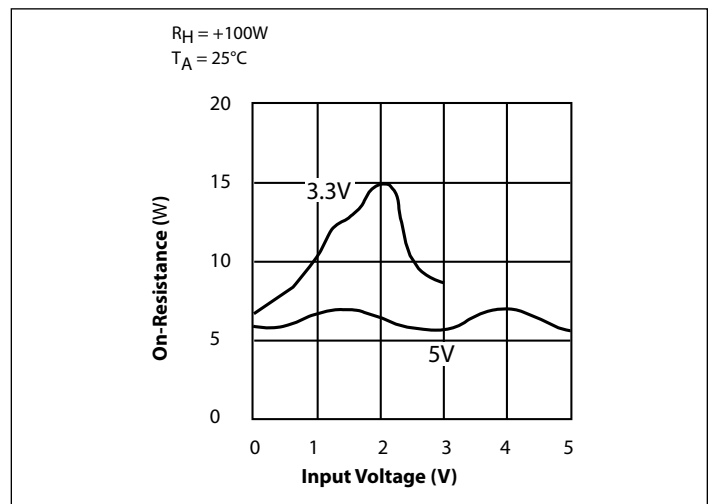
**Figure 4. Crosstalk**



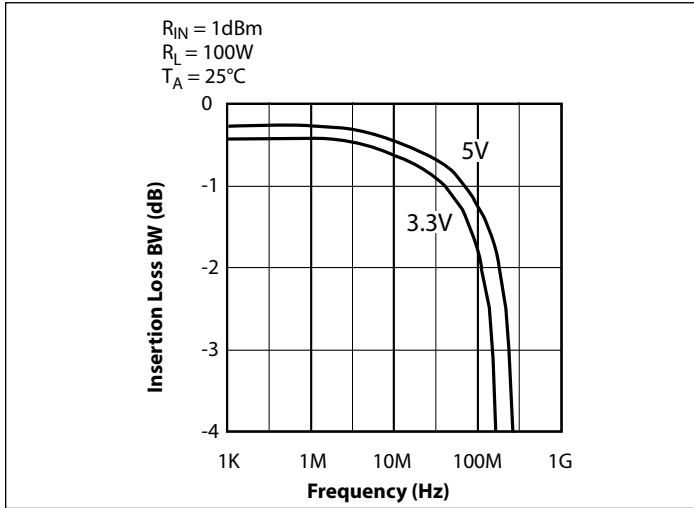
**Figure 5. Off Isolation**



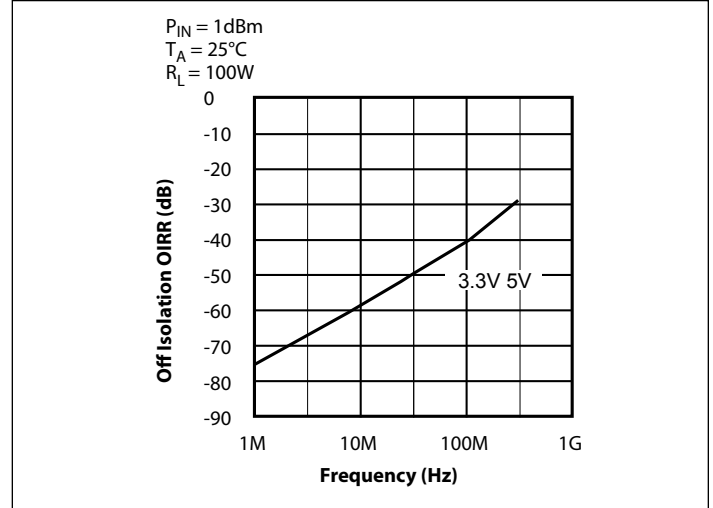
**Figure 6. Charge Injection vs Voltage In**



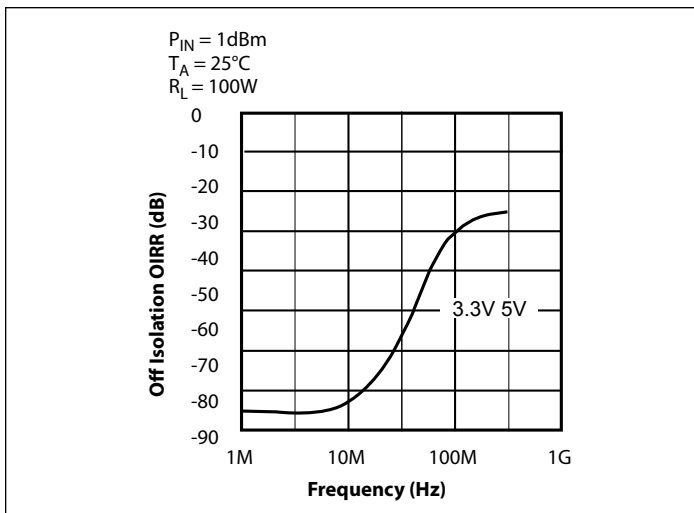
**Figure 7. On-Resistance vs Input Voltage**



**Figure 8. Insertion Loss vs Frequency**



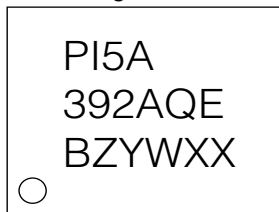
**Figure 9. Off Isolation vs Frequency**



**Figure 10. Crosstalk vs Frequency**

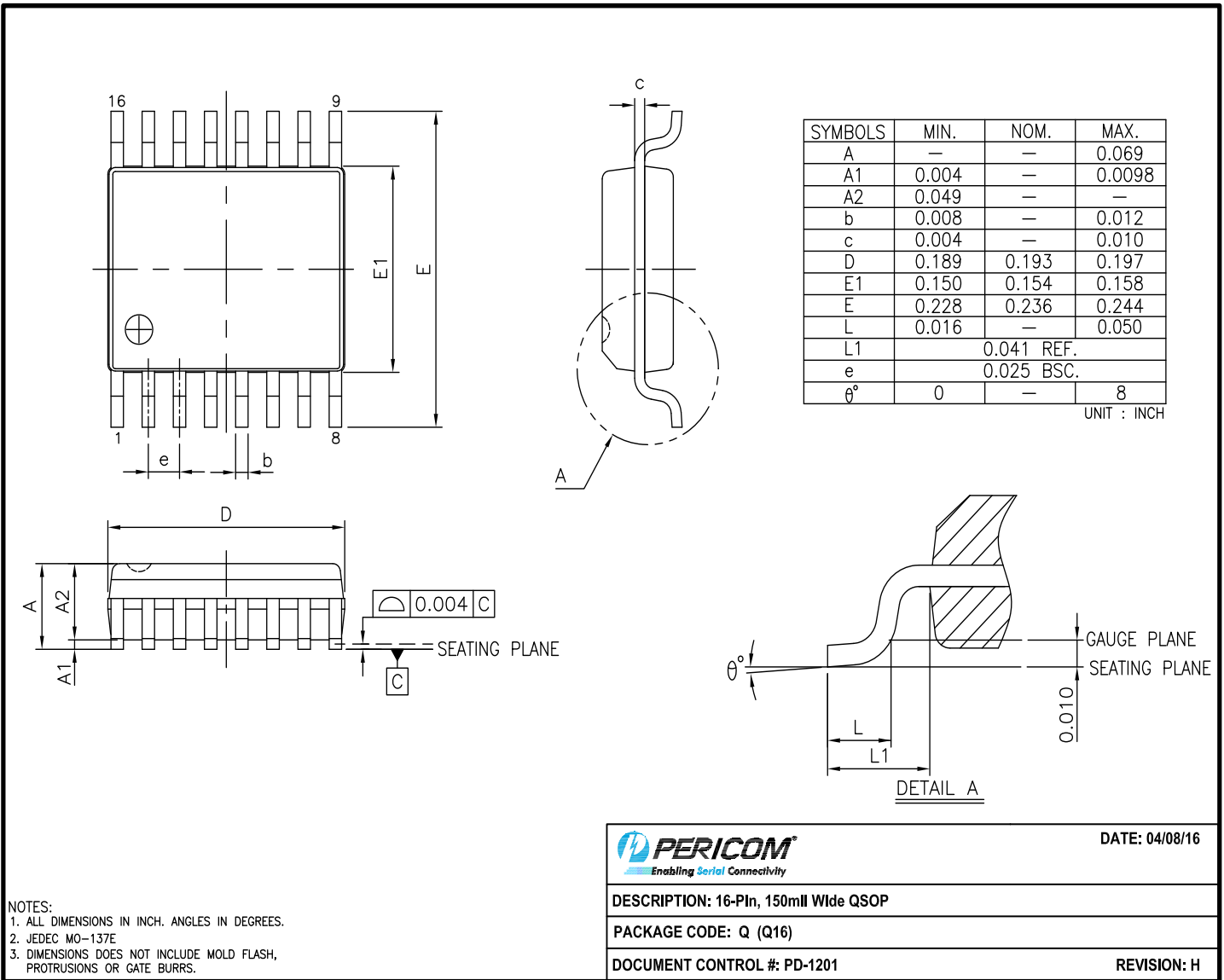
**Part Marking**

Q Package



B: Fab 2 Port Code  
Z: Die Rev Code  
Y: Year  
W: Workweek  
1st X: Assembly Code  
2nd X: Fab Code

**Packaging Mechanical: 16-QSOP (Q)**



16-0056

**For latest package info.**

please check: <http://www.diodes.com/design/support/packaging/pericom-packaging/packaging-mechanicals-and-thermal-characteristics/>

**Ordering Information**

Ordering Code	Package Code	Package Type	Operating Temperature
PI5A392AQEX	Q	16-pin 150-mil Wide (QSOP)	-40°C to +85°C

**Notes:**

1. EU Directive 2002/95/EC (RoHS), 2011/65/EU (RoHS 2) & 2015/863/EU (RoHS 3) compliant. All applicable RoHS exemptions applied.
2. See <http://www.diodes.com/quality/lead-free/> for more information about Diodes Incorporated's definitions of Halogen- and Antimony-free, "Green" and Lead-free. Thermal characteristics can be found on the company web site at [www.diodes.com/design/support/packaging/](http://www.diodes.com/design/support/packaging/)
3. E = Pb-free and Green
4. X suffix = Tape/Reel



#### IMPORTANT NOTICE

DIODES INCORPORATED MAKES NO WARRANTY OF ANY KIND, EXPRESS OR IMPLIED, WITH REGARDS TO THIS DOCUMENT, INCLUDING, BUT NOT LIMITED TO, THE IMPLIED WARRANTIES OF MERCHANTABILITY AND FITNESS FOR A PARTICULAR PURPOSE (AND THEIR EQUIVALENTS UNDER THE LAWS OF ANY JURISDICTION).

Diodes Incorporated and its subsidiaries reserve the right to make modifications, enhancements, improvements, corrections or other changes without further notice to this document and any product described herein. Diodes Incorporated does not assume any liability arising out of the application or use of this document or any product described herein; neither does Diodes Incorporated convey any license under its patent or trademark rights, nor the rights of others. Any Customer or user of this document or products described herein in such applications shall assume all risks of such use and will agree to hold Diodes Incorporated and all the companies whose products are represented on Diodes Incorporated website, harmless against all damages.

Diodes Incorporated does not warrant or accept any liability whatsoever in respect of any products purchased through unauthorized sales channel.

Should Customers purchase or use Diodes Incorporated products for any unintended or unauthorized application, Customers shall indemnify and hold Diodes Incorporated and its representatives harmless against all claims, damages, expenses, and attorney fees arising out of, directly or indirectly, any claim of personal injury or death associated with such unintended or unauthorized application.

Products described herein may be covered by one or more United States, international or foreign patents pending. Product names and markings noted herein may also be covered by one or more United States, international or foreign trademarks.

This document is written in English but may be translated into multiple languages for reference. Only the English version of this document is the final and definitive format released by Diodes Incorporated.

#### LIFE SUPPORT

Diodes Incorporated products are specifically not authorized for use as critical components in life support devices or systems without the express written approval of the Chief Executive Officer of Diodes Incorporated. As used herein:

A. Life support devices or systems are devices or systems which:

1. are intended to implant into the body, or

2. support or sustain life and whose failure to perform when properly used in accordance with instructions for use provided in the labeling can be reasonably expected to result in significant injury to the user.

B. A critical component is any component in a life support device or system whose failure to perform can be reasonably expected to cause the failure of the life support device or to affect its safety or effectiveness.

Customers represent that they have all necessary expertise in the safety and regulatory ramifications of their life support devices or systems, and acknowledge and agree that they are solely responsible for all legal, regulatory and safety-related requirements concerning their products and any use of Diodes Incorporated products in such safety-critical, life support devices or systems, notwithstanding any devices- or systems-related information or support that may be provided by Diodes Incorporated. Further, Customers must fully indemnify Diodes Incorporated and its representatives against any damages arising out of the use of Diodes Incorporated products in such safety-critical, life support devices or systems.

Copyright © 2016, Diodes Incorporated

[www.diodes.com](http://www.diodes.com)

# Mouser Electronics

Authorized Distributor

Click to View Pricing, Inventory, Delivery & Lifecycle Information:

[Diodes Incorporated:](#)

[PI5A392AQEX](#)