

HDMI 2.1 AOC

H1Si-v03 (H1-STD-Injection Mold-03 Version)

Rev. 0.3



Contents

1	DESCRIPTION.....	3
2	FEATURE.....	3
3	SPECIFICATION.....	4
4	PART NUMBER.....	5
5	APPLICATION.....	6
6	FIBERSPECIFICATION.....	7
7	CABLE DIMENSION.....	8

1 Description

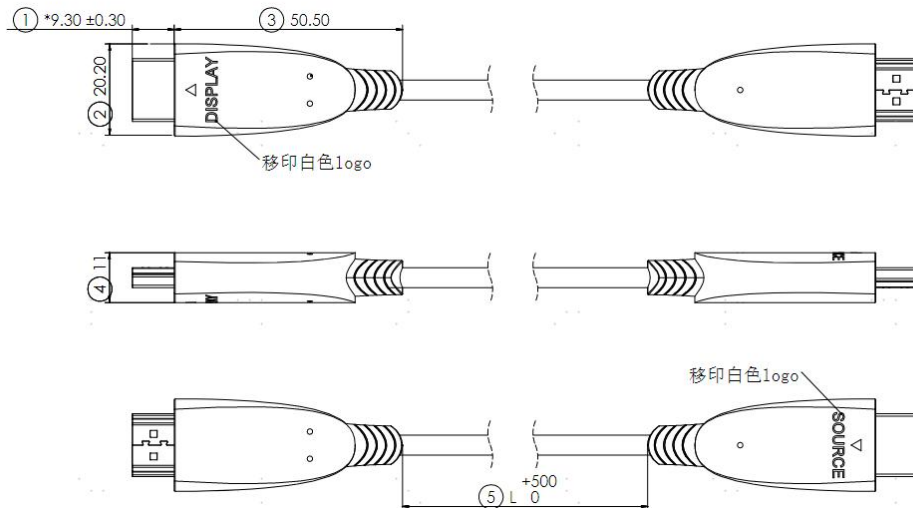
H1Si product is a HDMI2.1 active optical cable (AOC) with high bandwidth, low power consumption and low cost. Using optical fiber to replace copper wire as the high-speed signal transmission medium, H1Si can perfectly transmit 8k UHD image up to 200 meters. Compared with the traditional copper wire, H1Si AOC is much longer, softer, slimmer, with better signal quality and perfect EMI/EMC feature. Compared with other HDMI optical fiber transmission solution, H1Si AOC is easy to use, has perfect compatibility, and no external power supply needed.

2 Feature

- 1) Long distance transmission, up to 200 meters
- 2) HDMI2.1 standard, support up to 8k UHD display
- 3) Support HDCP2.2/2.3
- 4) Support eARC & CEC (Max: 20m)
- 5) Not support Ethernet
- 6) Plug and play without driver dependent
- 7) Thinner, lighter and softer than conventional copper cable
- 8) Highly resistant to EMI and RFI
- 9) No external power needed

3 Specification

Cable Length	
Up to 200m	
Interface	
HDMI type A plug - HDMI type A plug	
Bandwidth	
HDMI 2.1, 48Gbps, support 8k UHD display	
Power	
No external power needed	
Power Consumption	
<250mW	
Mechanical / Condition	
Cable diameter	4.4mm
Bend Radius (Dynamic/Static)	40mm/20mm
Tensile Strength (Long term/Short term)	100N/200N
Crush Resistance (Long term/Short term)	200N/400N
Operating / Storage Temp	0~50°C / -20~70°C



4 Part Number

Part Number	Description
EPH1Si-v03-XXX	EVERPRO HDMI 2.1 AOC, Type A male to male, Injection Mold, X=X meter, for example 020 =20 meter

5 Application

- 1) Home Theater
- 2) High definition Video Meeting System
- 3) Medical Video System
- 4) High definition Video Surveillance System
- 5) Digital Signage and TV Wall

Home Theater



HD video conference



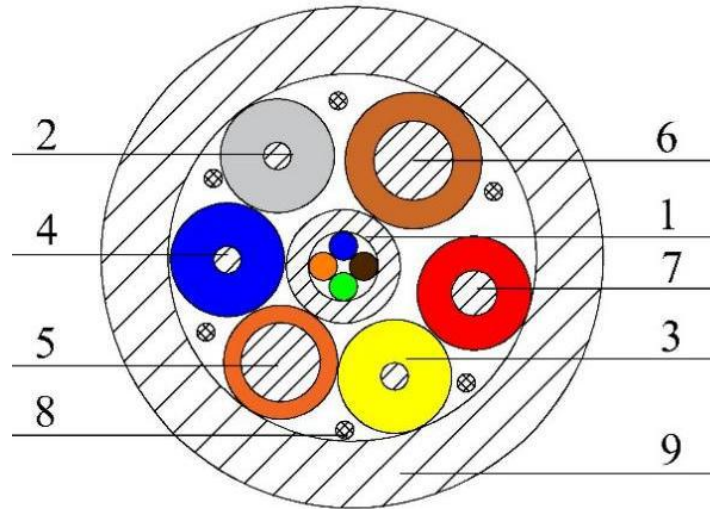
Outdoor large screen display system



Medical, military image system



6 Fiber Specification



Item	Contents	Value	Supplement
1、Sub cable	Tight Buffer Fibers	OM3 250 um Fiber	4 cores (Blue、Orange、Green、Brown)
	Sub sheath	White LSZH	PVC, OD 0.95±0.05mm ; Sub cable Jacket Thickness 0.15mm
2、CEC wire	32AWG	7*0.08 twisted wires	OD=1.0mm, Gray
3、SCL wire	32AWG	7*0.08 twisted wires	OD=1.0mm, Yellow
4、SDA wire	32AWG	7*0.08 twisted wires	OD=1.0mm, Blue
5、VCM wire	23AWG	15*0.15 twisted wires	OD=1.0mm, Orange
6、GND wire	23AWG	15*0.15 twisted wires	OD=1.2mm, Brown
7、Vbus	28AWG	7*0.127 twisted wires	OD=1.0mm, Red
8、Kevlar	/	6*1000D	/
9、Outer Jacket	Black PVC	Thickness 0.60±0.15mm	OD 4.4±0.20mm

Mouser Electronics

Authorized Distributor

Click to View Pricing, Inventory, Delivery & Lifecycle Information:

[Kaga FEI:](#)

[EPH1Si-v03-005](#)