

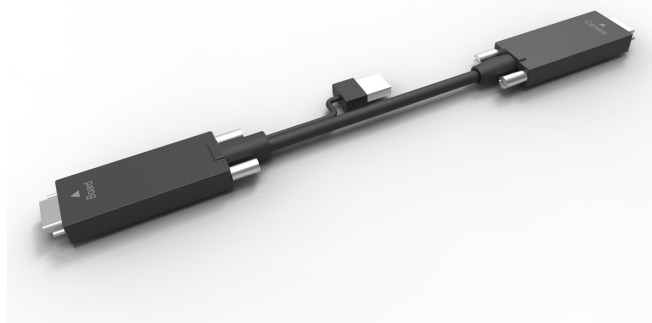
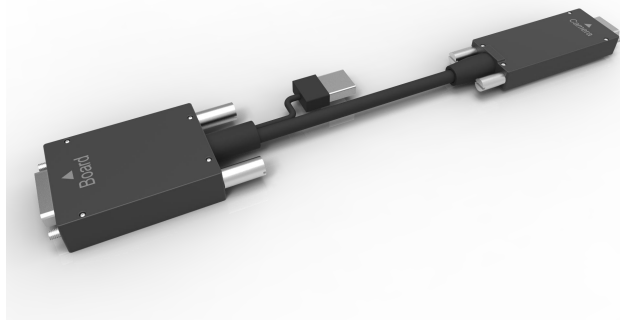


# Camera Link 2.1 AOC

---

## EPICLH1

Rev. 0.3



### Change History

<b>Rev</b>	<b>Date</b>	<b>Modification</b>	<b>Prepared by</b>
V0.1	07, 07, 2022	Initial release	Neil
V0.2	10,12,2022	The power supply mode update to Y cable, non-POCL mode.	Anna
V0.3	12,28,2022	Add the identifiers "Board" and "Camera" to the shell.	Anna

# Contents

目录

1 Description .....	4
2 Feature .....	4
3 Specification .....	5
4 Part Number .....	6
5 Fiber Specification .....	7
6 Cable Dimension .....	8

# 1 Description

ICLH1 is a Camera Link 2.1 High-flexible hybrid Active Optical Cable. The cable include 2 core optical fiber and 8 copper wire, the copper wire adopts the design of high flexible bending resistance, the jacket is adopted special PVC, the whole cable wear resistance bending. It can free wiring since the multiple lengths is available. ICLH1 also has lossless signal quality and perfect EMI/EMC feature. The high flexible cable of this product is suitable for machine vision and industrial camera using.

# 2 Feature

- 1) Long distance transmission, up to 40 meters
- 2) Camera Link version 2.1 (From A3 Vision standards)
- 3) Interface Host: MDR/SDR; Device side: SDR
- 4) Power support : Y Cable power supply, MDR (acquisition card) --SDR (camera)
- 5) >10 million cycle times bending test

# 3 Specification

---

**Cable Length**

---

Up to 40m

---

**Interface**

---

SDR M (lead out connector) -SDR M, SDR M (lead out connector) -MDR M

---

**Bandwidth**

---

Full+ configuration up to 6800Mbps

---

**Power Supply**

---

Y Cable , MDR (acquisition card) --SDR (camera), DATA 1: 5V-400mA, DATA 2: 5V-600mA

---

**Power Consumption**

---

DATA 1: 2W, DATA 2: 3W

---

**Mechanical / Condition**

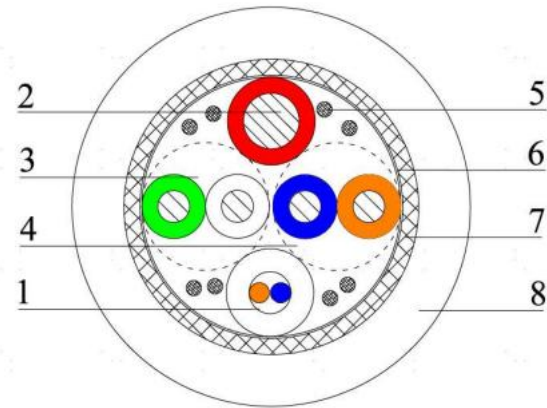
---

Cable diameter	5.6mm
Bend Radius (Dynamic/Static)	75mm/40mm (IEC-60794-1-21)
Tensile Strength (Long term/Short term)	200N (IEC-60794-1-21)
Crush Resistance (Long term/Short term)	200N/100mm (IEC-60794-1-21)
Operating / Storage Temp	0°C ~+50°C / -20°C ~+70°C

# 4 Part Number

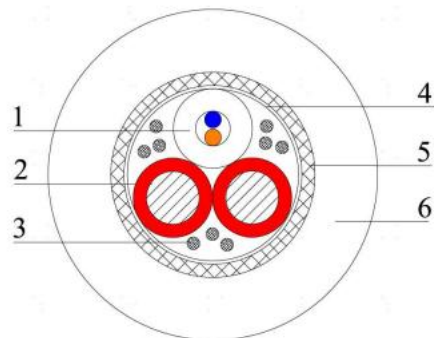
Part Number	Description
EPICLHBN-M1S1K020M	Camera Link 2.1 Hybrid AOC, Host: MDR Male with locking screws, Device side: SDR Male with locking screws, (Camera Link DATA 1) Hybrid high flexibility active cable, non-PoCL, Metal Housing, XXX=XXX meter, for example, 020=20 meter
EPICLHFN-M1S1K020M	Camera Link 2.1 Hybrid AOC, Host: MDR Male with locking screws, Device side: SDR Male with locking screws, (Camera Link DATA 2) Hybrid high flexibility active cable, non-PoCL, Metal Housing, XXX=XXX meter, for example, 020=20 meter
EPICLHBN-S1S1K020M	Camera Link 2.1 Hybrid AOC, Host: SDR Male with locking screws, Device side: SDR Male with locking screws, (Camera Link DATA 1) Hybrid high flexibility active cable, non-PoCL, Metal Housing, XXX=XXX meter, for example, 020=20 meter
EPICLHFN-S1S1K020M	Camera Link 2.1 Hybrid AOC, Host: SDR Male with locking screws, Device side: SDR Male with locking screws, (Camera Link DATA 2) Hybrid high flexibility active cable, non-PoCL, Metal Housing, XXX=XXX meter, for example, 020=20 meter

# 5 Fiber Specification



1. 子缆    2.Vbus 铜线    3. UTP 线 白&绿    4. UTP 线 蓝&橘  
5. 芳纶    6. 棉纸    7. 编织    8. 外被

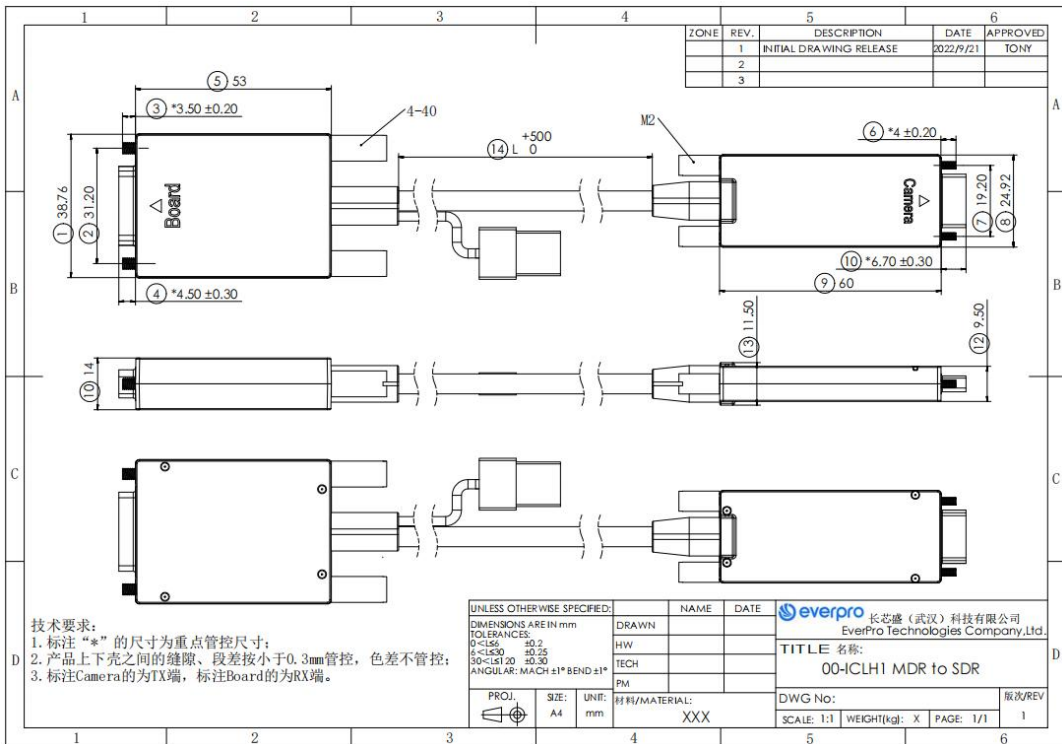
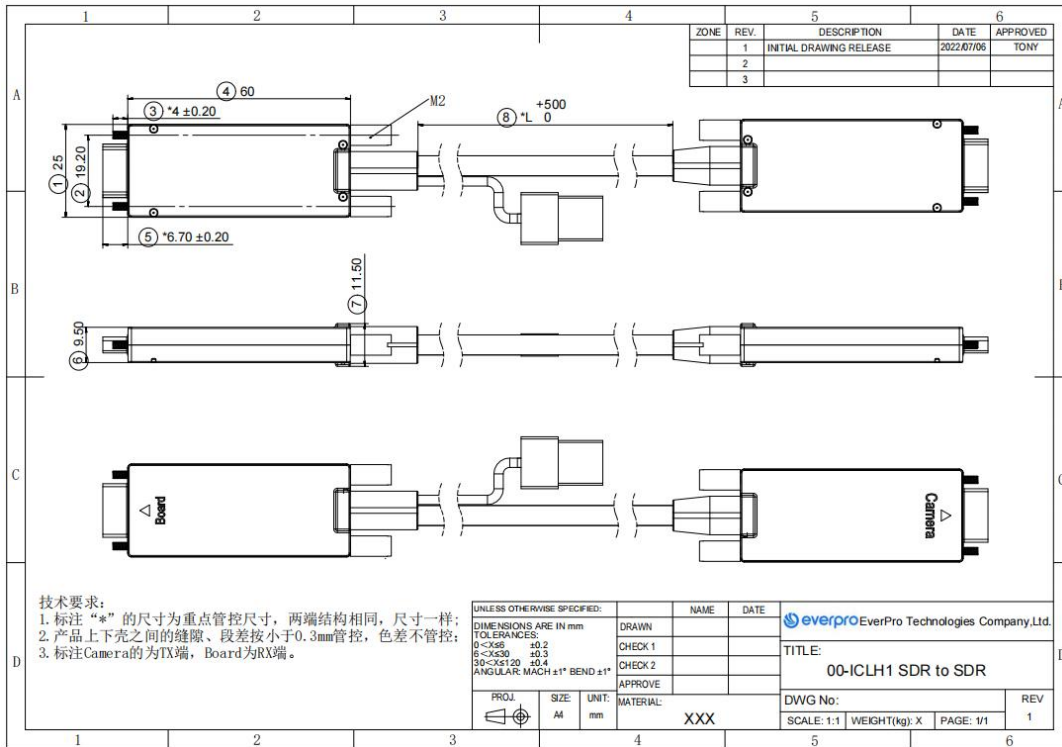
## DATA 1



1. 子缆    2.Vbus 铜线    3. 芳纶    4. 铝箔    5. 编织    6. 外被

## DATA 2

# 6 Cable Dimension





# Mouser Electronics

Authorized Distributor

Click to View Pricing, Inventory, Delivery & Lifecycle Information:

[Kaga FEI:](#)

[EPICLHBN-M1S1K010M](#) [EPICLHBN-S1S1K010M](#)