



NEIO-B1603

## Main Features

- ◆ Finger-safe wiring cover
- ◆ Detachable screw terminals
- ◆ Rotational pin-assignment marks
- ◆ On-module LED indicators
- ◆ User-friendly wiring label
- ◆ Multiple mounting methods
- ◆ 1 x RS 232/422/485
- ◆ 3 x RS 422/485

## Product Overview

NEIO-B1603 is an EtherCAT to serial conversion module which supports half-duplex and full-duplex communication modes. It offers one RS-232/422/485 and three RS-RS-422/485 interfaces. The transmission speed on NEIO-B1603 module is up to 115.2kbps. NEIO-B1603 can automatically detect the communication mode without setting any jumper and switch. Users can easily and quickly use this module to bridge their existing serial devices to the EtherCAT control network. All of the NEIO modules are provided with high isolation protection, and verified by the EtherCAT conformance test tool. Therefore NEIO is a reliable module to implement in your applications.

## Specifications

### COM Port

- ◆ Port type
  - 1 x RS 232/422/485
  - 3 x RS 422/485
- ◆ Data bits : 5, 6, 7, 8
- ◆ Stop bits: 1, 1.5, 2
- ◆ Parity: none, even, odd, space, mark
- ◆ Flow control: RTS/CTS and DTR/DSR (RS-232 only), XON/XOFF
- ◆ Baud rate: 0.3~115.2kbps

### Communication

- ◆ Protocol : EtherCAT
- ◆ Bus interface: 2 x RJ-45
- ◆ Media: Ethernet cable (min. CAT5), shielded
- ◆ Distance between stations: maximum. 100m (100BASE-TX)
- ◆ Data transfer rate: 100M baud

### Power Requirements

- ◆ DC 24V  $\pm$ 20% with over-voltage and reversed-voltage protection
- ◆ Power consumption: 6 W

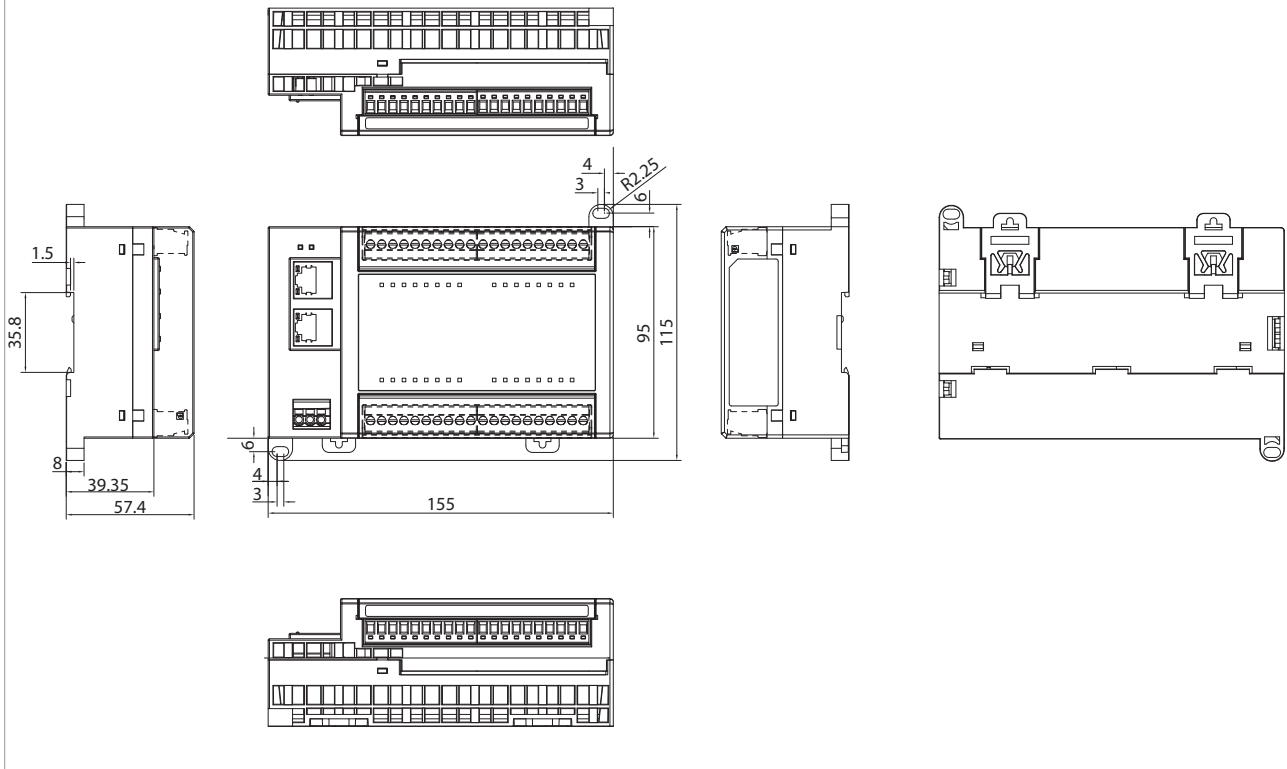
### Common Section

- ◆ Electrical isolation: 2.5 kV (power contact)
- ◆ Operating temperature: 0°C~55°C
- ◆ Storage temperature: -40°C~85°C
- ◆ Relative humidity: 5~95%, non-condensation, non-operating
- ◆ Shock: IEC 60068-2-27
- ◆ Vibration: IEC 60068-2-6, IEC 60068-2-64
- ◆ Enclosure type rating: IP20
- ◆ Mounting type: din-rail (35mm), wall-mount
- ◆ Dimensions (mm): 155 x 115 x 57.4 (W x H x D)

### Certifications

- ◆ CE
- ◆ FCC Class A

## Dimension Drawing



## Ordering Information

- ♦ **NEIO-B1603 (P/N: 10J80160300X0)**  
4 COM ports EtherCAT slave module
- ♦ **AC to DC din rail power supply (P/N: 7440060001X00)**  
60 W 24V/2.5A for NISE

# Mouser Electronics

Authorized Distributor

Click to View Pricing, Inventory, Delivery & Lifecycle Information:

[Nexcom:](#)

[10J80160300X0](#)