



## 659 SERIES Watertight Panel Mount Indicators

### MECHANICAL / SPECIFICATIONS

MOUNTING HOLE SIZE:  
0.500" (12.7mm)

MAX PANEL THICKNESS:  
0.450" (11.43mm)

MOUNTING TORQUE:  
5 in.-lbs.

VOLTAGE OPTIONS:  
Single color: 6-60VDC  
Bi- and Tri-color: 6-30VDC

OPERATING TEMPERATURE:  
-40°C to +85°C

STORAGE TEMPERATURE:  
-40°C to +100°C

ELECTRICAL CONNECTION:  
18AWG anti-capillary wire

HOUSING:  
Polycarbonate (UL 94V-0)

WIRE LEADS:  
6" - Wire color is same as LED color;  
Black wire is common

LOCK WASHER:  
White nickel - Plate bronze

NUT:  
White nickel - Plated brass

### CERTIFICATIONS & RATINGS

RoHS Compliant  
NEMA 4X  
IP67

### FEATURES & BENEFITS

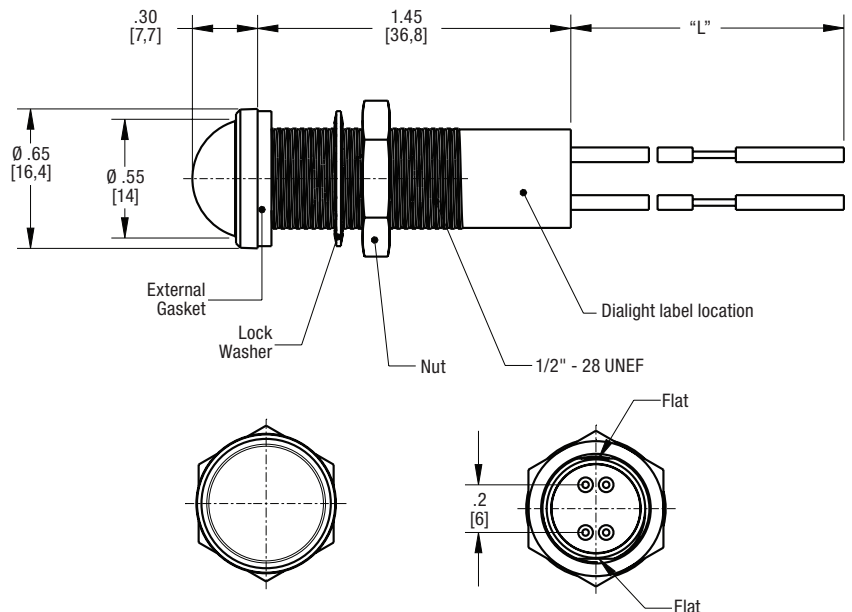
- RoHS compliant
- NEMA 4X
- IP67
- Variable voltage
- Constant intensity

### APPLICATION

The 659 Series LED panel mount indicators are designed with a highly-durable watertight housing. These indicators are designed for a variety of applications such as:

- Industrial control systems and machinery
- Maritime equipment
- Renewable energy systems
- EV charging
- Transportation infrastructure

### DIMENSIONS inches [mm]



ORDERING INFORMATION

Part Number	LED Color	Lens Color	Typ. If (mA)	Typ. VF (VDC)	Typ. Intensity (mcd)			
<b>Single Color</b>								
<a href="#">659-2506-103F</a>	● Red	Red	28mA	6-60VDC	2200			
<a href="#">659-2606-103F</a>	● Green	Green			7000			
<a href="#">659-2706-103F</a>	● Yellow	Yellow			2200			
<a href="#">659-2806-103F</a>	● Blue	Blue			1000			
<b>Bi-Color</b>								
<a href="#">659-2415-303F</a>	● Red	White Diffused	20mA	6-30VDC	1000			
	● Green				2100			
<a href="#">659-2425-303F</a>	● Red				1000			
	● Blue				400			
<a href="#">659-2435-303F</a>	● Green				2100			
	● Yellow				1000			
<a href="#">659-2455-303F</a>	● Red				1000			
	● Yellow				1000			
<a href="#">659-2465-303F</a>	● Green				2100			
	● Blue				400			
<b>Tri-Color</b>								
<a href="#">659-2485-303F</a>	● Red				White Diffused	20mA	6-30VDC	1000
	● Green	2100						
	● Blue	400						
<a href="#">659-2495-303F</a>	● Red	1000						
	● Green	2100						
	● Yellow	1000						



Dialight reserves the right to make changes at any time in order to supply the best product possible. The most current version of this document will always be available at: [www.dialightsignalsandcomponents.com](http://www.dialightsignalsandcomponents.com)

Warranty Statement: Except for the warranty expressly provided for at: [www.dialight.com/resources/warranties/](http://www.dialight.com/resources/warranties/), Dialight disclaims any and all other warranties, express or implied, including, without limitation, any warranties of merchantability, fitness for a particular purpose, title, and noninfringement.

# Mouser Electronics

Authorized Distributor

Click to View Pricing, Inventory, Delivery & Lifecycle Information:

[Dialight:](#)

[659-2806-103F](#) [659-2415-303F](#) [659-2706-103F](#) [659-2425-303F](#) [659-2435-303F](#) [659-2455-303F](#) [659-2465-303F](#)  
[659-2606-103F](#) [659-2495-303F](#) [659-2506-103F](#) [659-2485-303F](#)