



## 625 SERIES

# 16mm Heavy Duty Tri-Color Panel Mount Indicators

### MECHANICAL / SPECIFICATIONS

MOUNTING HOLE SIZE:  
.637" (16.2mm)

MAX PANEL THICKNESS:  
.197" (5mm)

MOUNTING TORQUE:  
7.01 lbs-ft (9.5 Nm)

OPERATING VOLTAGE:  
3VDC, 12VDC, 24VDC

OPERATING TEMP:  
-40°C - 70°C (-40°F - 158°F)

STORAGE TEMP:  
-40°C - 70°C (-40°F - 158°F)

ELECTRICAL CONNECTION:  
22AWG UL1007 rated wire or terminals  
Common cathode

HOUSING:  
Stainless steel

TERMINALS:  
Gold plated brass terminals  
that accept 20-26AWG wire

NUTS:  
Stainless steel

### CERTIFICATIONS & RATINGS

RoHS compliant  
IP67  
IK10

### FEATURES & BENEFITS

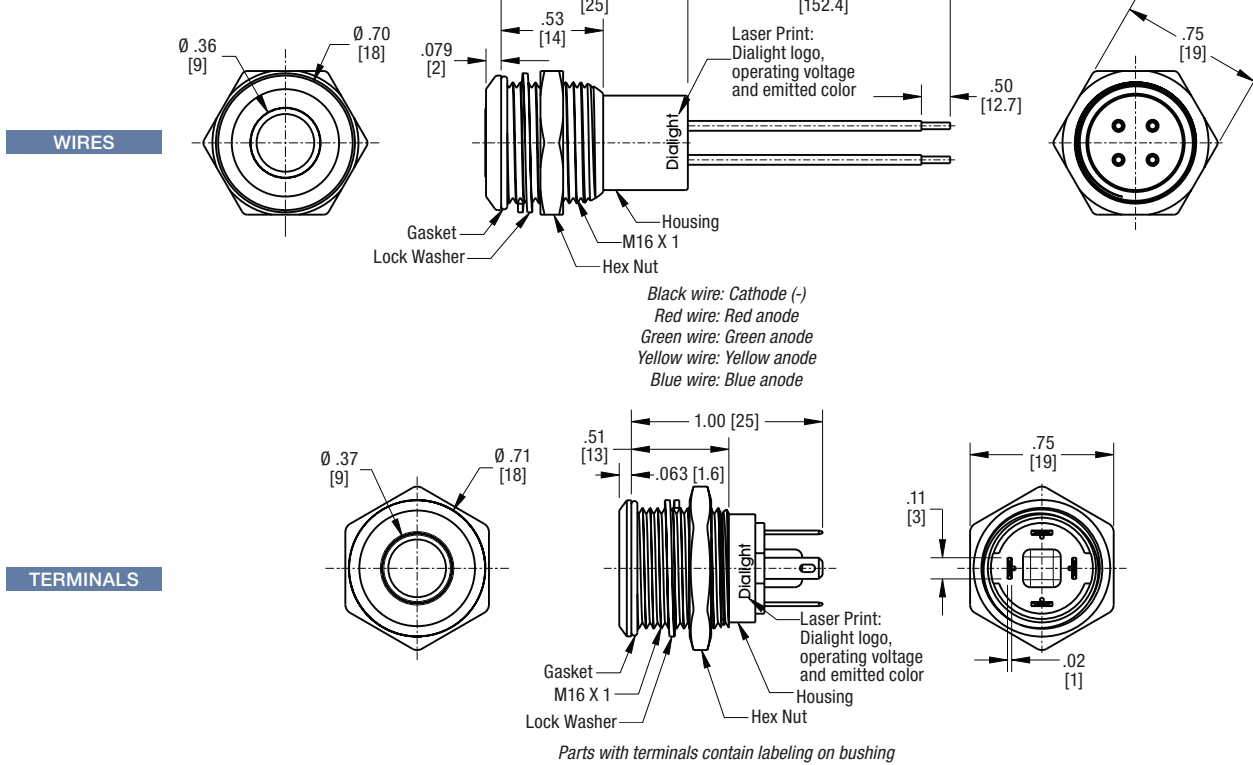
- RoHS compliant
- IP67 rating
- IK10 rating
- RGY and RGB options
- Transparent or diffused lens options

### APPLICATION

The 625 Series Heavy Duty LED Panel Mount Indicators are elegantly designed for a high-end aesthetic paired with sturdy construction. These indicators are nonmagnetic, corrosion resistant for both indoor and outdoor use, and secured to prevent dirt, dust, and water penetration. Ideal for a variety of applications such as:

- Main power indication
  - Remote power indication
  - Status indication
  - Maintenance and warning indication
  - Instrumentation
- ... and many more!

DIMENSIONS inches [mm]



ORDERING INFORMATION

WIRES

Part Number	Color	Voltage (VDC)	Lens	Current (mA)	Typical Intensity (mcd)
<a href="#">625-1121-307F</a>	● Red ● Green ● Blue	3V	Diffused, Flat	15mA	200
<a href="#">625-1123-307F</a>		12V			500
<a href="#">625-1124-307F</a>		24V			200
<a href="#">625-1141-307F</a>	● Red ● Green ● Yellow	3V			200
<a href="#">625-1143-307F</a>		12V			500
<a href="#">625-1144-307F</a>		24V			200

TERMINALS

Part Number	Color	Voltage (VDC)	Lens	Current (mA)	Typical Intensity (mcd)
<a href="#">625-1121-314F</a>	● Red ● Green ● Blue	3V	Transparent, Flat	15mA	3000
<a href="#">625-1123-314F</a>		12V			5000
<a href="#">625-1124-314F</a>		24V			1000
<a href="#">625-1141-314F</a>	● Red ● Green ● Yellow	3V			3500
<a href="#">625-1143-314F</a>		12V			2500
<a href="#">625-1144-314F</a>		24V			3000



Dialight reserves the right to make changes at any time in order to supply the best product possible. The most current version of this document will always be available at: [www.dialightsignalsandcomponents.com](http://www.dialightsignalsandcomponents.com)

Warranty Statement: Except for the warranty expressly provided for at: [www.dialight.com/resources/warranties/](http://www.dialight.com/resources/warranties/), Dialight disclaims any and all other warranties, express or implied, including, without limitation, any warranties of merchantability, fitness for a particular purpose, title, and noninfringement.

# Mouser Electronics

Authorized Distributor

Click to View Pricing, Inventory, Delivery & Lifecycle Information:

[Dialight:](#)

[625-1143-307F](#) [625-1141-307F](#) [625-1143-314F](#) [625-1141-314F](#) [625-1124-314F](#) [625-1121-314F](#) [625-1123-314F](#)  
[625-1144-307F](#) [625-1144-314F](#) [625-1123-307F](#) [625-1124-307F](#) [625-1121-307F](#)