



## 515 SERIES

# Vertical Board Mount OPTOPIPE® Light Pipes

3mm Diameter Output

### MECHANICAL / SPECIFICATIONS

MOUNTING HOLE SIZE:  
0.063" (1.6 mm)

MIN. PANEL THICKNESS:  
0.063" (1.60mm)

OPERATING TEMPERATURE:  
-30°C to +100°C (-22°F to +212°F)

STORAGE TEMPERATURE:  
-30°C to +100°C (-22°F to +212°F)

### CERTIFICATIONS & RATINGS

RoHS compliant

### FEATURES & BENEFITS

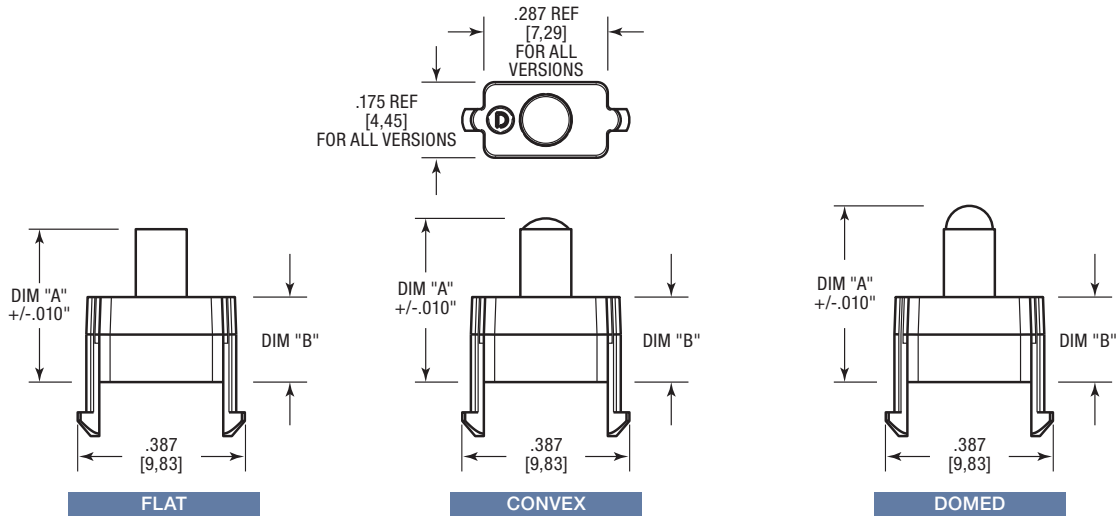
- Lengths varying from .250" to 1.250"
- Three lens styles for optimal viewing angles; flat, convex, and domed
- Designed for both single and multi-color LEDs
- Positive snap-in mounting to .063" ± .007" (1.6 ± 0.178 mm) PCB with opaque light barrier
- Low-voltage and minimal power consumption
- Light is produced through photonic emission, not as a by-product of a radiating heat source
- Molded from RoHS compliant UL94-V0 water clear polycarbonate with an oxygen index of 35%
- Designed to be used with Dialight PLCC-2 and PLCC-4 surface mount LEDs 597-XXXX-207NF (pad layout shown). See the [Surface Mount Selector Guide](#) for LED operating characteristics. Lower profile surface mount LEDs in 598 and 597 series can be used as well as reverse mount LEDs. Please consult factory for availability.

### APPLICATION

Dialight vertical board mount OPTOPIPE® light pipes provide an excellent solution for products that contain a PCB that is parallel to the panel in need of indication. These UL94-V0 water clear polycarbonate light pipes are secured to the PCB using a custom snap-fit base that is easy to install. Vertical light pipes are ideal for building automation and other industrial applications. Dialight's OPTOPIPE® light pipes provide a great way to efficiently transfer light.

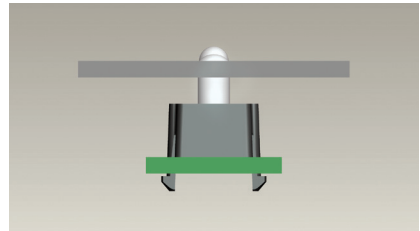
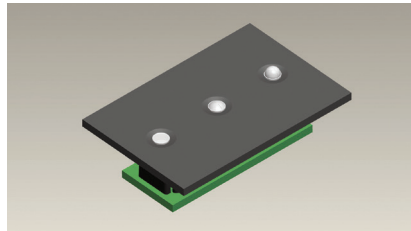
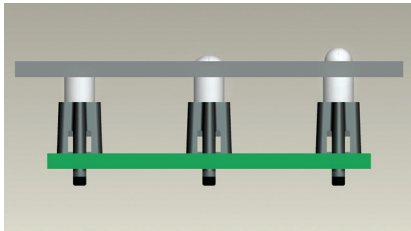
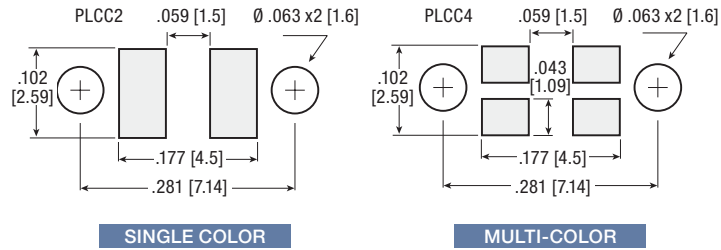
**DIMENSIONS** inches [mm]

Standard tolerance of +/- .005" [.127] applies unless otherwise specified.



**RECOMMENDED SOLDER PAD AND THROUGH HOLE LAYOUT**

Tolerance: +/- .002" [.051]



**ORDERING INFORMATION**

**FLAT LENS**

Part Number			Dim "A"	Dim "B"
PLCC or PLCC4 LED	Chip LED	Reverse Mount LED		
<b>Clear</b>				
<a href="#">515-1192-00250F</a>	<a href="#">515-1192-10250F</a>	<a href="#">515-1192-20250F</a>	.250 [6.35]	.197 [5.0]
<a href="#">515-1192-00300F</a>	<a href="#">515-1192-10300F</a>	<a href="#">515-1192-20300F</a>	.300 [7.62]	.197 [5.0]
<a href="#">515-1192-00350F</a>	<a href="#">515-1192-10350F</a>	<a href="#">515-1192-20350F</a>	.350 [8.89]	.197 [5.0]
<a href="#">515-1192-00400F</a>			.400 [10.16]	.197 [5.0]
<a href="#">515-1192-00450F</a>	<a href="#">515-1192-10450F</a>	<a href="#">515-1192-20450F</a>	.450 [11.43]	.197 [5.0]
<a href="#">515-1192-00550F</a>	<a href="#">515-1192-10550F</a>	<a href="#">515-1192-20550F</a>	.550 [13.97]	.375 [9.53]
<a href="#">515-1192-00600F</a>			.600 [15.24]	.375 [9.53]
<a href="#">515-1192-00630F</a>	<a href="#">515-1192-10630F</a>	<a href="#">515-1192-20630F</a>	.630 [16.00]	.375 [9.53]
<a href="#">515-1192-00800F</a>	<a href="#">515-1192-10800F</a>	<a href="#">515-1192-20800F</a>	.800 [20.32]	.375 [9.53]
<a href="#">515-1192-00900F</a>	<a href="#">515-1192-10900F</a>	<a href="#">515-1192-20900F</a>	.900 [22.86]	.375 [9.53]
<a href="#">515-1192-01000F</a>	<a href="#">515-1192-11000F</a>	<a href="#">515-1192-21000F</a>	1.000 [25.4]	.375 [9.53]

**Diffused**

<a href="#">515-1192-00250DF</a>	<a href="#">515-1192-10250DF</a>		.250 [6.35]	.197 [5.0]
<a href="#">515-1192-00350DF</a>			.350 [8.89]	.197 [5.0]
<a href="#">515-1192-00550DF</a>			.550 [13.97]	.375 [9.53]

**DOMED LENS**

Part Number	Dim "A"	Dim "B"
PLCC or PLCC4 LED		
<b>Clear</b>		
<a href="#">515-1194-00300F</a>	.300 [7.62]	.197 [5.0]
<a href="#">515-1194-00350F</a>	.350 [8.89]	.197 [5.0]
<a href="#">515-1194-00450F</a>	.450 [11.43]	.197 [5.0]
<a href="#">515-1194-00709F</a>	.709 [18.01]	.375 [9.53]
<a href="#">515-1194-01000F</a>	1.000 [25.4]	.375 [9.53]
<a href="#">515-1194-01169F</a>	1.169 [29.69]	.375 [9.53]

Part Number		Dim "A"	Dim "B"
PLCC or PLCC4 LED	Chip LED		
<b>Diffused</b>			
<a href="#">515-1194-00300DF</a>	<a href="#">515-1194-10300DF</a>	.300 [7.62]	.197 [5.0]
<a href="#">515-1194-00350DF</a>	<a href="#">515-1194-10350DF</a>	.350 [8.89]	.197 [5.0]
	<a href="#">515-1194-10450DF</a>	.450 [11.43]	.197 [5.0]
<a href="#">515-1194-00512DF</a>		.512 [13]	.197 [5.0]
<a href="#">515-1194-00610DF</a>		.610 [15.49]	.375 [9.53]
<a href="#">515-1194-00630DF</a>		.630 [16.00]	.375 [9.53]
<a href="#">515-1194-00650DF</a>		.650 [16.51]	.375 [9.63]
	<a href="#">515-1194-10800DF</a>	.800 [20.32]	.375 [9.63]
<a href="#">515-1194-01169DF</a>		1.169 [29.69]	.375 [9.63]

**CONVEX LENS**

Part Number	Dim "A"	Dim "B"
PLCC or PLCC4 LED		
<b>Clear</b>		
<a href="#">515-1193-00300F</a>	.300 [7.62]	.197 [5.0]
<a href="#">515-1193-00350F</a>	.350 [8.89]	.197 [5.0]
<a href="#">515-1193-00450F</a>	.450 [11.43]	.197 [5.0]
<a href="#">515-1193-00550F</a>	.550 [13.97]	.375 [9.53]
<a href="#">515-1193-00630F</a>	.630 [16.00]	.375 [9.53]
<a href="#">515-1193-00800F</a>	.800 [20.32]	.375 [9.53]
<a href="#">515-1193-00900F</a>	.900 [22.86]	.375 [9.53]
<a href="#">515-1193-01000F</a>	1.000 [25.4]	.375 [9.53]
<b>Diffused</b>		
<a href="#">515-1193-00450DF</a>	.450 [11.43]	.197 [5.0]



Dialight reserves the right to make changes at any time in order to supply the best product possible. The most current version of this document will always be available at: [www.dialightsignalsandcomponents.com](http://www.dialightsignalsandcomponents.com)

Warranty Statement: Except for the warranty expressly provided for at: [www.dialight.com/resources/warranties/](http://www.dialight.com/resources/warranties/), Dialight disclaims any and all other warranties, express or implied, including, without limitation, any warranties of merchantability, fitness for a particular purpose, title, and noninfringement.

# Mouser Electronics

Authorized Distributor

Click to View Pricing, Inventory, Delivery & Lifecycle Information:

[Dialight:](#)

[515-1194-1030-0DF](#) [515-1194-1080-0DF](#) [515-1194-0030-0DF](#) [515-1194-0063-0DF](#) [515-1194-0035-0DF](#) [515-1194-0116-9DF](#) [515-1192-0035-0DF](#) [515-1194-1045-0DF](#) [515-1194-1035-0DF](#) [515119400650DF](#)