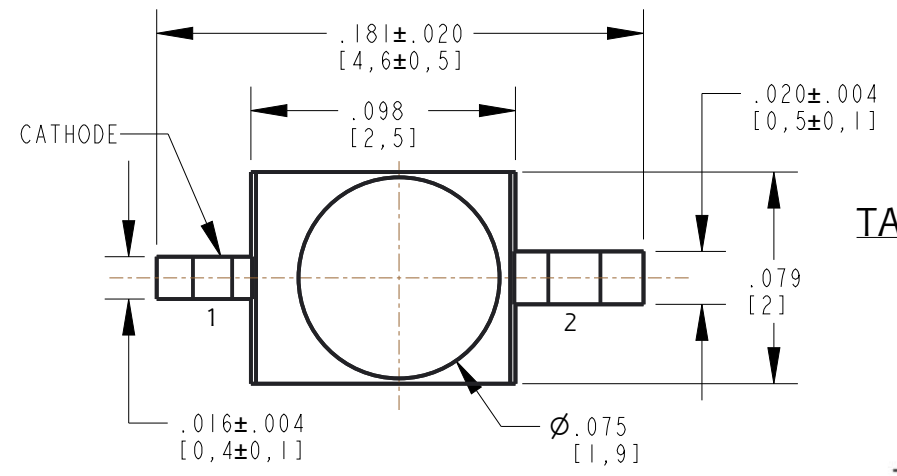


DIALIGHT PART NO.	LED COLOR	LENS COLOR
521-8750F	SUPER RED	WATER CLEAR

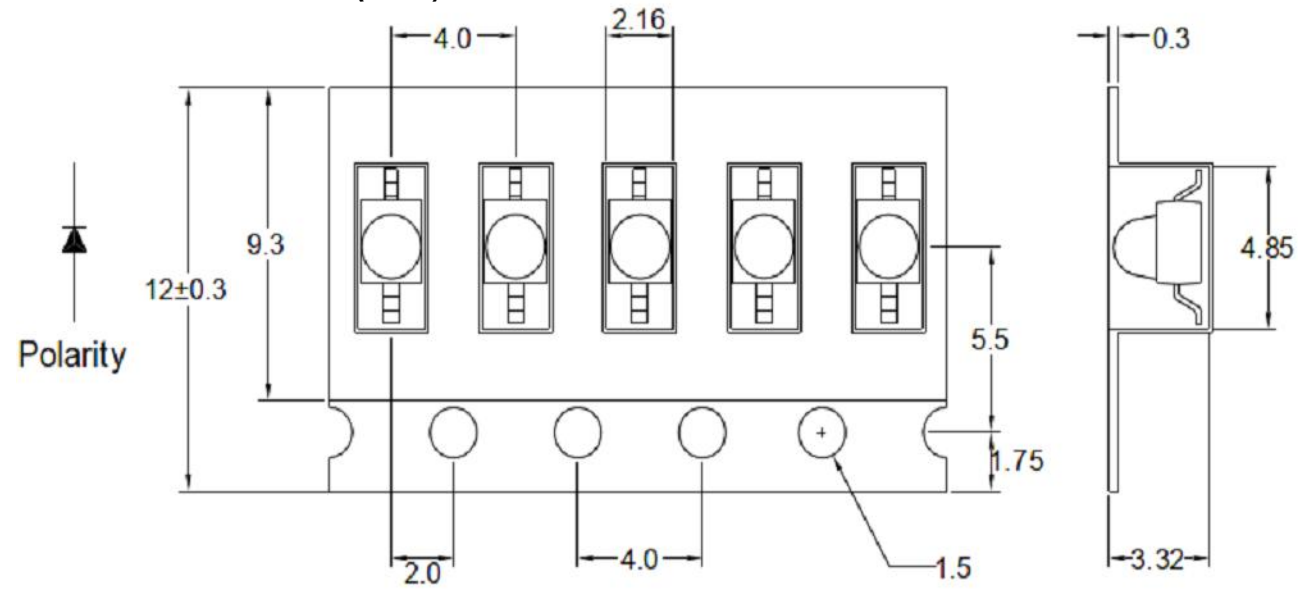
NOTES:

- PARTS ARE TO BE SUPPLIED IN 12mm CARRIER TAPE ON 7" REEL
1500 PCS PER REEL.
- PIN NUMBERS ARE FOR REFERENCE ONLY, DESIGNATION NON-EXISTENT ON PART.
- THIS ASSEMBLY CONTAINS ELECTROSTATIC DISCHARGE SENSITIVE DEVICES (ESDS). MAINTAIN ALL PRECAUTIONARY MEASURES DURING ASSEMBLY, HANDLING AND STORAGE IN ACCORDANCE WITH IPC-A-610.
- THIS PRODUCT IS RoHS COMPLIANT. EACH BAG IS TO BE MARKED WITH RoHS COMPLIANT LABEL OR EQUIVALENT MARKINGS. LED MUST BE Pb FREE.
- MOISTURE SENSITIVITY LEVEL IS 1.

REV	ECN NO	REVISIONS	DRN	CKD	APP	QA	CM	DATE
A	12228	NEW RELEASE	LD	CS				9-13-24
B	126072	REVISED NOTE 5, MSL WAS 2	LD	CS				1-7-25



TAPE DIMENSION (mm)

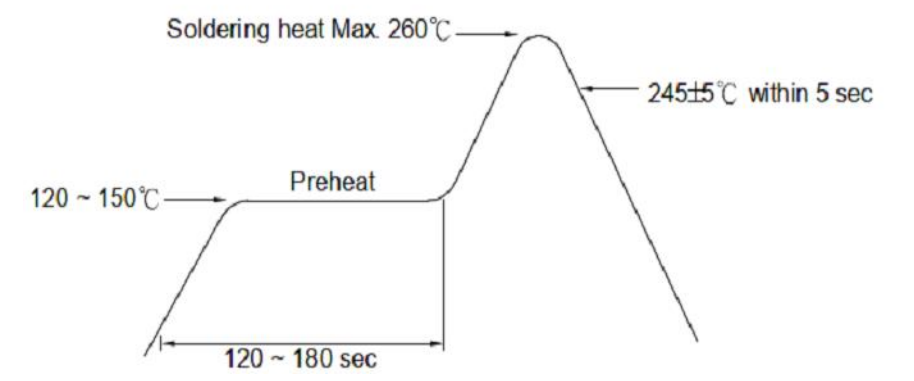


ABSOLUTE MAXIMUM RATINGS AT 25°C							
LED COLOR	POWER DISSIPATION (mW)	FORWARD CURRENT (mA)	PEAK FORWARD CURRENT *(mA)	REVERSE VOLTAGE (V)	ELECTROSTATIC DISCHARGE (V)	OPERATING TEMPERATURE (°C)	STORAGE TEMPERATURE (°C)
SUPER RED	120	50	100	5	2000	-40 TO +85	-40 TO +100

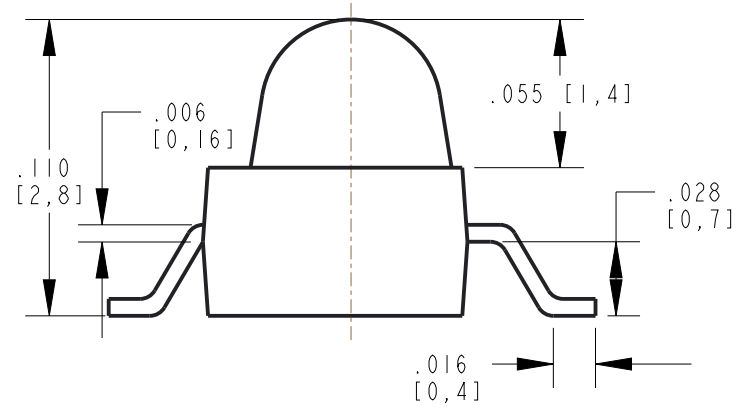
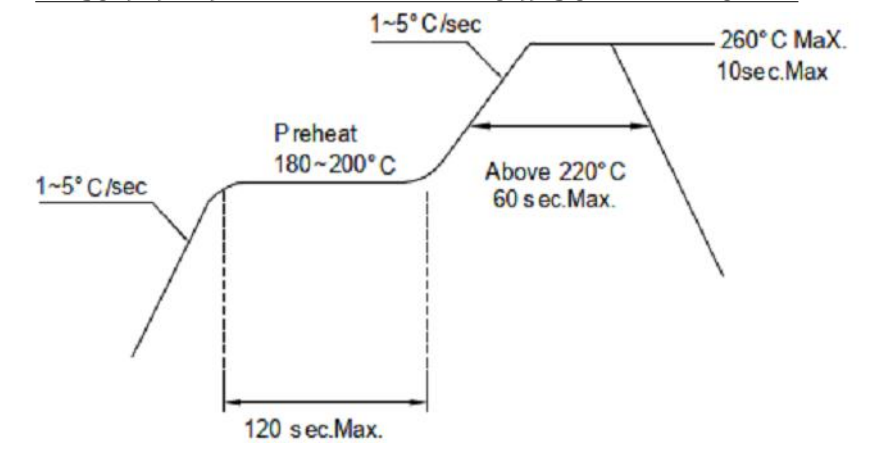
*PEAK FORWARD CURRENT : DUTY 1/10@10KHz

ELECTRICAL OPTICAL CHARACTERISTICS AT 25°C										
LED COLOR	TEST CONDITION	LUMINOUS INTENSITY (mcd)			DOMINANT WAVELENGTH (nm)	SPECTRAL LINE HALF-WIDTH (nm)	FORWARD VOLTAGE (V)		REVERSE CURRENT (µA)	VIEWING ANGLE (DEG)
		I _F (mA)	MIN.	TYP.			MAX.	MIN.		
SUPER RED	20	3400	6200	11500	620	20	1.5	2.4	10@5V	20

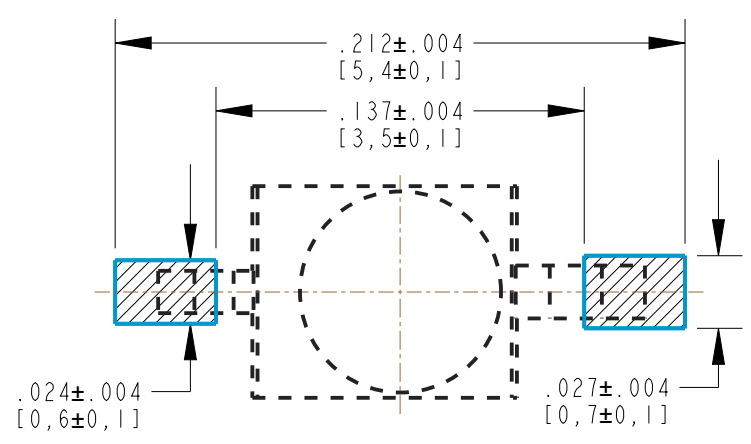
RECOMMENDED WAVE SOLDER PROFILE



RECOMMENDED PB-FREE REFLOW SOLDER PROFILE



LED SCHEMATIC



RECOMMENDED PAD LAYOUT



ATTENTION:
OBSERVE PRECAUTIONS FOR
HANDLING ELECTROSTATIC
SENSITIVE DEVICES

THIS DRAWING AND THE CONTENTS HEREIN ARE CONFIDENTIAL AND THE SOLE PROPERTY OF DIALIGHT CORP. REPRODUCTION OF THIS DRAWING OR CONSTRUCTION OF ANY PARTS WITHIN THIS DRAWING ARE FORBIDDEN WITHOUT THE WRITTEN CONSENT OF DIALIGHT CORP.		
DIALIGHT CORP INTERNAL REFERENCE ONLY = 3D MODEL : 450052187XX30-.1		
SCALE: 14.000	DRAWING NUMBER	REV
ALL DIM's: INCH (mm)	C-18782	B
TOLERANCES: UNLESS OTHERWISE SPECIFIED	TITLE	
FRACTIONS: ±1/64	1.9mm GULLWING LED SUPER RED	
DECIMALS (.XX): ±.01	MATERIAL	
DECIMALS (.XXX): ±.005	—	
DECIMALS (.XXXX): ±.0005	FINISH	
ANGLES: ±1°	—	
FSCM 83330	Dialight	
	1501 ROUTE 34 SOUTH FARMINGDALE, NJ 07727 (732) 919-3119 www.dialight.com	
SHEET 1 OF 1	FAMILY TABLE:	

Mouser Electronics

Authorized Distributor

Click to View Pricing, Inventory, Delivery & Lifecycle Information:

[Dialight:](#)

[521-8750F](#)