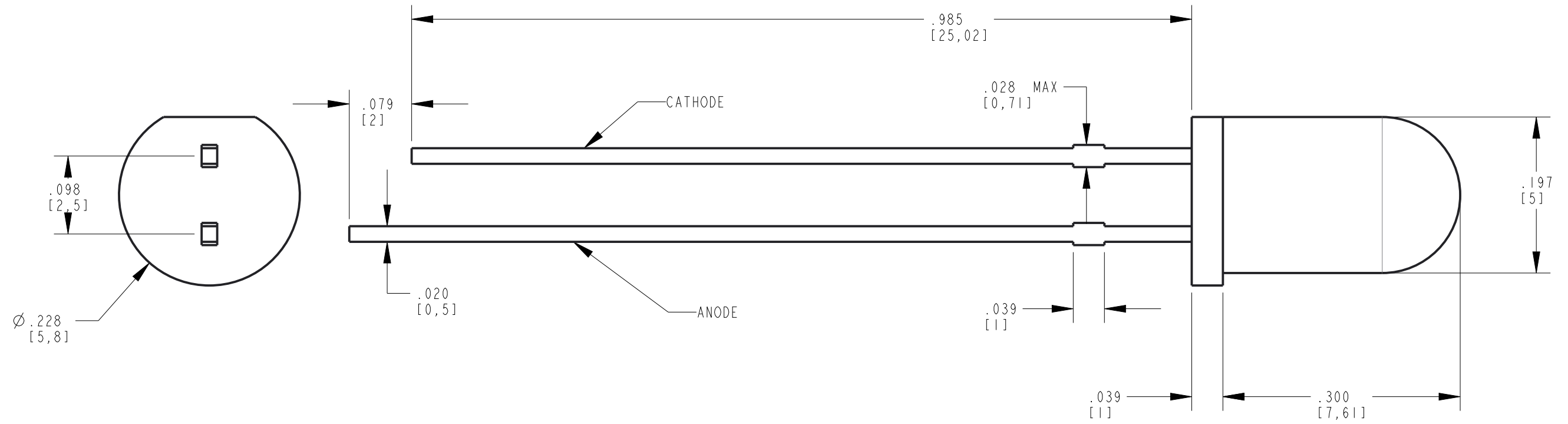


REV	ECN NO	REVISIONS	DRN	CKD	APP	QA	CM	DATE
A	127925	NEW RELEASE	LD	CS				2-26-25



NOTES:

- DIALIGHT PART NO: 521-8718F
- THIS ASSEMBLY CONTAINS ELECTROSTATIC DISCHARGE SENSITIVE DEVICES (ESDS). MAINTAIN ALL PRECAUTIONARY MEASURES DURING ASSEMBLY, HANDLING, AND STORAGE IN ACCORDANCE WITH IPC-A-610.
- THIS PRODUCT IS RoHS COMPLIANT. EACH BAG IS TO BE MARKED WITH RoHS COMPLIANT LABEL OR EQUIVALENT MARKINGS. LED MUST BE Pb FREE.

OPERATING CHARACTERISTICS AT 25°C AMBIENT


LED COLOR	LUMINOUS INTENSITY (mcd) @ I _F =20mA			FORWARD VOLTAGE (V) @ I _F =20mA			DOMINANT WAVELENGTH (nm)		REVERSE CURRENT V _R =5V (uA)	VIEWING ANGLE (deg)
	MIN	TYP	MAX	MIN	TYP	MAX	MIN	MAX	MAX	TYP
BLUE	3000	—	9400	2.8		3.4	460	470	10	30

ABSOLUTE MAXIMUM RATINGS AT 25°C AMBIENT

	VALUE	UNITS
POWER DISSIPATION	100	mW
PEAK FORWARD CURRENT (1/10 DUTY CYCLE, 0.1ms PULSE WIDTH)	50	mA
CONTINUOUS FORWARD CURRENT	30	mA
REVERSE VOLTAGE	5	V
LEAD SOLDERING TEMPERATURE [1.6mm (.063") FROM BODY] FOR 5 SEC.	260	°C
OPERATING TEMPERATURE	-40 TO +85	°C
STORAGE TEMPERATURE	-40 TO +85	°C

THIS DRAWING AND THE CONTENTS HEREIN ARE CONFIDENTIAL AND THE SOLE PROPERTY OF DIALIGHT CORP. REPRODUCTION OF THIS DRAWING OR CONSTRUCTION OF ANY PARTS WITHIN THIS DRAWING ARE FORBIDDEN WITHOUT THE WRITTEN CONSENT OF DIALIGHT CORP.

DIALIGHT CORP INTERNAL REFERENCE ONLY = 3D MODEL : 4500521871829-A.6

SCALE: 7.000	DRAWING NUMBER	REV
ALL DIM'S: INCH (mm)	C-18801	A
TOLERANCES: UNLESS OTHERWISE SPECIFIED	TITLE	
FRACTIONS: ±1/64	5MM THRU HOLE BLUE LED	
DECIMALS (.XX): ±.01	MATERIAL	
DECIMALS (.XXX): ±.005		
DECIMALS (.XXXX): ±.0005		
ANGLES: ±1°		
FINISH		
FSCM 83330	 1501 ROUTE 34 SOUTH FARMINGDALE, NJ 07727 (732) 919-3119 www.dialight.com	
	SHEET 1 OF 1	FAMILY TABLE:

Mouser Electronics

Authorized Distributor

Click to View Pricing, Inventory, Delivery & Lifecycle Information:

[Dialight:](#)

[521-8718F](#)