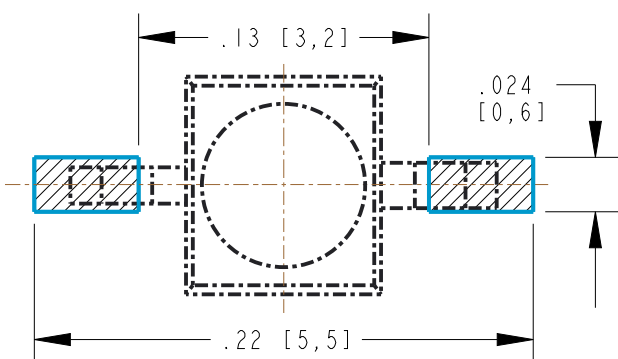
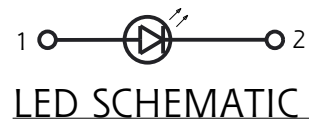
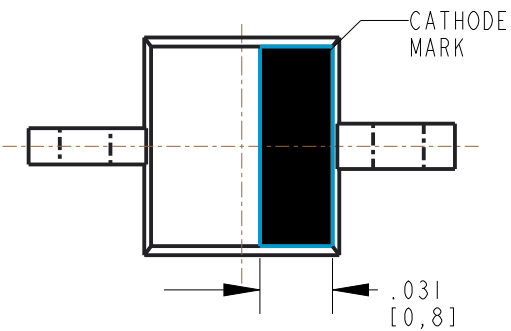
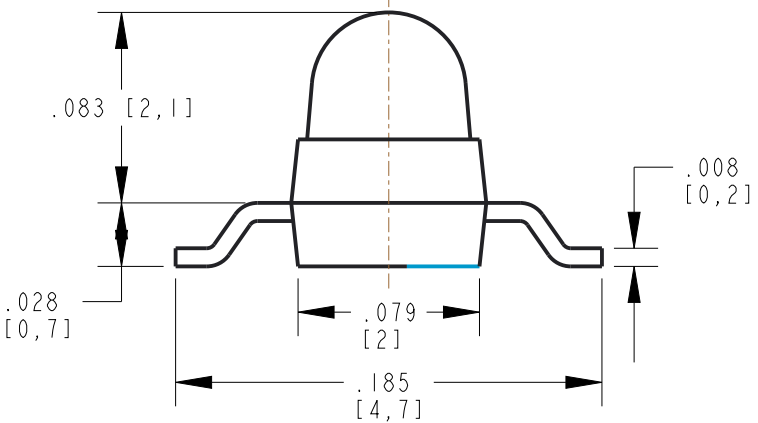
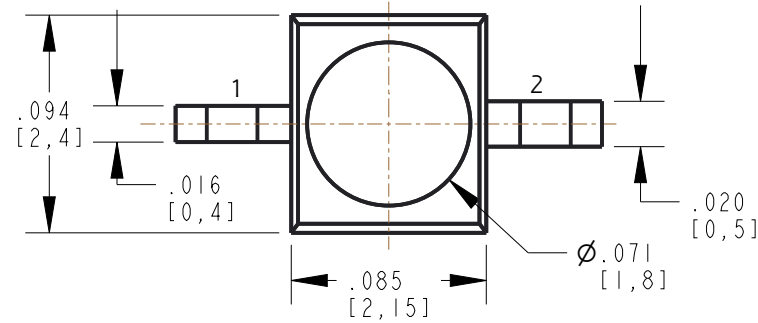


DIALIGHT PART NO.	LED COLOR	LENS COLOR
521-8754F	WHITE	YELLOW TRANSPARENT

NOTES:

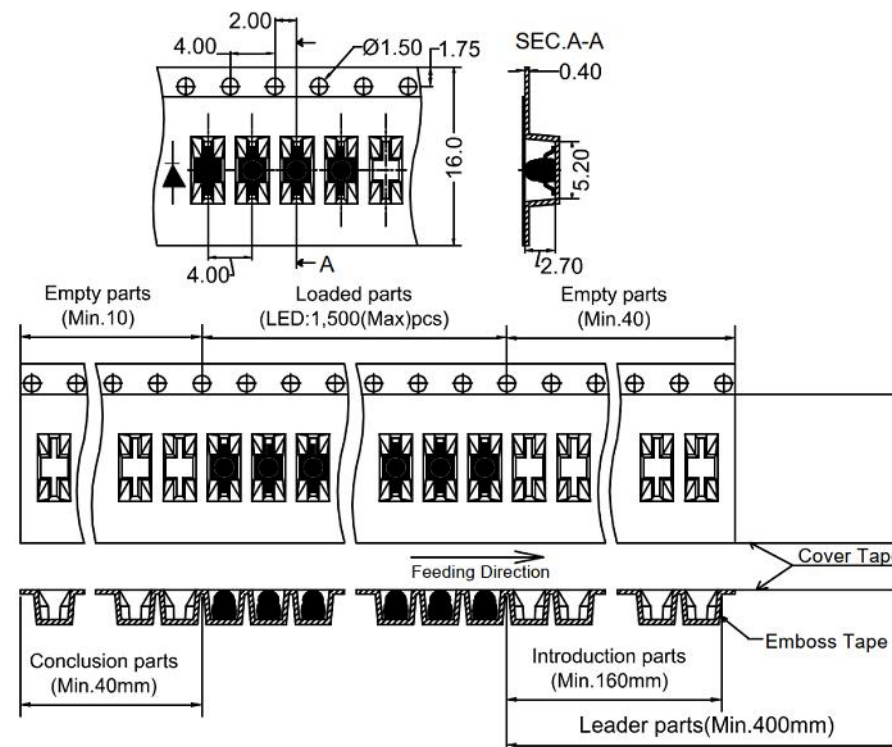
- PARTS ARE TO BE SUPPLIED IN 16mm CARRIER TAPE ON 7" REEL
1500 PCS PER REEL.
- PIN NUMBERS ARE FOR REFERENCE ONLY, DESIGNATION NON-EXISTENT ON PART.
- THIS ASSEMBLY CONTAINS ELECTROSTATIC DISCHARGE SENSITIVE DEVICES (ESDS). MAINTAIN ALL PRECAUTIONARY MEASURES DURING ASSEMBLY, HANDLING AND STORAGE IN ACCORDANCE WITH IPC-A-610.
- THIS PRODUCT IS RoHS COMPLIANT. EACH BAG IS TO BE MARKED WITH RoHS COMPLIANT LABEL OR EQUIVALENT MARKINGS. LED MUST BE Pb FREE.
- MOISTURE SENSITIVITY LEVEL IS 2.

REV	ECN NO	REVISIONS	DRN	CKD	APP	QA	CM	DATE
A	121970	NEW RELEASE	LD	CS	SD	DS	JN	9-17-24

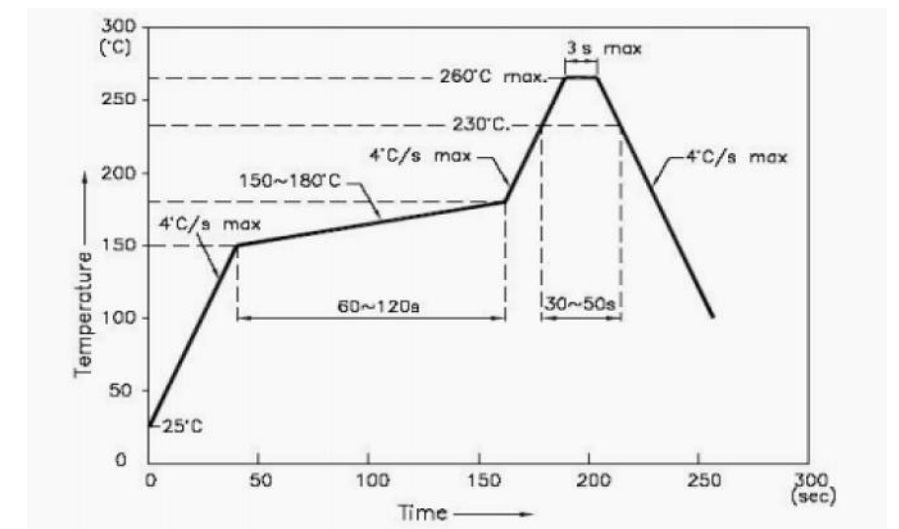


RECOMMENDED PAD LAYOUT

TAPE DIMENSION (mm)



RECOMMENDED RoHS SOLDER PROFILE



ABSOLUTE MAXIMUM RATINGS AT 25°C						
LED COLOR	POWER DISSIPATION (mW)	FORWARD CURRENT (mA)	PEAK FORWARD CURRENT *(mA)	REVERSE VOLTAGE (V)	OPERATING TEMPERATURE (°C)	STORAGE TEMPERATURE (°C)
WHITE	111	30	125	5	-40 TO +80	-40 TO +85

*PEAK FORWARD CURRENT : DUTY 1/8 @1KHz

ELECTRICAL OPTICAL CHARACTERISTICS AT 25°C										
LED COLOR	TEST CONDITION	LUMINOUS INTENSITY (mcd)			CHROMATICITY COORDINATES		FORWARD VOLTAGE (V)		REVERSE CURRENT (uA)	VIEWING ANGLE (DEG)
		MIN.	TYP.	MAX.	TYP.	TYP.	MIN.	MAX.		
WHITE	I _F (mA)	160	350	700	0.292	0.281	2.8	3.7	10@5V	165



ATTENTION:
OBSERVE PRECAUTIONS FOR
HANDLING ELECTROSTATIC
SENSITIVE DEVICES

THIS DRAWING AND THE CONTENTS HEREIN ARE CONFIDENTIAL AND THE SOLE PROPERTY OF DIALIGHT CORP. REPRODUCTION OF THIS DRAWING OR CONSTRUCTION OF ANY PARTS WITHIN THIS DRAWING ARE FORBIDDEN WITHOUT THE WRITTEN CONSENT OF DIALIGHT CORP.		
DIALIGHT CORP INTERNAL REFERENCE ONLY = 3D MODEL : 4500521875430- .1		
SCALE: 12.000	DRAWING NUMBER	REV
ALL DIM's: INCH (mm)	C-18783	A
TOLERANCES: UNLESS OTHERWISE SPECIFIED	TITLE 1.9mm GULL WING WHITE LED	
FRACTIONS: ±1/64 DECIMALS (.XX): ±.01 DECIMALS (.XXX): ±.005 DECIMALS (.XXXX): ±.0005 ANGLES: ±1°	MATERIAL	
FINISH	Dialight	
FSCM 83330	1501 ROUTE 34 SOUTH FARMINGDALE, NJ 07727 (732) 919-3119 www.dialight.com	
SHEET 1 OF 1	FAMILY TABLE:	

Mouser Electronics

Authorized Distributor

Click to View Pricing, Inventory, Delivery & Lifecycle Information:

[Dialight:](#)

[521-8754F](#)