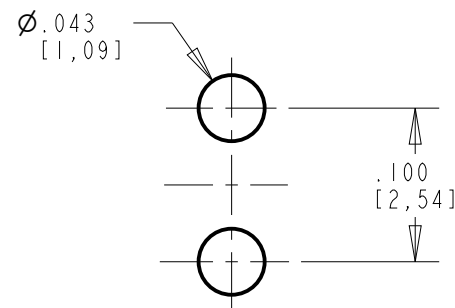
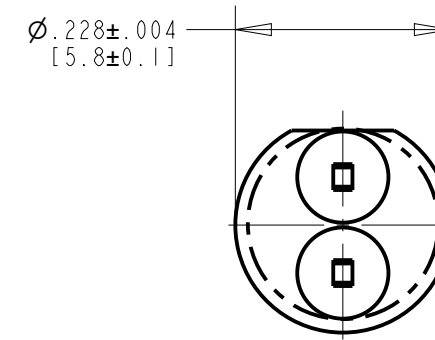
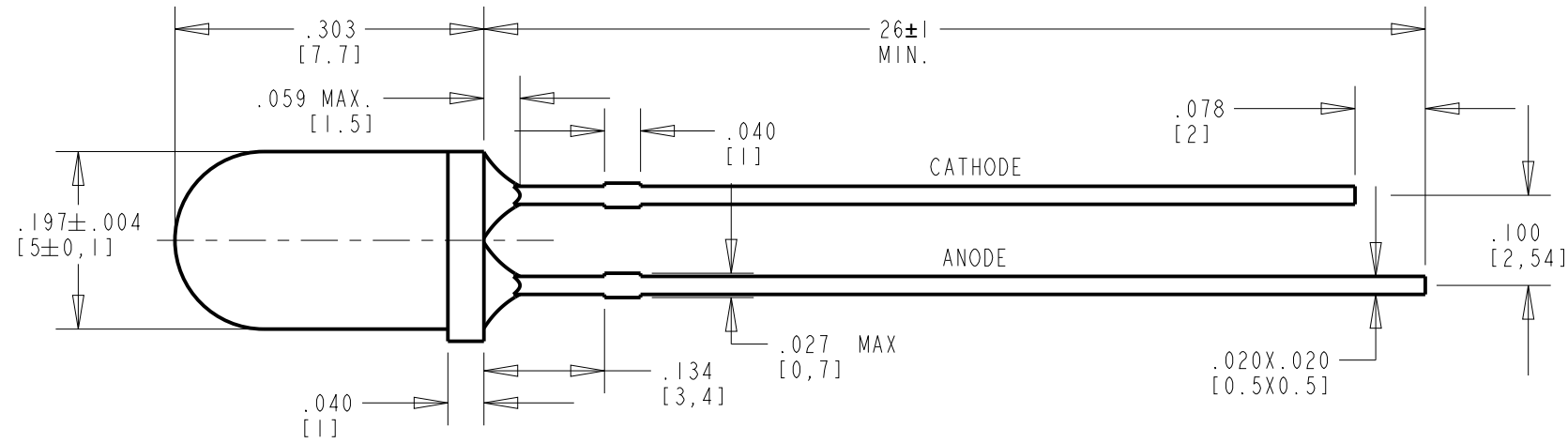


DIALIGHT PART NUMBER	LED COLOR	LENS COLOR
521-8714F	RED(625nm)	WATER CLEAR

REV	ECN NO	REVISIONS	DRN	CKD	APP	DATE
A	114070	NEW RELEASE	JSG	CS	NO	23JAN24



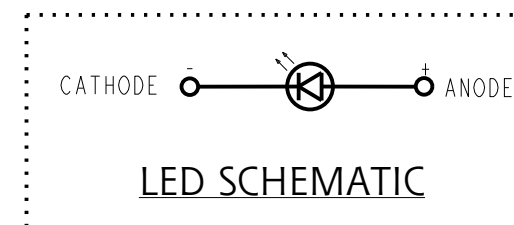
**RECOMMENDED PCB LAYOUT**

**NOTES:**

1. LEAD SPACING MEASURED NEAR EPOXY PACKAGE.
2. LEDS TO BE PACKAGED IN A TRANSPARENT STATIC SHIELDED METAL FOIL BAG WITH ESD LABELING OR EQUIVALENT
3. THIS ASSEMBLY CONTAINS ELECTROSTATIC DISCHARGE SENSITIVE DEVICES (ESDS) MAINTAIN ALL PRECAUTIONARY MEASURES DURING ASSEMBLY, HANDLING AND STORAGE IN ACCORDANCE WITH IPC-610
4. THIS PRODUCT IS ROHS COMPLIANT, EACH BAG IS MARKED WITH ROHS COMPLIANT LABEL OR EQUIVALENT MARKINGS. LED MUST BE PB FREE (ROHS COMPLIANT).
5. SOLDERING : LEAVE A MINIMUM OF 2mm CLEARANCE FROM THE BASE OF THE LENS TO THE SOLDERING POINT.

ABSOLUTE MAXIMUM RATINGS AT 25°C						
LED COLOR	POWER DISSIPATION (mW)	FORWARD CURRENT (mA)	PEAK FORWARD CURRENT (mA)	OPERATING TEMPERATURE (°C)	STORAGE TEMPERATURE (°C)	REVERSE VOLTAGE (V)
RED	75	30	50 (1/10 DUTY CYCLE, 0.1ms PULSE WIDTH)	-40°C TO +85°C	-40°C TO +85°C	5

OPERATING CHARACTERISTICS AT 25°C AMBIENT									
LED COLOR	TEST CONDITION (mA)	LUMINOUS INTENSITY (mcd)		FORWARD VOLTAGE (V)		REVERSE CURRENT (µA)	VIEWING ANGLE (DEGREES)	DOMINANT WAVELENGTH (nm)	
		TYP	MIN	MAX	MIN	MAX	MAX	TYP	MIN
RED	20mA	7500	23100	1.8	2.4	10µA @ VR=5V	15	620	630



**ATTENTION:**  
OBSERVE PRECAUTIONS FOR  
HANDLING ELECTROSTATIC  
SENSITIVE DEVICES

THIS DRAWING AND THE CONTENTS HEREIN ARE CONFIDENTIAL AND THE SOLE PROPERTY OF DIALIGHT CORP. REPRODUCTION OF THIS DRAWING OR CONSTRUCTION OF ANY PARTS WITHIN THIS DRAWING ARE FORBIDDEN WITHOUT THE WRITTEN CONSENT OF DIALIGHT CORP.		
DIALIGHT CORP INTERNAL REFERENCE ONLY = 3D MODEL : 4500521500X18-A.4		
SCALE: 2.000	DRAWING NUMBER	REV
ALL DIM'S: INCH (mm)	C-18734	A
TOLERANCES: UNLESS OTHERWISE SPECIFIED	TITLE	
FRACTIONS: ±1/64	5mm HIGH INTENSITY RED	
DECIMALS (.XX): ±.01	MATERIAL	
DECIMALS (.XXX): ±.005	-	
DECIMALS (.XXXX): ±.0005	FINISH	
ANGLES: ±1°	-	
FSCM 83330	Dialight	
	1501 ROUTE 34 SOUTH FARMINGDALE, NJ 07727 (732) 919-3119 www.dialight.com	
SHEET 1 OF 1	FAMILY TABLE:	

# Mouser Electronics

Authorized Distributor

Click to View Pricing, Inventory, Delivery & Lifecycle Information:

[Dialight:](#)

[521-8714F](#)