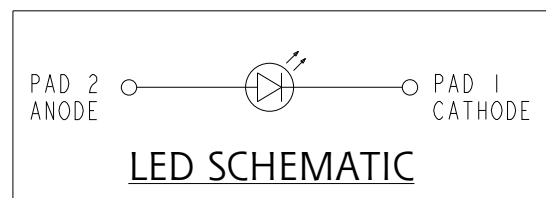
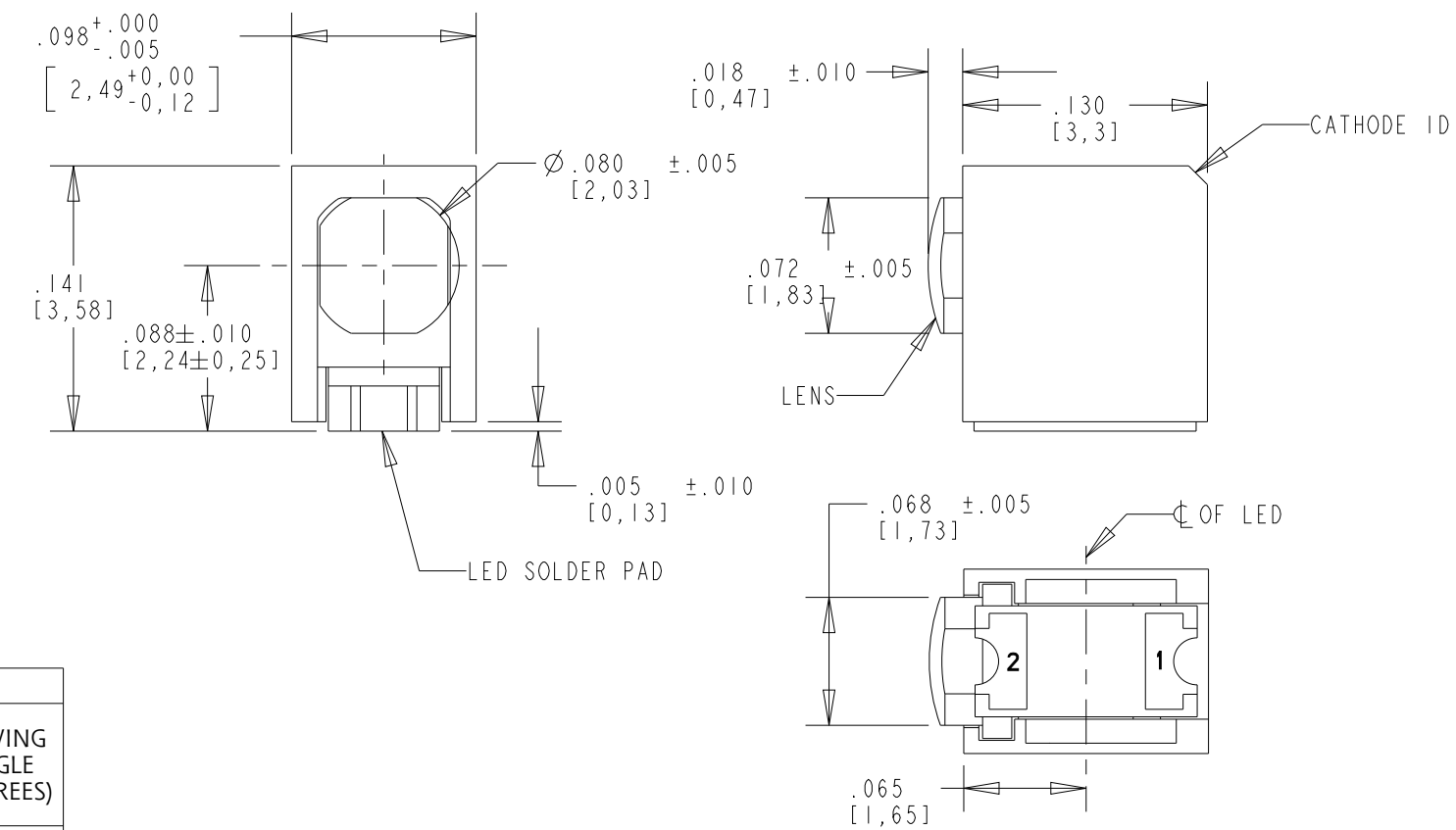


ASSEMBLY PART NUMBER	LED COLOR
595-2101-002NF	RED
595-2101-007NF	
595-2101-013NF	
595-2211-002NF	YELLOW-GREEN
595-2211-007NF	
595-2211-013NF	
595-2602-002NF	BLUE
595-2602-007NF	
595-2602-013NF	
595-2701-002NF	YELLOW
595-2701-007NF	
595-2701-013NF	
595-2902-002NF	GREEN
595-2902-007NF	
595-2902-013NF	

NOTES:

- 1- MILLIMETER DIMENSIONS SHOWN FOR REFERENCE ONLY.
- 2- PAD NUMBERS ARE FOR REFERENCE ONLY, DESIGNATION NON-EXISTENT ON PART.
- 3- STORAGE CONDITIONS FOR TAPED PRODUCT: RE-TAPING MAY BE NECESSARY FOR PRODUCTS STORED MORE THAN TWELVE MONTHS.
- 4- ORDER QUANTITY IS LED ASSEMBLIES, NOT REELS
- 5- ...-002NF SUFFIX MEANS PARTS ARE PACKED ON A 20 pc STRIP  
...-007NF SUFFIX MEANS PARTS ARE PACKED ON A 7 INCH REEL, 600 pcs/REEL  
...-013NF SUFFIX MEANS PARTS ARE PACKED ON A 13 INCH REEL, 2300 pcs/REEL
- 6- PLACE MOISTURE SENSITIVITY LEVEL "3" LABEL ON VACUUM SEAL BAG.
- 7- PACKAGE ONE HUMIDITY INDICATOR CARD (P/N 9100-999-0662-99) PER BAG.

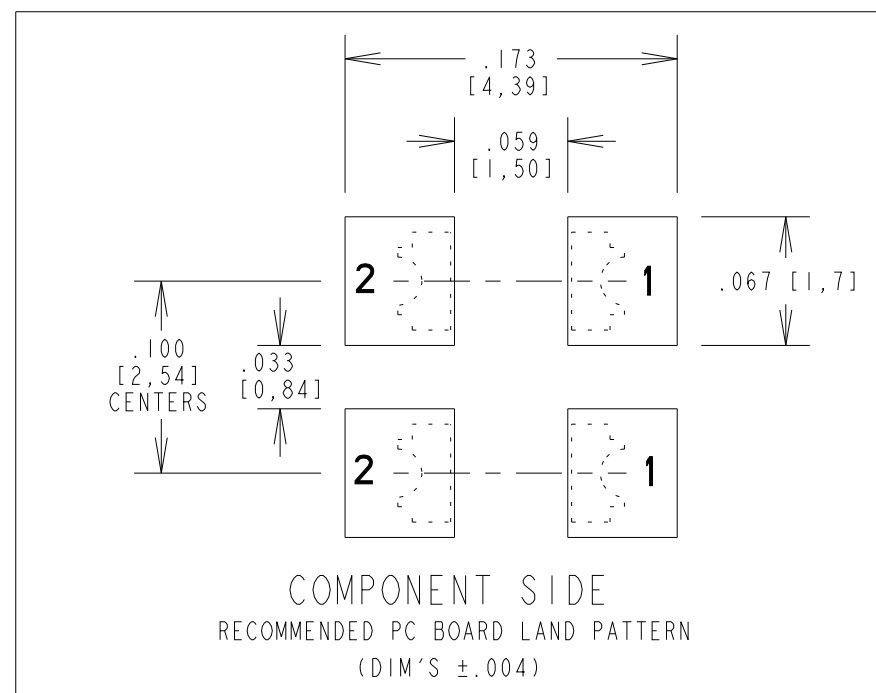
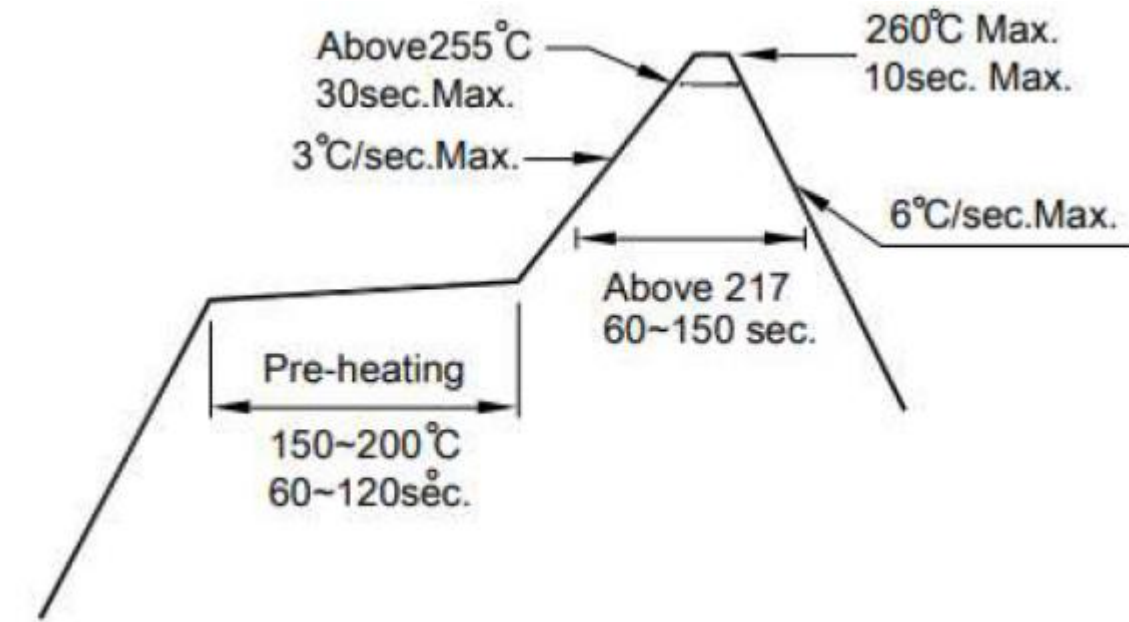
REV	ECN NO	REVISIONS	DRN	CKD	APP	DATE
A	108688	NEW RELEASE	JSG	CS	NO	15AUG23



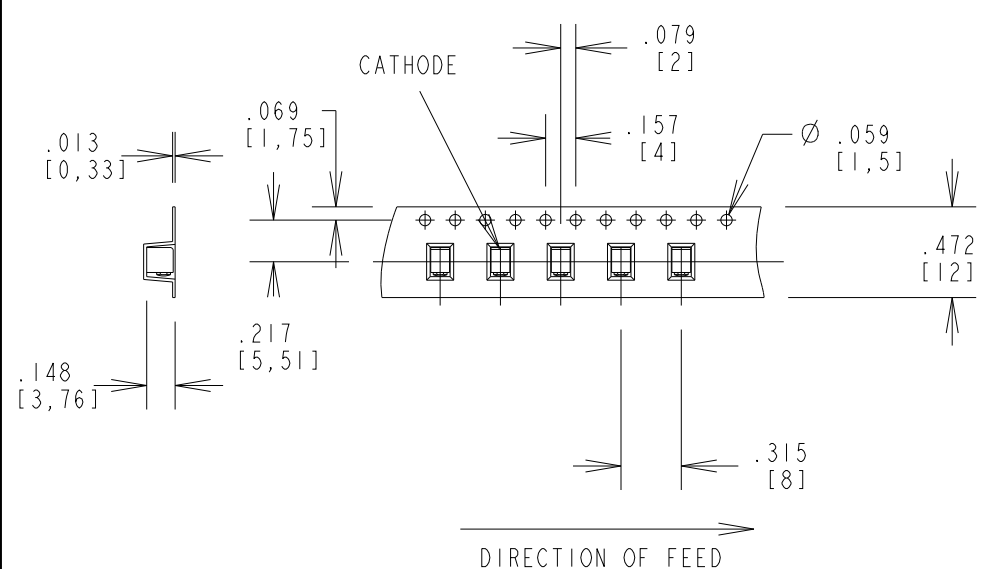
OPERATING CHARACTERISTICS AT 25°C AMBIENT										
LED COLOR	TEST CONDITION (mA)	LUMINOUS INTENSITY (mcd)			FORWARD VOLTAGE (V)		DOMINANT WAVELENGTH (nm)		REVERSE CURRENT (uA)	VIEWING ANGLE (DEGREES)
		MIN	TYP	MAX	MIN	MAX	MIN	MAX	MAX	TYP
RED	20	35	75	115	1.8	2.4	630	650	10µA@VR=5V	50
YELLOW GREEN		50	127	204	1.8	2.6	565	576		
BLUE		240	497	754	2.8	3.7	460	470		
YELLOW		143	325	452	1.8	2.4	585	595		
GREEN		1390	1740	3640	2.8	3.7	520	530		

ABSOLUTE MAXIMUM RATINGS AT 25°C							
LED COLOR	POWER DISSIPATION (mW)	FORWARD CURRENT (mA)	PEAK FORWARD CURRENT (mA)	REVERSE VOLTAGE (V)	OPERATING TEMPERATURE (°C)	STORAGE TEMPERATURE (°C)	DERATING CURVE FROM 25°C (mA/°C)
RED	111	30	125 (1/10 DUTY CYCLE, 0.1ms PULSE WIDTH)	5	-40°C TO +80°C	-40°C TO +85°C	0.333
YELLOW GREEN	75	30		5			0.333
BLUE	111	30		5			0.333
YELLOW	75	30		5			0.333
GREEN	111	30		5			0.333

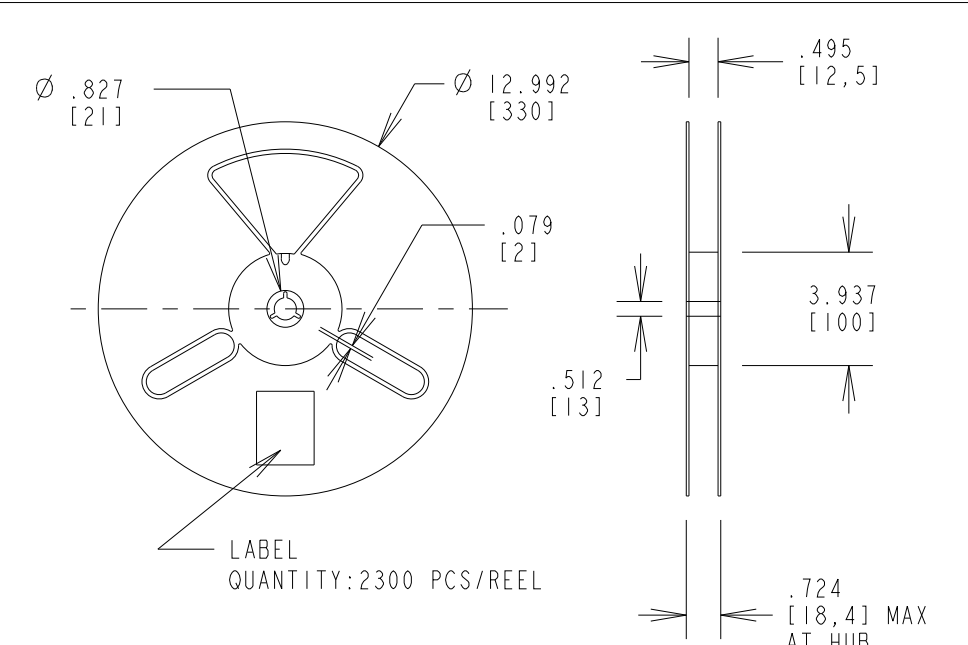
RECOMMENDED RoHS SOLDER PROFILE



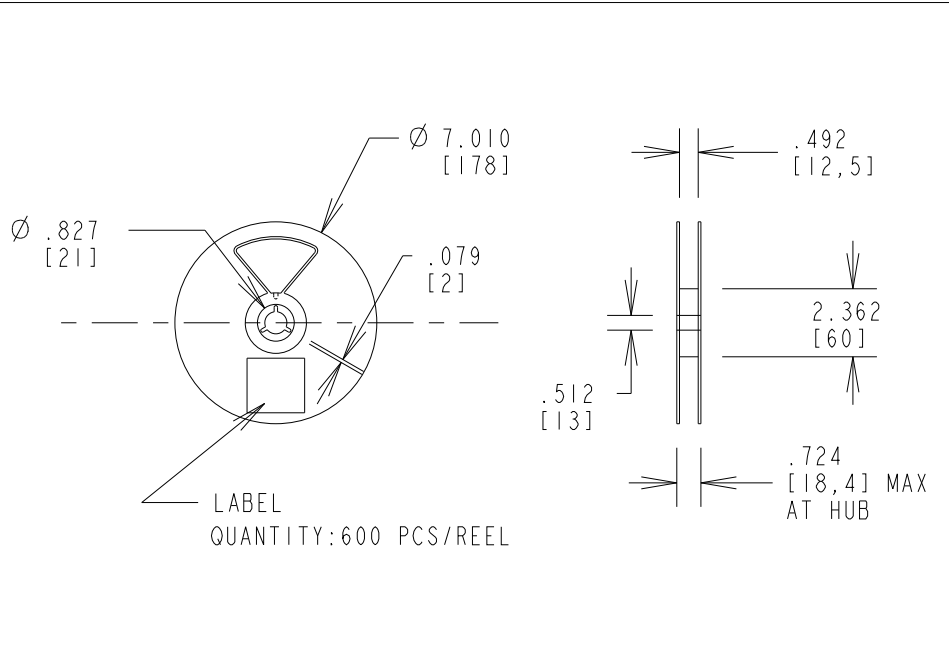
TAPING SPECIFICATION



TOLERANCE: .004 UNLESS OTHERWISE SPECIFIED  
MILLIMETER DIMENSIONS SHOWN FOR REFERENCE ONLY



13 INCH DIA. REEL SPECIFICATIONS



7 INCH DIA. REEL SPECIFICATIONS

**RoHS Compliant 595-2XXX-OXXNF Surface Mount CBI**  
Part Numbers with the "F" suffix ending are RoHS Compliant.  
Example: 595-2301-002NF  
Packaging is marked with "RoHS Compliant" label or equivalent markings. Parts can be wave soldered, dip soldered, or hand soldered using typical lead-free soldering process with max 260°C temp. for 5 sec.

THIS DRAWING AND THE CONTENTS HEREIN ARE CONFIDENTIAL AND THE SOLE PROPERTY OF DIALIGHT CORP. REPRODUCTION OF THIS DRAWING OR CONSTRUCTION OF ANY PARTS WITHIN THIS DRAWING ARE FORBIDDEN WITHOUT THE WRITTEN CONSENT OF DIALIGHT CORP.		
SCALE: DRAWING SCALE	DRAWING NUMBER	REV
ALL DIM'S IN: INCHES (MM)	C-18707	A
TOLERANCES: UNLESS OTHERWISE SPECIFIED	TITLE	
FRACTIONS: ±1/64	SURFACE MOUNT CBI	
DECIMALS (.XX): ±.01	RoHS COMPLIANT	
DECIMALS (.XXX): ±.005	MATERIAL	
DECIMALS (.XXXX): ±.0005		
ANGLES: ±1°		
FINISH		
FSCM 83330	Dialight 1501 ROUTE 34 SOUTH, FARMINGDALE, NJ 07727 (732) 919-3119 www.dialight.com	
SHEET 1 OF 1	FAMILY TABLE:	

# Mouser Electronics

Authorized Distributor

Click to View Pricing, Inventory, Delivery & Lifecycle Information:

[Dialight:](#)

[595-2211-007NF](#) [5952701007NF](#)