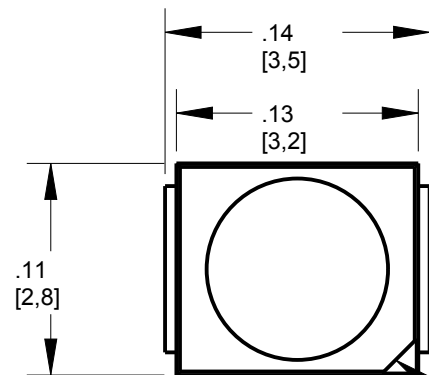


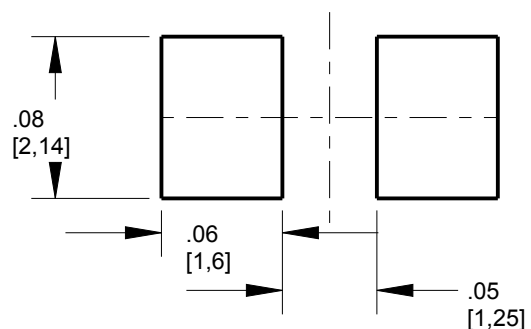
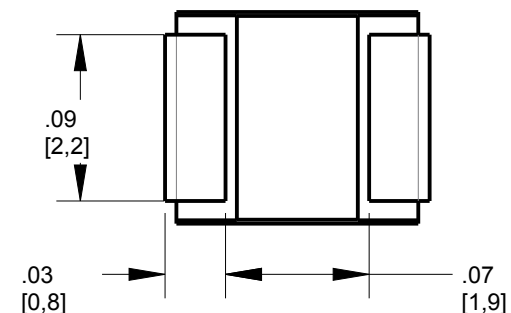
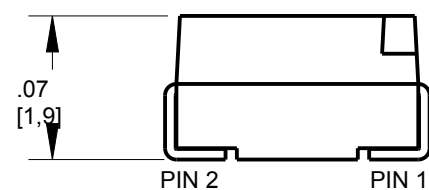
| PART NUMBER | LED COLOR (nm) |
|-------------|--------------------|
| 5988B10102F | RED (623) |
| 5988B10107F | |
| 5988B30102F | ORANGE (605) |
| 5988B30107F | |
| 5988B40102F | YELLOW (590) |
| 5988B40107F | |
| 5988B60102F | YELLOW GREEN (570) |
| 5988B60107F | |
| 5988B80102F | GREEN (525) |
| 5988B80107F | |
| 5988B90102F | BLUE (470) |
| 5988B90107F | |

NOTES:

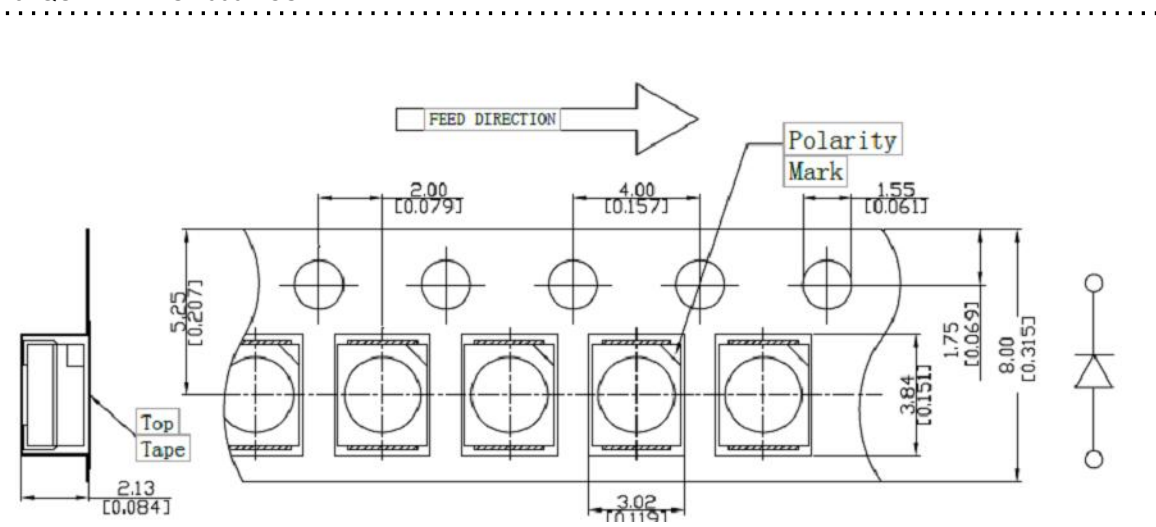
- PIN NUMBERS ARE FOR REFERENCE ONLY, DESIGNATION NON-EXISTENT ON PART.
- LABELING FOR REEL AND OUTSIDE OF ALUMINUM BAG, DIALIGHT P/N, QUANTITY PER REEL, DATE CODE, INTENSITY BIN CODE, LOT NUMBER AND COUNTRY OF ORIGIN
- THIS PRODUCT IS RoHS COMPLIANT. EACH BAG IS TO BE MARKED WITH RoHS COMPLIANT LABEL OR EQUIVALENT MARKINGS. LED MUST BE Pb FREE.
- MOISTURE SENSITIVITY LEVEL 3
- QUANTITY IS 2000 PCS/ REEL



POLARITY MARK



RECOMMENDED SOLDER PAD LAYOUT



UNITS: mm
TOLERANCE (UNLESS OTHERWISE SPECIFIED): ±0.2mm

TAPING SPECIFICATIONS

| ABSOLUTE MAXIMUM RATINGS AT 25 °C | | | | | | | |
|-----------------------------------|------------------------|----------------------|---------------------------|---------------------|----------------------------|--------------------------|-----------------------------------|
| LED COLOR | POWER DISSIPATION (mW) | FORWARD CURRENT (mA) | PEAK FORWARD CURRENT (mA) | REVERSE VOLTAGE (V) | OPERATING TEMPERATURE (°C) | STORAGE TEMPERATURE (°C) | DERATING CURVE FROM 45 °C (mA/°C) |
| RED | 72 | 30 | 100 | 5 | -40 TO +85 | -40 TO +100 | .625 |
| ORANGE | 72 | | | | | | .625 |
| YELLOW | 72 | | | | | | .625 |
| YELLOW GREEN | 72 | | | | | | .625 |
| GREEN | 100 | | | | | | .625 |
| BLUE | 100 | .625 | | | | | |

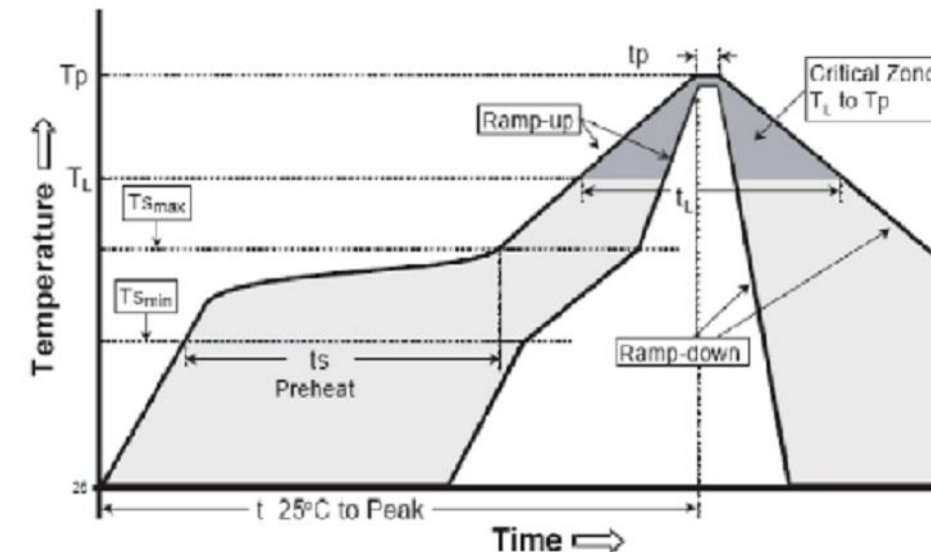
| OPERATING CHARACTERISTICS AT 25 °C | | | | | | | | | | | |
|------------------------------------|---------|--------------------------|------|------|--------------------------|------|------|---------------------|-----------------|------|---------------------|
| LED COLOR | IF (mA) | LUMINOUS INTENSITY (mcd) | | | DOMINANT WAVELENGTH (nm) | | | REVERSE CURRENT MAX | FORWARD VOLTAGE | | VIEWING ANGLE (DEG) |
| | | MIN. | TYP. | MAX. | MIN. | TYP. | MAX. | | TYP. | MAX. | |
| RED | 20 | 200 | 380 | 560 | 615 | 623 | 630 | 10µA @ VR=5V | 1.8 | 2.4 | 120 |
| ORANGE | | 260 | 345 | 430 | 600 | 605 | 610 | | 1.8 | 2.4 | |
| YELLOW | | 200 | 315 | 430 | 585 | 590 | 595 | | 1.8 | 2.4 | |
| YELLOW GREEN | | 40 | 80 | 120 | 565 | 570 | 575 | | 1.8 | 2.4 | |
| GREEN | | 1200 | 1750 | 2300 | 520 | 525 | 530 | | 2.8 | 3.5 | |
| BLUE | | 230 | 395 | 560 | 465 | 470 | 475 | | 2.8 | 3.5 | |



LED SCHEMATIC

| REV | REVISIONS | DRN | APP | DATE |
|-----|--|-----|-----|---------|
| A | NEW RELEASE | LD | NO | 1-9-19 |
| B | ADDED VIEWING ANGLE, REVISED FORWARD VOLTAGE | LD | NO | 7-31-19 |
| C | DERATING VALUE WAS .56 | LD | NO | 9-20-19 |

RECOMMENDED RoHS SOLDER PROFILE



| MARK | DEFINITION | CONDITION |
|-------------------|--|-----------------|
| TS _{max} | Maximum of pre-heating temperature | 200 °C |
| TS _{min} | Minimum of pre-heating temperature | 150 °C |
| T _s | Time form T _{smin} to T _{smax} | 60-120 sec |
| T _L | Reference temperature | 217 °C |
| t _L | Retention time for TL | within 60s |
| T _P | Peak Temperature | 260 °C |
| t _P | Time for peak temperature | within 10s |
| DTr/Dt | Temperature rising rate | under 3 °C/sec |
| DTd/Dt | Temperature decreasing rate | under -3 °C/sec |



ATTENTION:
OBSERVE PRECAUTIONS FOR
HANDLING ELECTROSTATIC
SENSITIVE DEVICES

| | | |
|---|----------------------------------|-----------------|
| THIS DRAWING AND THE CONTENTS HEREIN ARE CONFIDENTIAL AND THE SOLE PROPERTY OF DIALIGHT CORP. REPRODUCTION OF THIS DRAWING OR CONSTRUCTION OF ANY PARTS WITHIN THIS DRAWING ARE FORBIDDEN WITHOUT THE WRITTEN CONSENT OF DIALIGHT CORP. | | |
| SCALE: 10.00 ALL DIM's: INCH (mm) | DRAWING NUMBER C-18404 | REV C |
| TOLERANCES: UNLESS OTHERWISE SPECIFIED FRACTIONS: ±1/64 DECIMALS (.XX): ±.01 DECIMALS (.XXX): ±.008 | TITLE 3528 PACKAGE | MATERIAL |
| ANGLES: ±1° FINISH | | |
| FSCM 83330 | SHEET 1 OF 1 | FAMILY TABLE: |

1501 ROUTE 34 SOUTH
FARMINGDALE, NJ 07727
(732) 919-3119
www.dialight.com

Mouser Electronics

Authorized Distributor

Click to View Pricing, Inventory, Delivery & Lifecycle Information:

[Dialight:](#)

[598-8B10-107F](#) [598-8B60-107F](#) [598-8B90-107F](#) [598-8B40-107F](#) [598-8B80-107F](#) [598-8B30-107F](#)