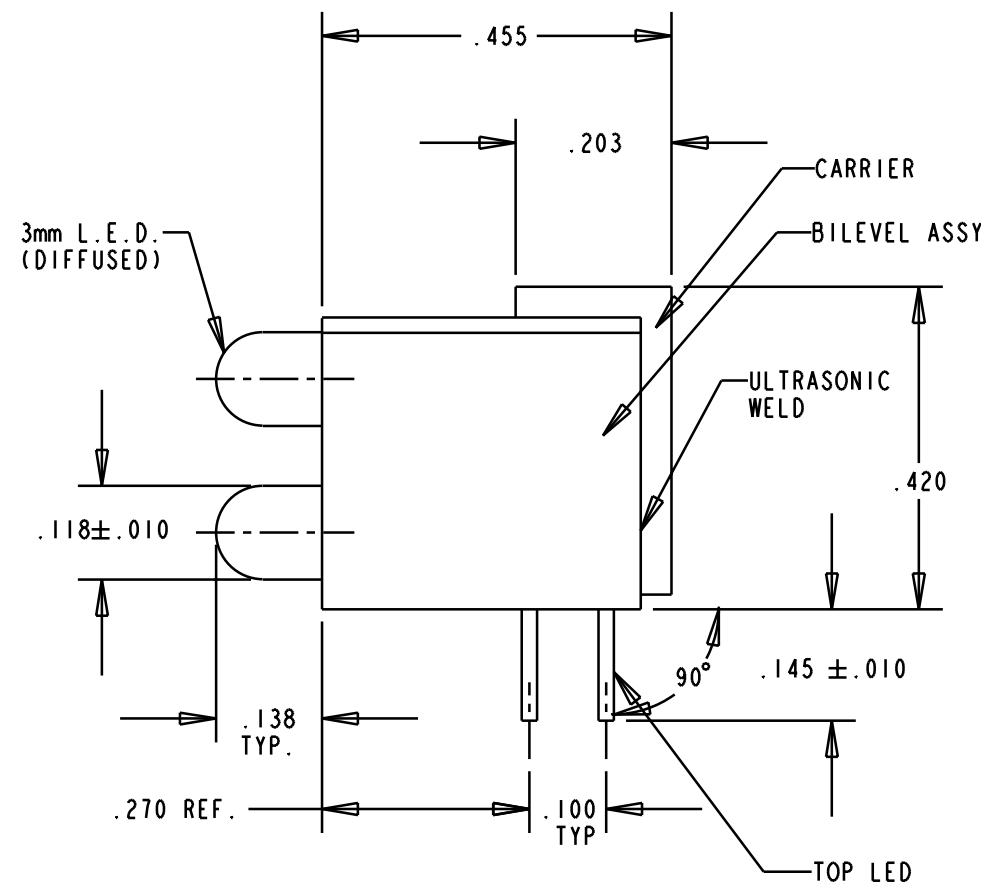
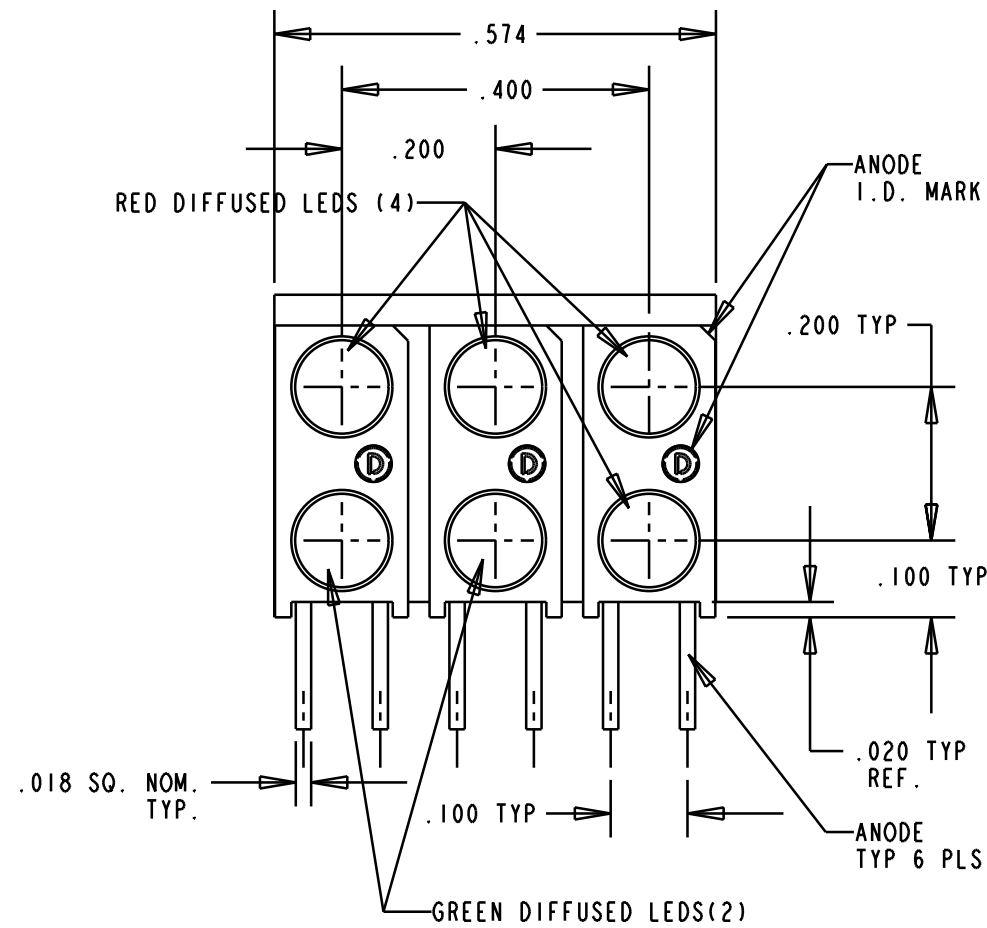


OPERATING CHARACTERISTICS AT 25°C AMBIENT						
CHARACTERISTICS	LED COLOR	MIN	TYP	MAX	UNITS	TEST CONDITIONS
LUMINOUS INTENSITY	RED	7.4	10.0		mcd	$I_f = 10 \text{ mA}$
	GREEN	4.7	12.6			
FORWARD VOLTAGE	RED		2.0	2.8	V	$I_f = 20 \text{ mA}$
	GREEN		2.1	2.8		
REVERSE CURRENT	ALL			100	$\mu\text{A}$	$V_R = 5 \text{ V}$
PEAK WAVELENGTH	RED		635		nm	
	GREEN		565			
VIEWING ANGLE	ALL		60		Degree	
CAPACITANCE	RED		20		pf	$V_f = 0, f = 1 \text{ MHz}$
	GREEN		35			

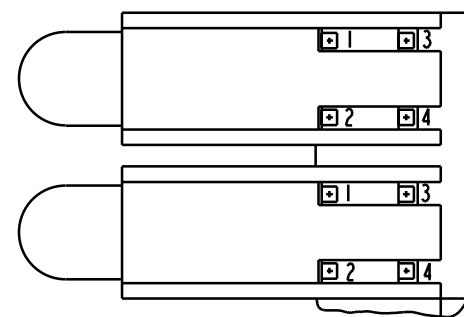
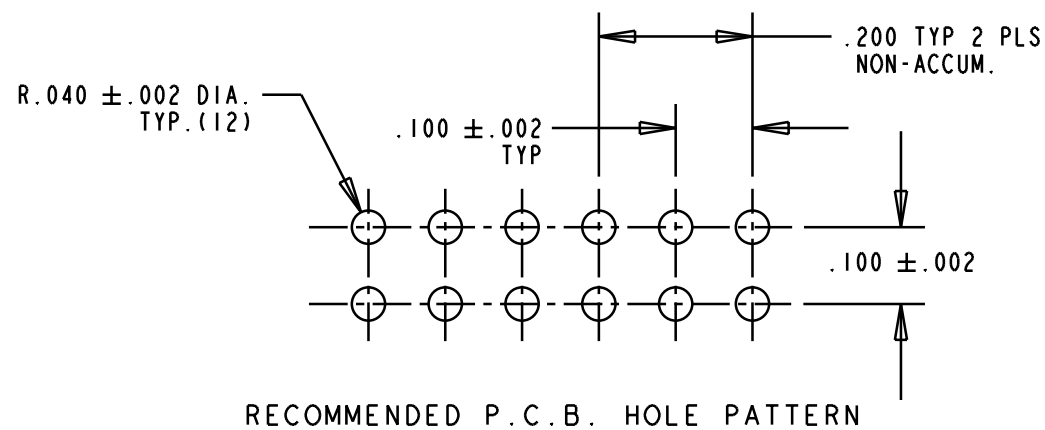
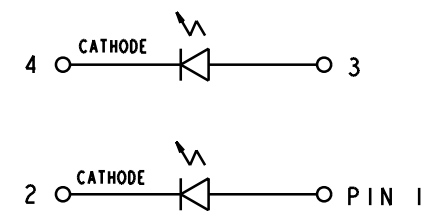
ABSOLUTE MAXIMUM RATING AT 25°C AMBIENT			
	UNITS	RED	GREEN
POWER DISSIPATION	mW	100	100
DERATE LINEARLY FROM 50°C	$\text{mA}/^\circ\text{C}$	0.4	0.4
CONTINUOUS FORWARD CURRENT	mA	30	30
PEAK FORWARD CURRENT (1/10 DUTY CYCLE, 0.1 ms PULSE WIDTH)	mA	120	120
LEAD SOLDERING TEMPERATURE, 5 SEC., 1/16" FROM BODY	$^\circ\text{C}$	260	260
OPERATING TEMPERATURE	$^\circ\text{C}$	-55 TO 100	-55 TO 100
STORAGE TEMPERATURE	$^\circ\text{C}$	-55 TO 100	-55 TO 100

REV.	ECN NO.	REVISIONS	DRN.	CKD.	APP.	DATE
A		NEW RELEASE	DC			



NOTES:

- LEADS TO FIT INTO .040 DIA. HOLES SPACED AS PER PATTERN.
- PIN NUMBERS FOR REFERENCE ONLY. DESIGNATION NON-EXISTENT ON PARTS.
- LED LEAD DIMENSIONS SHOWN ARE MEASURED AT HOUSING EXIT.
- PACKAGE PARTS IN TUBE WITH ASSOCIATED END PLUG. MARK LABEL WITH MFG., P/N, DATE CODE, QTY/TUBE.
- DIALIGHT PART NO. 553-0006-813.



THIS DRAWING AND THE CONTENTS HEREIN ARE CONFIDENTIAL AND THE SOLE PROPERTY OF DIALIGHT. REPRODUCTION OF THIS DRAWING OR CONSTRUCTION OF ANY PARTS WITHIN THIS DRAWING ARE FORBIDDEN WITHOUT THE WRITTEN CONSENT OF DIALIGHT.		
SCALE 4:1	DRAWING NUMBER	REV
ALL DIM'S IN: INCHES	C-16587	A
TOLERANCES: UNLESS OTHERWISE SPECIFIED	TITLE	
FRACTIONS: ±1/64	3mm LED CBI GANGED ARRAY	
DECIMALS (.XX): ±.020	MATERIAL	
DECIMALS (.XXX): ±.015	Dialight	
ANGLES: ±3°	1913 ATLANTIC AVE. MANASQUAN, N.J. 08736	
FINISH:	SHEET	OF
FSCM 83330	FAMILY TABLE:	

# Mouser Electronics

Authorized Distributor

Click to View Pricing, Inventory, Delivery & Lifecycle Information:

[Dialight:](#)

[553-0006-813F](#)