



ES9842 PRO

32-bit High-Performance 4-Channel ADC

Product Datasheet

Analog Reinvented

The Sabre ES9842 PRO is the world's highest performance 32-bit analog-to-digital (A/D) converter targeted for professional audio applications such as recording systems, mixer consoles and digital audio workstations (DAW), test equipment, instruments, audio processors, digital turntables, and consumer applications.

The ES9842 PRO has 4 integrated ADCs which use the ESS proprietary Hyperstream® II Architecture, which delivers unprecedented audio sound quality and specifications, including a DNR of 128dB in mono mode and a DNR +122dB THD+N of -116dB in 4 channel mode.

The SABRE ADC supports synchronous S/PDIF, I2S master/slave, or native DSD output. For the most demanding audio enthusiast, the ES9842 PRO is capable of outputting RAW data, allowing the user to apply their own custom handling of the data. The ES9842 PRO comes in a small compact package and consumes less than 210mW.

The ES9842 can use preprogrammed filter coefficients to match perfectly with the SABRE PRO Series of DACs including the ES9038PRO. These complimentary filters allow for analog-digital-analog processing with the upmost audio fidelity and minimized time-domain smearing.

The Audio Signal Processor (ASP) integrated in the ADC allows for custom filtering such as RIAA presets to be implemented in the ADC, eliminating the need for re-processing later in the signal path.

The ES9842 PRO has an Ultra-Low Noise Floor Bandwidth of 200kHz. This bandwidth is up to 10 times wider than the competition, enabling higher resolution at higher sample rates.

FEATURE	DESCRIPTION
+122dB DNR 4 channel mode, +128dB DNR in mono mode -116dB THD+N 4 channel mode -118dB THD+N mono mode	Unprecedented dynamic range and ultra-low distortion
High Sample Rates	Up to PCM 768kHz, including 1.536MHz rate w/64FS Up to DSD512
Audio Signal Processors (ASP)	Available for custom FIR filters for any applications, including RIAA
Multiple Output formats available	PCM, TDM, DSD, S/PDIF, RAW
Customizable filter characteristics	8 presets and programmable filter coefficients for custom sound signature 2 audio signal processors for custom filter architectures and analog/digital mixing
I2C or SPI interface control	Configured by microcontroller or used as standalone
Integrated low noise ADC reference regulators	Reduced BOM cost, PCB area and improved DNR.
Low Power Consumption	Simplifies power supply design
Low Pin Count standardized Packaging	5mm x 5mm, 40 pin QFN
Ultra-Low Noise Floor Bandwidth	200kHz bandwidth enabling higher resolution at higher sample rates



APPLICATIONS

- Professional digital audio workstations audio recording
- Very high-quality microphones
- High quality record turntable to USB conversion

ES9842 PRO Product Datasheet

Table of Contents

APPLICATIONS.....	2
Table of Contents	3
List of Figures	6
List of Tables	7
Functional Block Diagram.....	8
ES9842QPRO Package	9
40 QFN Pinout	9
40 QFN Pin List.....	10
Digital Features.....	12
Digital Signal Path.....	12
Distortion Compensation	12
Volume Control.....	12
Audio Signal Processor (ASP).....	13
Peak Detection	13
I2S decoder and Programmable Delay.....	15
TDM Cascade Mode	16
TDM / PCM Parallel Mode	17
GPIO	19
GPIO Audio Data Configurations.....	21
Pre-Programmed Digital Filters	22
PCM Filter Properties	23
PCM Filter Frequency Response	25
PCM Filter Impulse Response	29
64FS Mode.....	33
Clock Distribution	35
I2S Master Clock Rate Configurations.....	38
I2S Slave Clock Rate Configurations.....	39
TDM Slave Clock Rate Configurations	40
TDM Master Clock Rate Configurations	41
DSD Master Clock Rate Configurations	42
Digital Audio Output Port	43
PCM Pin Connections	43
TDM Pin Connections	43
DSD Pin Connections	43



S/PDIF Pin Connections	44
RAW Pin Connections.....	45
Digital Audio Input Port.....	45
PCM Pin Connections.....	45
Absolute Maximum Ratings	46
IO Electrical Characteristics.....	47
Switching Characteristics.....	48
Audio Interface Timing Requirements.....	49
MCLK edge to BCK edge.....	50
Recommended Operating Conditions.....	52
Recommended Power up/down Sequences	53
Power Consumption.....	54
Performance	55
Register Overview	56
I ² C Slave Interface (Device Address 0x40, 0x42, 0x44, 0x46).....	57
Read/Write Register Addresses	57
Read-only Register Addresses.....	57
I ² C Synchronous Slave Interface (Device Address 0x48, 0x4A, 0x4C, 0x4E).....	57
Write-only Register Addresses	57
Multi-Byte Registers.....	57
I ² C Slave/Synchronous Slave Interface Timing.....	58
SPI Slave Interface	59
Register Map	60
Register Listing.....	64
System Registers.....	64
ASP Registers.....	88
Delay Line Registers.....	95
GPIO Registers.....	105
ADC CH1 Registers.....	119
ADC CH2 Registers.....	125
ADC CH3 Registers.....	131
ADC CH4 Registers.....	137
Synchronous Slave Interface Registers	143
Readback Registers.....	144
ES9842 PRO Reference Schematic.....	150



ES9842 PRO Product Datasheet

Internal Pad Circuitry	152
40 QFN Package Dimensions	154
40 QFN Top View Marking	155
Reflow Process Considerations.....	156
Temperature Controlled	156
Manual	158
RPC-2 Pb-Free Process – Classification Temperatures (Tc).....	159
Ordering Information.....	160
Addendum	161
I2S Master.....	161
I2S Slave.....	162
TDM Master	163
TDM Slave	164
Revision History.....	165

List of Figures

Figure 1 - ES9842 PRO Block Diagram.....	8
Figure 2 - 40 QFN Pinout.....	9
Figure 3 - Digital signal path	12
Figure 4 - Connection for TDM Cascade Mode	16
Figure 5 - Channel cascading and data line composition in TDM cascade mode for 8ch and 16ch TDM data lines	17
Figure 6 - Connection for Parallel TDM / PCM.....	17
Figure 7 – Channel(slot), mapping and data line composition for TDM in parallel mode	18
Figure 8 – Minimum Phase 64FS Frequency Response	34
Figure 9 – Minimum Phase 64FS Impulse Response.....	34
Figure 10 - ES9842 PRO Clock Distribution	35
Figure 11 - Audio Interface Timing Requirements	50
Figure 12 - 45/49MHz MCLK with BCK Phase Relationship.....	50
Figure 13 – 22/25MHz MCLK with BCK Phase Relationship	51
Figure 14 - Recommended Power up/down Sequences.....	53
Figure 15 - I ² C Slave Control Interface Timing Diagram.....	58
Figure 16 - SPI command timing diagrams.....	59
Figure 17 - ES9842PRO Reference Schematic.....	150
Figure 18 - Reference Schematic ADC Input Stage for Single Ended (S/E) and Differential Input	151
Figure 19 - ES9311Q Reference Voltage Regulator Schematic	151
Figure 20 - 40 QFN Package Dimensions	154
Figure 21 - ES9842 PRO QFN Marking.....	155
Figure 22 - IR/Convection Reflow Profile (IPC/JEDEC J-STD-020D.1)	156

ES9842 PRO Product Datasheet

List of Tables

Table 1 - 40 QFN Pin List	11
Table 2 – Standard GPIO Functions.....	19
Table 3 - GPIO Audio Data Configurations.....	21
Table 4 - Pre-Programmed Digital Filters	22
Table 5 - PCM Filter Frequency Response.....	28
Table 6 - PCM Filter Impulse Response	32
Table 7 – Minimum Phase 64FS Delay	33
Table 8 – Minimum Phase 64FS Properties	33
Table 9 - I2S Master Clock Rate Configurations.....	38
Table 10 - I2S Slave Clock Rate Configurations.....	39
Table 11 - TDM Slave Clock Rate Configurations	40
Table 12 - TDM Master Clock Rate Configurations	41
Table 13 - DSD Master Clock Rate Configurations.....	42
Table 14 - PCM Pin Connections.....	43
Table 15 - TDM Pin Connections.....	43
Table 16 - DSD Pin Connections	43
Table 17 - S/PDIF Pin Connections.....	44
Table 18 - RAW Pin Connections	45
Table 19 - PCM Pin Connections.....	45
Table 20 - Absolute Maximum Ratings	46
Table 21 - IO Electrical Characteristics.....	47
Table 22 - Switching Characteristics.....	48
Table 23 - Audio Interface Timing Requirements.....	49
Table 24 – Timing relationship for 45/49MHz MCLK & BCK.....	50
Table 25 – Timing relationship for 22/24MHz MCLK & BCK.....	51
Table 26 - Recommended Operating Conditions.....	52
Table 27 - Power Consumption	54
Table 28 - Performance	55
Table 29 - I2C addresses	56
Table 30 - I2C Slave Control Interface Timing Definitions	58
Table 31 - Register Map	63
Table 32 - Internal Pad Circuitry	153
Table 33 - RPC-1 Classification reflow profile.....	158
Table 34 - RPC-2 Pb-Free Process	159
Table 35 - Ordering Information.....	160

Functional Block Diagram

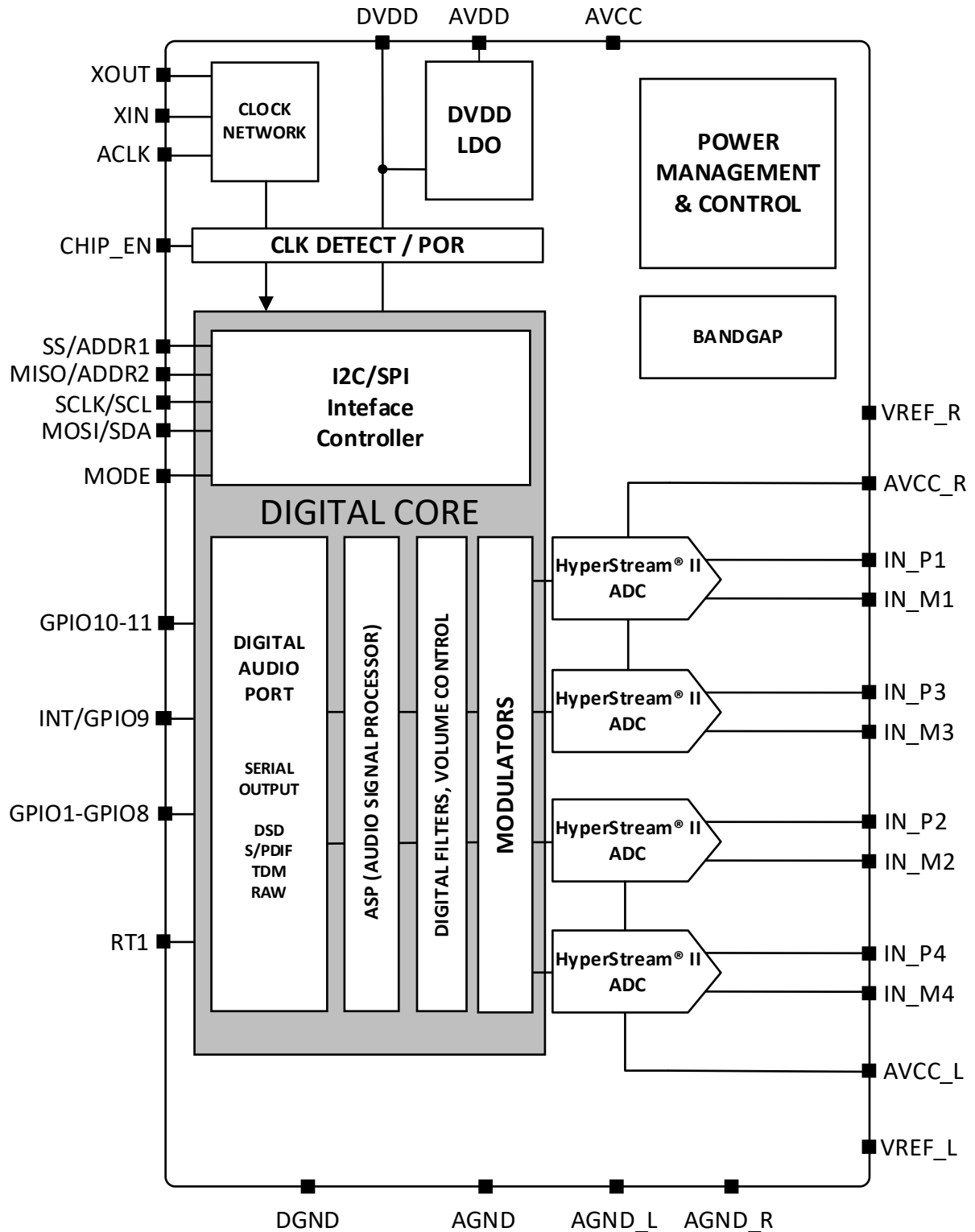


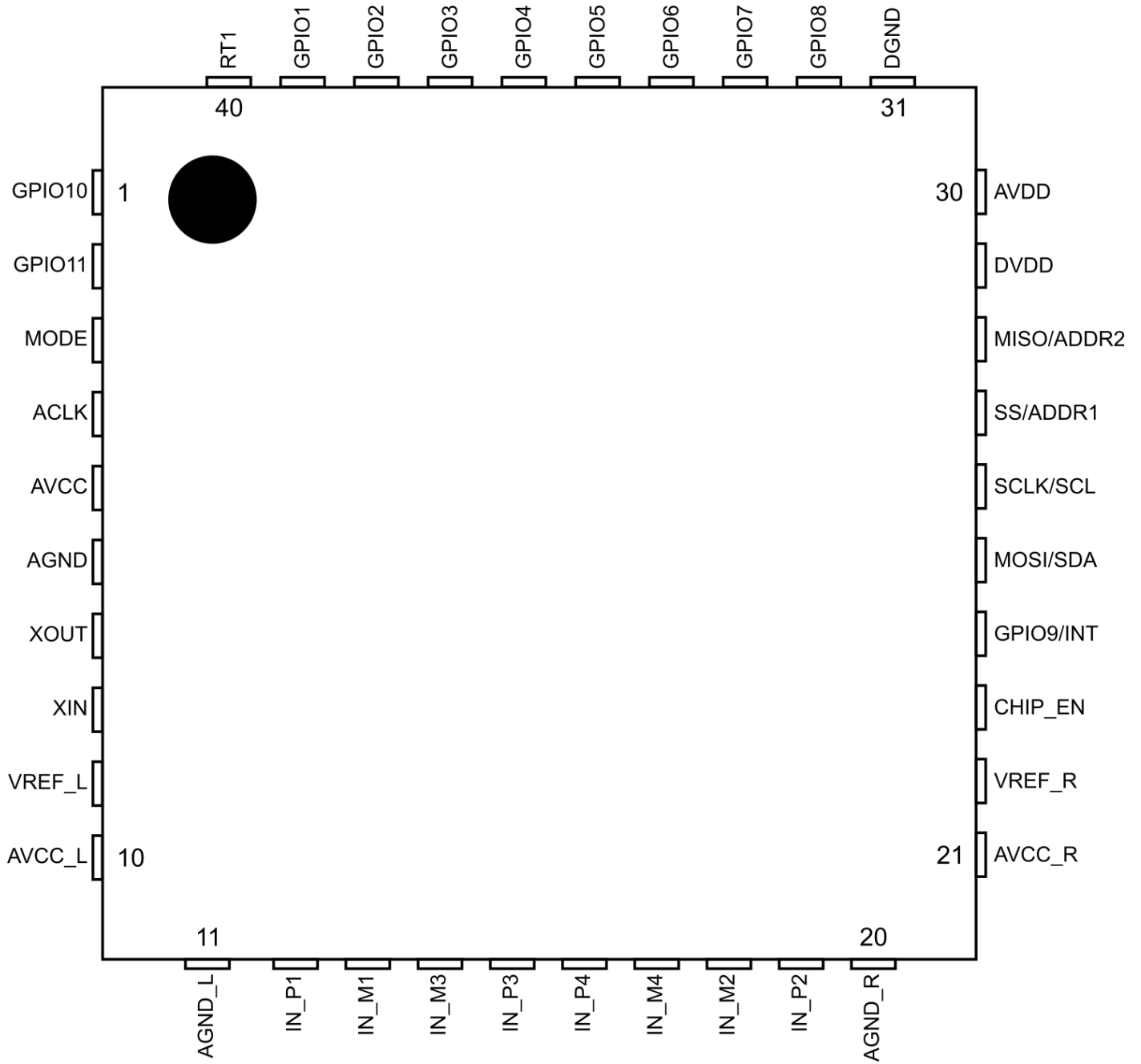
Figure 1 - ES9842 PRO Block Diagram



ES9842QPRO Package

40 QFN Pinout

(Pin 41 is QFN package pad, see package dimensions)



ES9842Q

(Top View)

Figure 2 - 40 QFN Pinout

40 QFN Pin List

Pin	Name	Pin Type	Reset State	Pin Description
1	GPIO10	I/O	HiZ	General I/O w/extended functions
2	GPIO11	I/O	HiZ	General I/O w/extended functions
3	MODE	I/O	HiZ	I2C or SPI Control
4	ACLK	AI	HiZ	Auxiliary Clock Input
5	AVCC	Power	Power	4.5V Supply
6	AGND	Ground	Ground	Analog Ground
7	XOUT	AO	HiZ	Crystal Output
8	XIN ¹	AI	HiZ	Crystal Input/Oscillator Input
9	VREF_L	Power	Power	Capacitor to ground (see reference schematic)
10	AVCC_L	Power	Power	ADC reference voltage 4.5V Supply
11	AGND_L	Ground	Ground	Analog Ground
12	IN_P1	AI	HiZ	ADC Channel 1 differential positive (+) input
13	IN_M1	AI	HiZ	ADC Channel 1 differential negative (-) input
14	IN_M3	AI	HiZ	ADC Channel 3 differential negative (-) input
15	IN_P3	AI	HiZ	ADC Channel 3 differential positive (+) input
16	IN_P4	AI	HiZ	ADC Channel 4 differential positive (+) input
17	IN_M4	AI	HiZ	ADC Channel 4 differential negative (-) input
18	IN_M2	AI	HiZ	ADC Channel 2 differential negative (-) input
19	IN_P2	AI	HiZ	ADC Channel 2 differential positive (+) input
20	AGND_R	Ground	Ground	Analog Ground
21	AVCC_R	Power	Power	ADC reference voltage 4.5V Supply
22	VREF_R	Power	Power	Capacitor to ground (see reference schematic)
23	CHIP_EN	I/O	HiZ	Active-high chip enable.
24	GPIO9	I/O	HiZ	General I/O w/extended functions, including INT (INTERRUPT)
25	MOSI/SDA	I/O	HiZ	Serial communication, MOSI(SPI), SDA(I2C), controlled by MODE
26	SCLK/SCL	I/O	HiZ	Serial Clock, SCLK (SPI), SCL (I2C), controlled by MODE
27	SS/ADDR1	I/O	HiZ	Serial communication, SS(SPI), ADDR1 (I2C), controlled by MODE
28	MISO/ADDR2	I/O	HiZ	Serial communication MISO(SPI), ADDR1 (I2C), controlled by MODE
29	DVDD	Power	Power	Digital Core Supply. Internally Supplied
30	AVDD	Power	Power	3.3V, I/O Supply
31	DGND	Ground	Ground	Digital Core Ground
32	GPIO8	I/O	HiZ	General I/O w/extended functions, Serial Data 8
33	GPIO7	I/O	HiZ	General I/O w/extended functions, Serial Data 7
34	GPIO6	I/O	HiZ	General I/O w/extended functions, Serial Data 6
35	GPIO5	I/O	HiZ	General I/O w/extended functions, Serial Data 5
36	GPIO4	I/O	HiZ	General I/O w/extended functions, Serial Data 4

¹ MCLK can be connected to XIN or ACLK

ES9842 PRO Product Datasheet

37	GPIO3	I/O	HiZ	General I/O w/extended functions, Serial Data 3
38	GPIO2	I/O	HiZ	General I/O w/extended functions, Serial Data 2
39	GPIO1	I/O	HiZ	General I/O w/extended functions, Serial Data 1
40	RT1	I	HiZ	Reserved. Must be connected to DGND for normal operation.
41	Package Pad ²	-	-	Not electrically connected, used for heat dissipation. Connect to DGND

Table 1 - 40 QFN Pin List

² Pin 41 is the package pad. See 40 QFN package dimensions for sizing. Connect to DGND.

Digital Features

Digital Signal Path

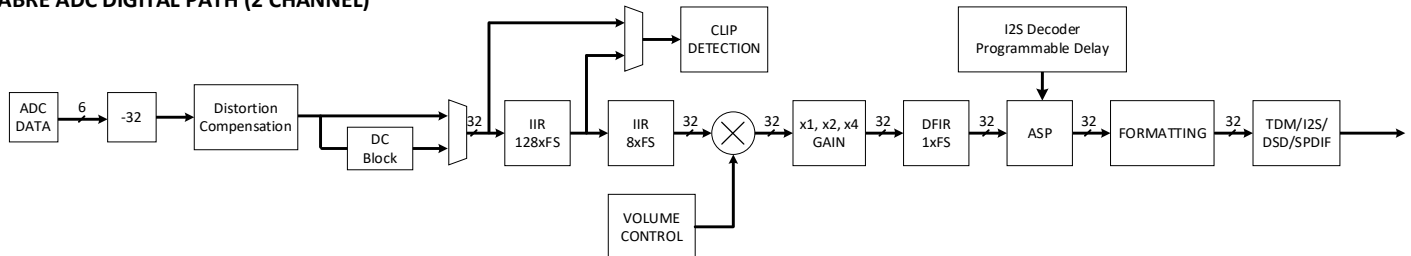
SABRE ADC DIGITAL PATH (2 CHANNEL)


Figure 3 - Digital signal path

Distortion Compensation³

Distortion Compensation minimizes the non-linearities of the ADCs. The ES9842 PRO can help compensate for system second and third harmonic distortion. For best results, compensation coefficients should be tuned for each device in-situ.

THD compensation can be enabled or bypassed by setting `ADCx_ENABLE_THD_COMP` for each channel.

THD Compensation Enable Registers

- Register 102[0]: `ADC1_ENABLE_THD_COMP`
- Register 119[0]: `ADC2_ENABLE_THD_COMP`
- Register 136[0]: `ADC3_ENABLE_THD_COMP`
- Register 153[0]: `ADC4_ENABLE_THD_COMP`

Ask your FAE or distributor for the Distortion Compensation application note.

Volume Control

This volume control is intended for use during audio playback. Each channel can be digitally attenuated from 0dB to -84dB in 0.5dB steps. The attenuation circuit automatically uses micro-stepping between 0.5dB register settings so that no switching noise occurs during the volume control transition. When a new volume level is set, the attenuation circuit will ramp softly to the new level. Each 0.5dB step takes up to 64 intermediate steps depending on the `CHx VOLUME RATE` setting.

Volume Level Configuration Registers

- Register 109-110: ADC CH1 VOLUME
- Register 126-127: ADC CH2 VOLUME
- Register 143-144: ADC CH3 VOLUME
- Register 160-161: ADC CH4 VOLUME

³ For more information on using Distortion Compensation, please reference the Distortion Compensation Application Note. Available from your local FAE upon request.

ES9842 PRO Product Datasheet

Volume Rate Configuration Registers

- Register 111: ADC CH1 VOLUME RATE
- Register 128: ADC CH2 VOLUME RATE
- Register 145: ADC CH3 VOLUME RATE
- Register 162: ADC CH4 VOLUME RATE

Audio Signal Processor (ASP)⁴

The ES9842 PRO includes 2 stereo audio signal processors (ASP) which can be used to implement both custom filter coefficients as well as custom filter architectures. This feature may also be used to implement a programmable equalizer (PEQ), and other applications.

See Digital Signal Path diagram for location in the data path.

The ASP can be used to implement a DC blocking high pass filter.

ASP Registers:

- Registers 35-58

Ask your FAE or distributor for the Distortion Compensation application note.

Peak Detection⁵

If the peak level of the ES9842 PRO device's input audio stream rises above the programmed ADC#_PEAK_LEVEL value, the corresponding peak flag will be set. The peak flag will stay set until it is cleared with INTERRUPT_CLEAR_CH#_PEAK_DETECTION. Any of the GPIO pins can be configured to output the state of any of the peak flags if INTERRUPT_MASK_CH#_PEAK_DETECTION is set for the corresponding channel.

Peak Level Registers:

- Register 106: ADC CH1 PEAK DETECTOR LEVEL
- Register 123: ADC CH2 PEAK DETECTOR LEVEL
- Register 140: ADC CH3 PEAK DETECTOR LEVEL
- Register 157: ADC CH4 PEAK DETECTOR LEVEL

Peak Interrupt Clear Registers:

- Register 27[7]: INTERRUPT_CLEAR_CH4_PEAK_DETECTION
- Register 27[6]: INTERRUPT_CLEAR_CH3_PEAK_DETECTION
- Register 27[5]: INTERRUPT_CLEAR_CH2_PEAK_DETECTION
- Register 27[4]: INTERRUPT_CLEAR_CH1_PEAK_DETECTION

⁴ For help with designing with the ASP, please reference the ASP GUIDE Application Note. Available from your local FAE upon request.

⁵ For further information on using Peak Detection, please reference the peak detector configuration application note. Available from your local FAE upon request

Peak Interrupt Mask Registers

- Register 27[3]: INTERRUPT_MASK_CH4_PEAK_DETECTION
- Register 27[2]: INTERRUPT_MASK_CH3_PEAK_DETECTION
- Register 27[1]: INTERRUPT_MASK_CH2_PEAK_DETECTION
- Register 27[0]: INTERRUPT_MASK_CH1_PEAK_DETECTION

The GPIO READBACK register values 4'd4 – 4'd7 output the peak interrupt state for CH1 to CH4, respectively. The corresponding channel bit in Register 27[3:0] INTERRUPT_CLEAR_CH#_PEAK_DETECTION needs to be set for the GPIO to output the flag value.



ES9842 PRO Product Datasheet

I2S decoder and Programmable Delay

The ES9842 PRO has a built in I2S decoder that can be mixed with the ASP. A programmable delay is also included to help with phase correction when mixing.

I2S Decoder Configuration Registers:

- Registers 59-60: I2S DECODER CONFIG

Programmable Delay Registers:

- Register 62-61[9]: ENABLE_CLK_DL
- Registers 62-61[8:0]: PROG_DELAY_LINE

Configuration pins for I2S decoder:

- GPIO 1: BCK
- GPIO 2: WS
- GPIO 5: DATA (would be configured as an AUX Input through the GPIO configuration)

Mixing is accomplished using the ASP registers expanded on under the Audio Signal Processor (ASP) section.

TDM Cascade Mode

The ES9842 PRO features TDM cascade mode. Cascade mode allows the digital output from one chip to be input (through GPIO4) to the next, and the last chip on the chain outputting the final data on serial data line. To enable TDM Cascade mode, set TDM_CASCADE to 1, and configure GPIO4 as input and GPIO3 as output. The figure below shows how several ES9842 PRO can be combined in TDM cascade mode.

Note: Cascade mode is for a minimum of an 8 channel TDM data line (TDM_CH_NUM ≥ 7).

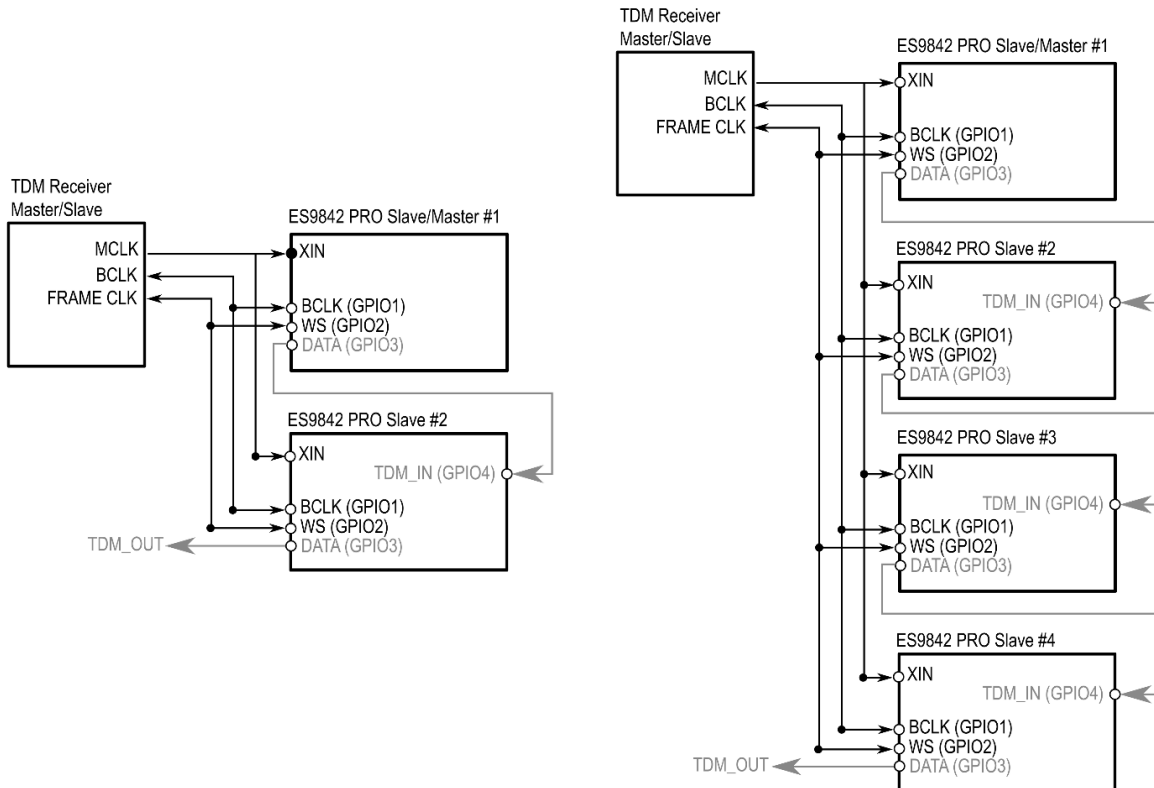
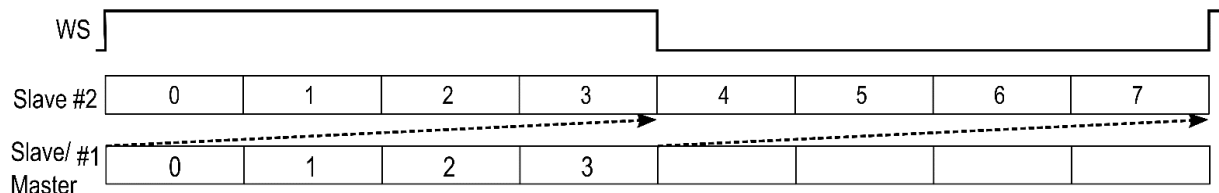


Figure 4 - Connection for TDM Cascade Mode

8 channel TDM:



ES9842 PRO Product Datasheet

16 channel TDM:

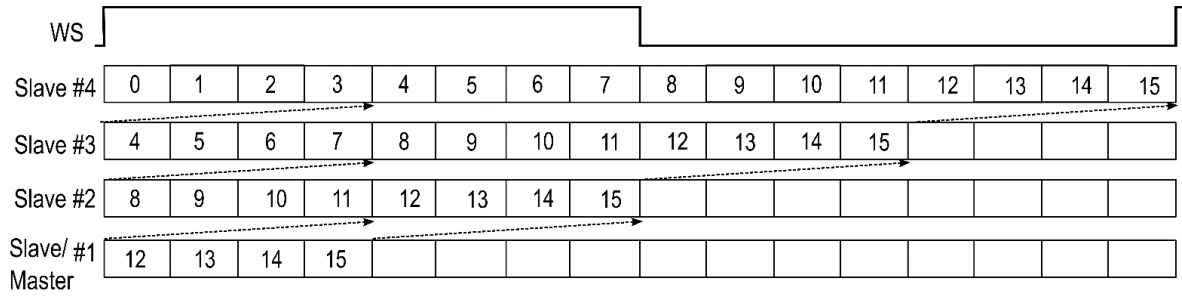


Figure 5 - Channel cascading and data line composition in TDM cascade mode for 8ch and 16ch TDM data lines

TDM / PCM Parallel Mode

The ES9842 PRO also supports TDM / PCM in parallel mode. In this case, the chips will simply connect the output data line together. Each chip will output data during the designated slots during a single frame of the TDM / PCM data line, then switch to high impedance so that the next chip may output its data on to the TDM data line. To set up TDM parallel mode, no specific registers are required.

Note: Parallel mode supports TDM and I2S (TDM_CH_NUM ≥ 1).

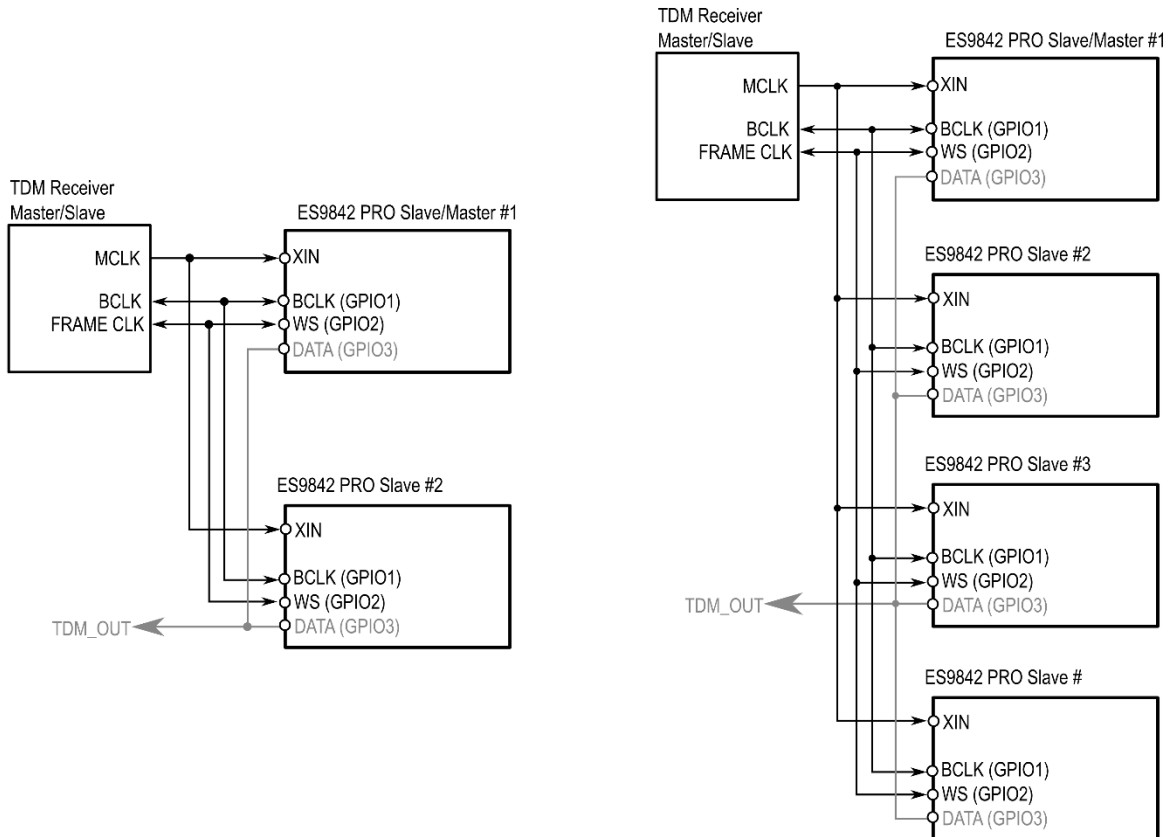


Figure 6 - Connection for Parallel TDM / PCM

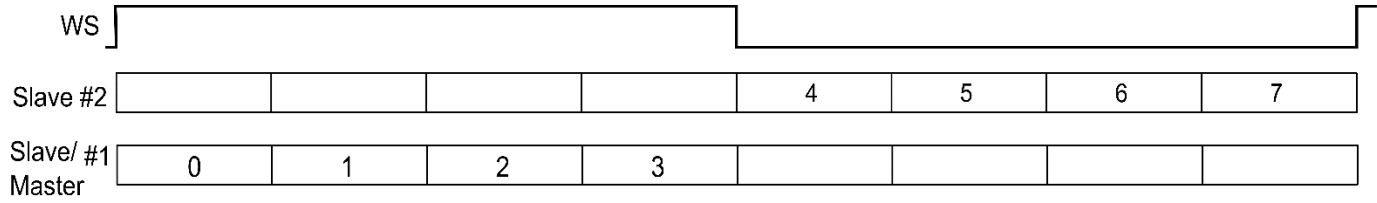
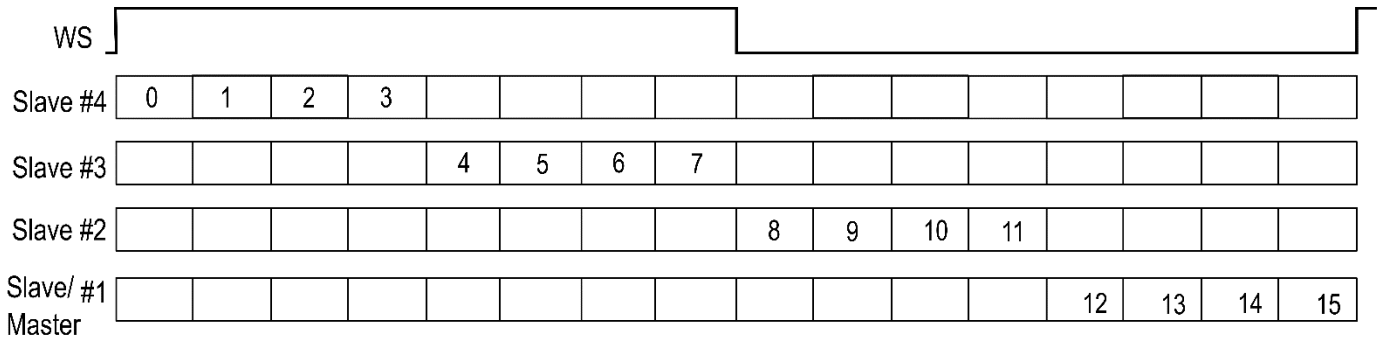
8 channel mode:

16 channel mode:


Figure 7 – Channel(slot), mapping and data line composition for TDM in parallel mode



GPIO

GPIO#_CONFIG	Function	I/O Direction
0	analog shutdown	Shutdown (default)
1	Aux Inputs	Inputs
2	Aux Outputs	Output
3	RAW data outputs	Output
4	Interrupt Ch1 peak	Output
5	Interrupt Ch2 peak	Output
6	Interrupt Ch3 peak	Output
7	Interrupt Ch4 peak	Output
8	SPDIF data output	Output
9	PWM1	Output
10	PWM2	Output
11	PWM3	Output
12	CLK IADC	Output
13	CLK ADC	Output
14	1'b0	Output
15	1'b1	Output

Table 2 – Standard GPIO Functions

For configuring pins as inputs, outputs, or Input/Outputs:

- Input pin
 - Registers 87-86: GPIOxx_IE = 1'b1 (Input Enable),
 - Registers 89-88: GPIOxx_OE = 1'b0 (Input Enable),
- Output pin
 - Registers 87-86: GPIOxx_IE = 1'b0
 - Registers 89-88: GPIOxx_OE = 1'b1
- In/Out pin (Master Mode)
 - Registers 87-86: GPIOxx_IE = 1'b1
 - Registers 89-88: GPIOxx_OE = 1'b1

In Master mode GPIO1 & GPIO 2 should be configured as In/Out pins.

Data pins may be re-mapped to other GPIO via the System Registers. When utilizing GPIO pins 4-6, it is important to enable the TDM_GPIO456 bit.

GPIO 4-6 TDM Enable Register

- Register 11[7]: TDM_GPIO456

TDM GPIO Re-mapping Registers

- Register 12[6:5]: TDM_LINE_SEL_CH1
- Register 13[6:5]: TDM_LINE_SEL_CH2
- Register 14[6:5]: TDM_LINE_SEL_CH3
- Register 15[6:5]: TDM_LINE_SEL_CH4

GPIO Configuration Registers

- Register 74: GPIO1/2 CONFIG
- Register 75: GPIO3/4 CONFIG
- Register 76: GPIO5/6 CONFIG
- Register 77: GPIO7/8 CONFIG
- Register 78: GPIO9/10 CONFIG
- Registers 80-91

ES9842 PRO Product Datasheet

GPIO Audio Data Configurations

The following table shows the configurations possible using GPIO#_config Aux Inputs, Aux Outputs, and RAW data outputs on the ES9842 PRO.

In certain modes, the data output pins may be re-mapped to GPIO pins 4-6. These scenarios are labeled “[optional]” in the table below. The channel order may also be changed in these modes. Although it is not denoted in the table, the data output in Slave Mode may also be re-mapped to the same pins.

GPIO #	1 (AUX Inputs) (Slave mode)	2 (AUX Outputs) (Master mode)				3 (Raw Data Output)
GPIO1	I2S/TDM in BCK, DSD in clock	I2S master BCK	TDM master BCK	DSD master clock out	PDM clock	Raw Data Clock output
GPIO2	I2S/TDM in WS	I2S master WS	TDM master WS	-	-	Raw Data[0] out
GPIO3	-	I2S out DATA [optional] ⁶ (default)	TDM out DATA [optional] ⁶ (default)	DSD out DATA ⁷	PDM out DATA	Raw Data[1] out
GPIO4	TDM cascade data input Cascade mode for multiple devices	I2S out DATA [optional] ⁶	TDM out DATA [optional] ⁶	DSD out DATA ⁷	PDM out DATA	Raw Data[2] out
GPIO5	I2S decoder data input	I2S out DATA [optional] ⁶	TDM out DATA [optional] ⁶	DSD out DATA ⁷	-	Raw Data[3] out
GPIO6	-	I2S out DATA [optional] ⁶	TDM out DATA [optional] ⁶	DSD out DATA ⁷	-	Raw Data[4] out
GPIO7	-	-	-	-	-	Raw Data[5] out
GPIO8	-	-	-	-	-	Raw Data[6] out
GPIO9	-	INTERRUPT (Triggered by any of the 4 channels)				INTERRUPT
GPIO10	-	-	-	-	-	-
GPIO11	-	-	-	-	-	-

Table 3 - GPIO Audio Data Configurations

⁶ Using the [TDM GPIO Re-mapping Registers](#), the data may be configured to output GPIO pins 4-6. In order to do this, Register 11[7]: TDM_GPIO456 must also be enabled.

⁷ The DSD channel order can be changed via Register 19: DSD_DATA_OUTPUT_MAPPING.

Pre-Programmed Digital Filters

The ES9842 PRO has 8 pre-programmed digital filters.

The following table shows the simulated latency of each filter at 44.1kHz sampling rate. The latency was measured at the peak amplitude of the impulse response prior to being down sampled to 1FS. Latency delay will reduce (scale) with sampling rate.

Digital Filter	Delay(us) @ fs=44.1kHz
Minimum Phase (default)	142 μ s
Linear Phase Apodizing	805 μ s
Linear Phase Fast Roll-Off	808 μ s
Linear Phase Fast Roll-Off Low Ripple	799 μ s
Linear Phase Slow Roll-Off	184 μ s
Minimum Phase Fast Roll-Off	128 μ s
Minimum Phase Slow Roll-Off	105 μ s
Minimum Phase Slow Roll-Off Low Dispersion	329 μ s

Table 4 - Pre-Programmed Digital Filters

ES9842 PRO Product Datasheet

PCM Filter Properties

The following filter properties were obtained from software simulations of these filters.

Minimum Phase					
Parameter	Conditions	MIN	TYP	MAX	UNIT
Pass band	-3 dB			0.48 x fs	Hz
Stop band	-103 dB	0.55 x fs			Hz
Group Delay		3.43/fs		10.66fs	s
Flatness (ripple)	-				dB

Linear Phase Apodizing					
Parameter	Conditions	MIN	TYP	MAX	UNIT
Pass band				0.41 x fs	Hz
Stop band	-109 dB	0.50 x fs			Hz
Group Delay			33.25/fs		s
Flatness (ripple)	0.0022				dB

Linear Phase Fast Roll-Off					
Parameter	Conditions	MIN	TYP	MAX	UNIT
Pass band				0.46 x fs	Hz
Stop band	-116 dB	0.55 x fs			Hz
Group Delay			33.38/fs		s
Flatness (ripple)	0.0025				dB

Linear Phase Fast Roll-Off Low Ripple					
Parameter	Conditions	MIN	TYP	MAX	UNIT
Pass band				0.46 x fs	Hz
Stop band	-83 dB	0.55 x fs			Hz
Group Delay			33.00/fs		s
Flatness (ripple)	0.00092				dB

Linear Phase Slow Roll-Off					
Parameter	Conditions	MIN	TYP	MAX	UNIT
Pass band	-3 dB			0.50 x fs	Hz
Stop band	-84 dB	0.81 x fs			Hz
Group Delay			5.87/fs		s
Flatness (ripple)	-				dB



Minimum Phase Fast Roll-Off					
Parameter	Conditions	MIN	TYP	MAX	UNIT
Pass band	-3 dB			0.48 x fs	Hz
Stop band	-97 dB	0.54 x fs			Hz
Group Delay		2.91/fs		9.27/fs	s
Flatness (ripple)	-				dB

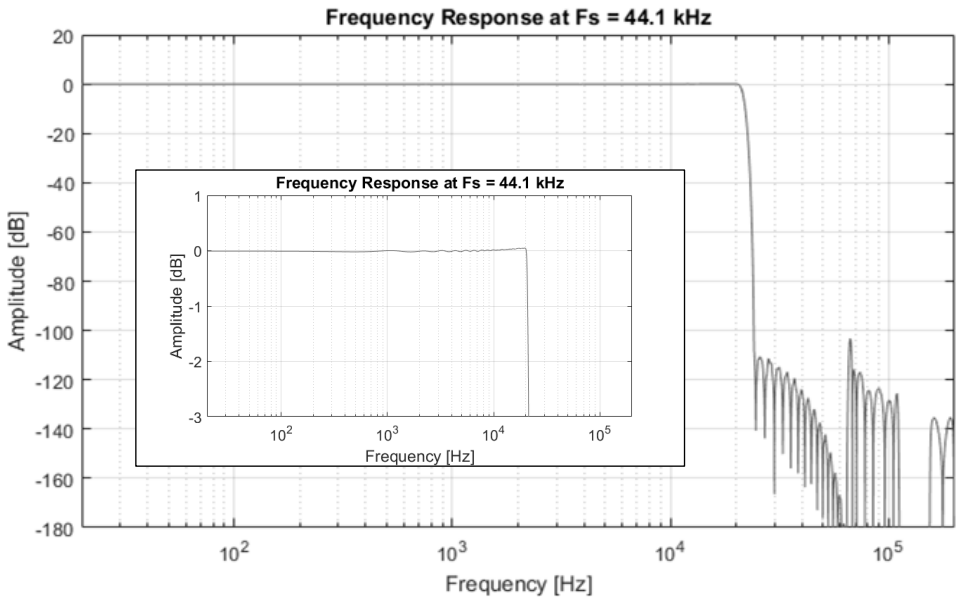
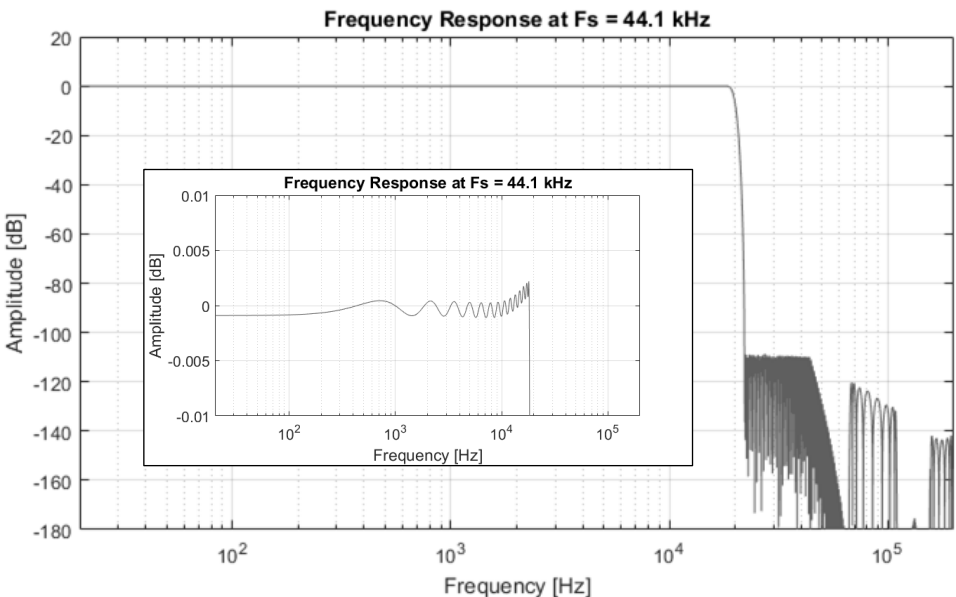
Minimum Phase Slow Roll-Off					
Parameter	Conditions	MIN	TYP	MAX	UNIT
Pass band	-3 dB			0.43 x fs	Hz
Stop band	-90 dB	0.80 x fs			Hz
Group Delay		2.03/fs		2.53/fs	s
Flatness (ripple)	-				dB

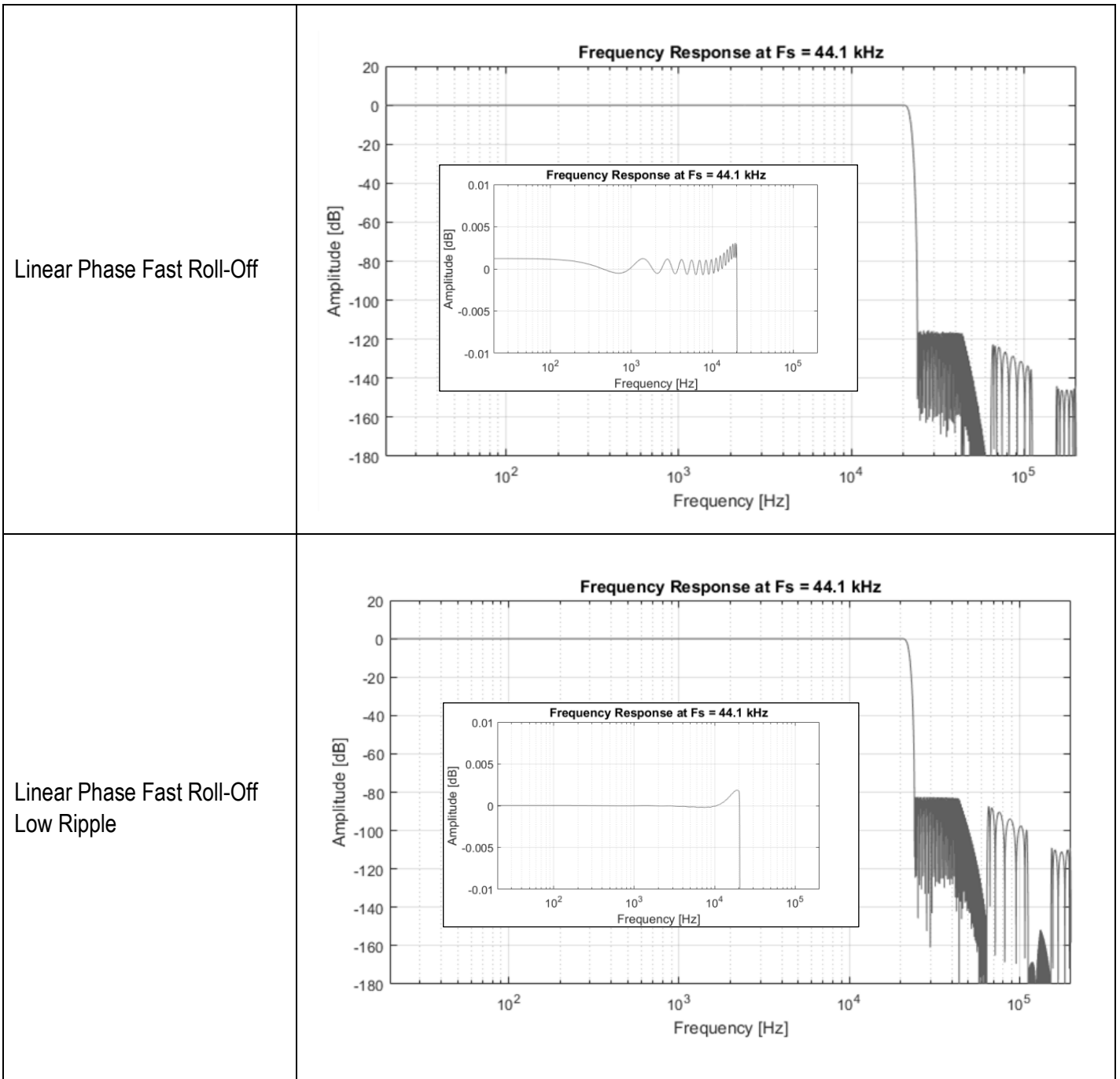
Minimum Phase Slow Roll-off Low Dispersion					
Parameter	Conditions	MIN	TYP	MAX	UNIT
Pass band	-3 dB			0.43 x fs	Hz
Stop band	-90 dB	0.80 x fs			Hz
Group Delay		12.13/fs		12.21/fs	s
Flatness (ripple)	-				dB

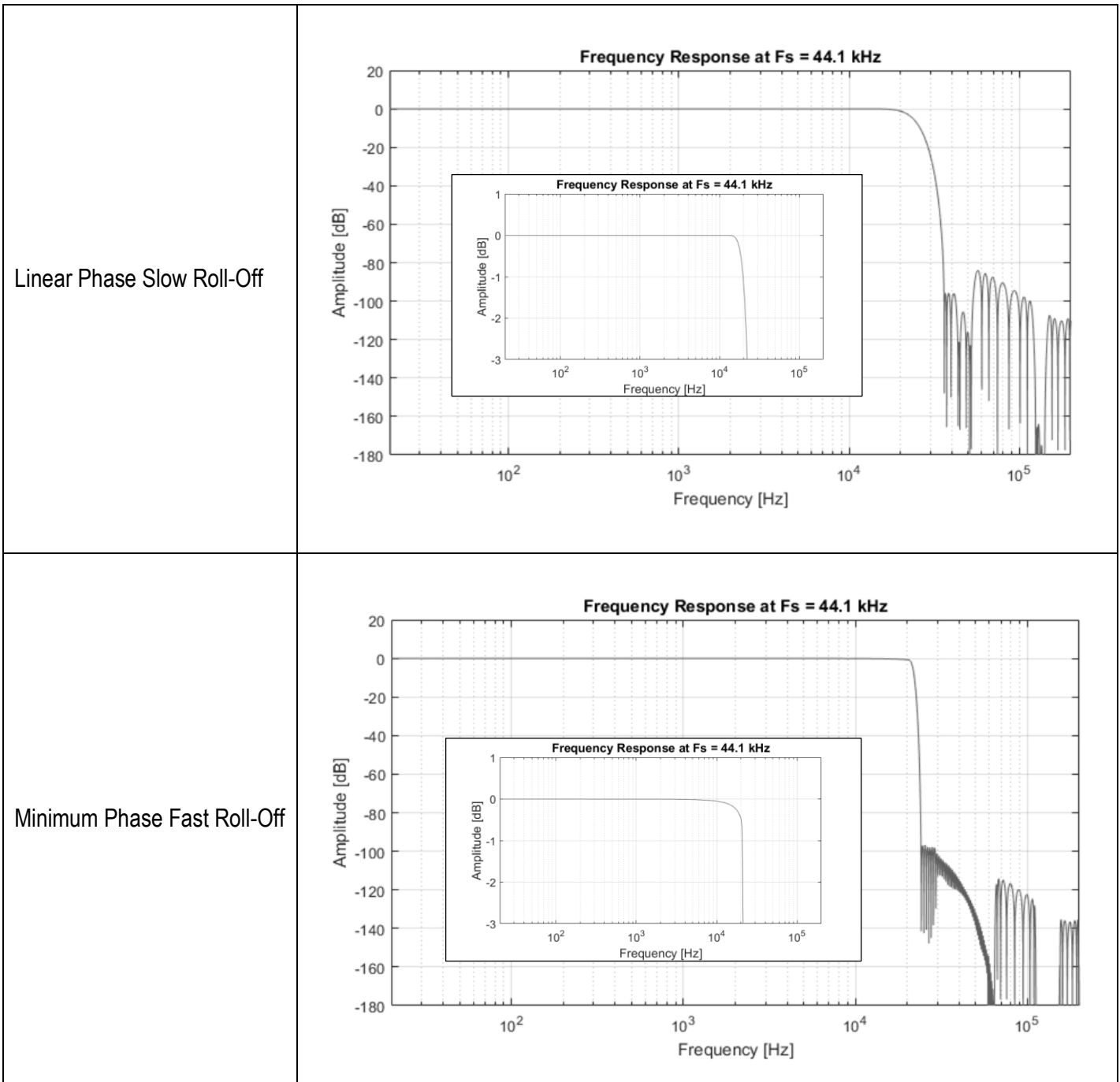
ES9842 PRO Product Datasheet

PCM Filter Frequency Response

The following frequency responses were obtained from software simulations of these filters. The simulation sample rate is 44.1kHz.

Filter	Frequency Response
Minimum Phase	
Linear Phase Apodizing	





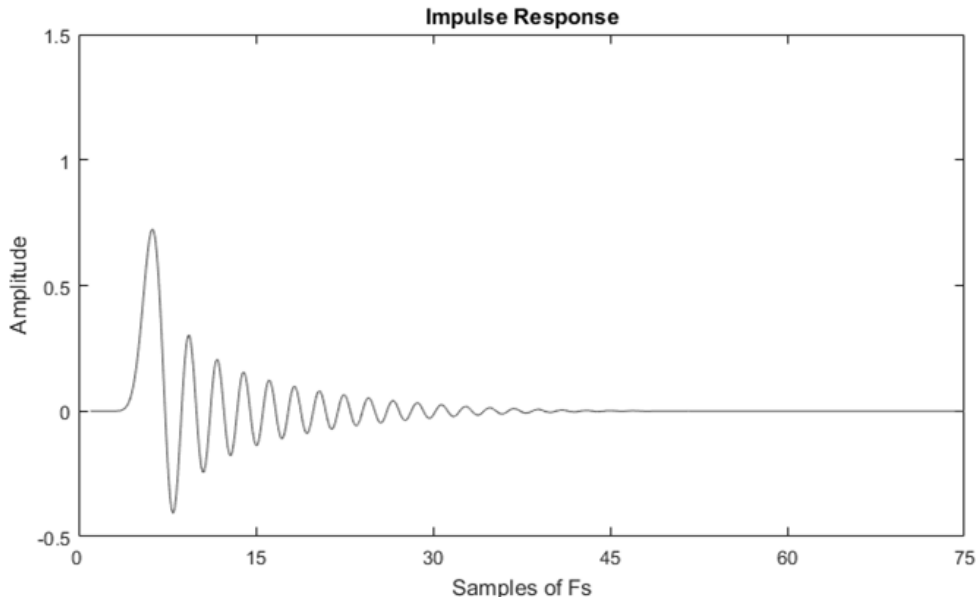
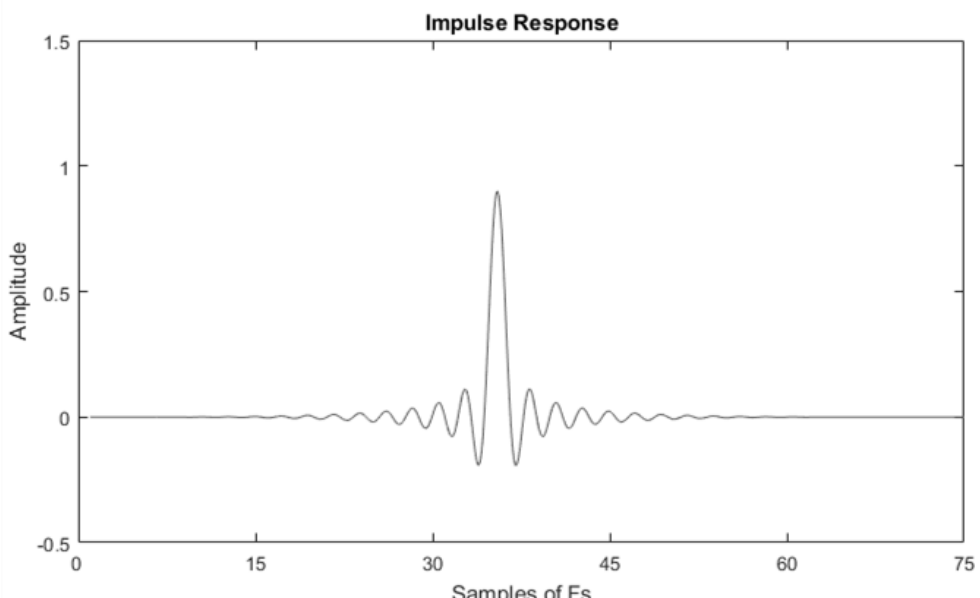
Minimum Phase Slow Roll-Off	<p>The graph shows the frequency response of a PCM filter at a sampling rate of 44.1 kHz. The x-axis is Frequency [Hz] on a logarithmic scale from 10² to 10⁵. The y-axis is Amplitude [dB] from -180 to 20. The response is flat at 0 dB until approximately 10⁴ Hz, then rolls off to -120 dB at 10⁵ Hz. An inset graph shows a zoomed-in view of the roll-off region from 10³ Hz to 10⁵ Hz, with amplitude from -3 dB to 1 dB.</p>
Minimum Phase Slow Roll-Off Low Dispersion	<p>The graph shows the frequency response of a PCM filter at a sampling rate of 44.1 kHz. The x-axis is Frequency [Hz] on a logarithmic scale from 10² to 10⁵. The y-axis is Amplitude [dB] from -180 to 20. The response is flat at 0 dB until approximately 10⁴ Hz, then rolls off to -120 dB at 10⁵ Hz. An inset graph shows a zoomed-in view of the roll-off region from 10³ Hz to 10⁵ Hz, with amplitude from -3 dB to 1 dB.</p>

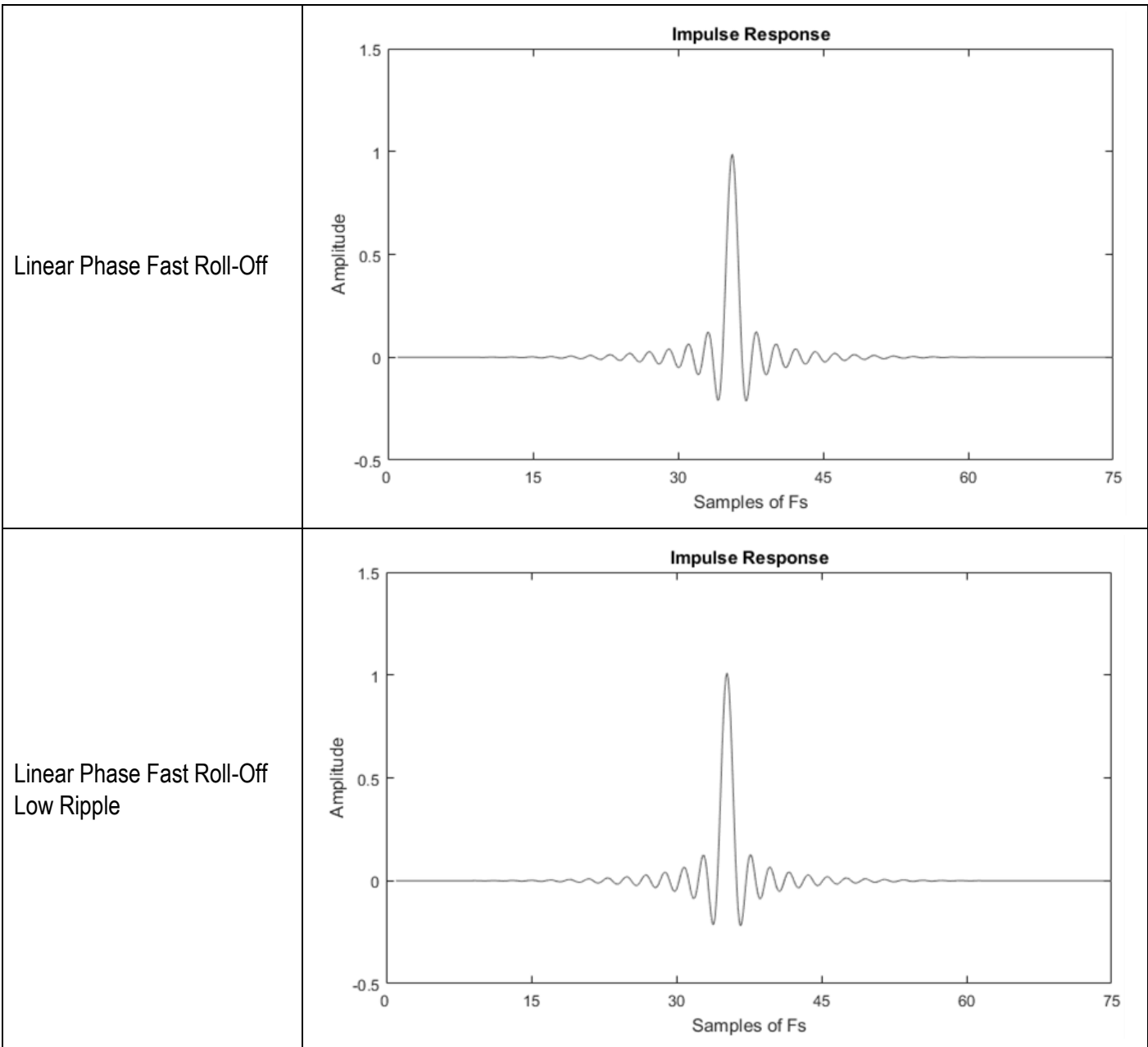
Table 5 - PCM Filter Frequency Response

ES9842 PRO Product Datasheet

PCM Filter Impulse Response

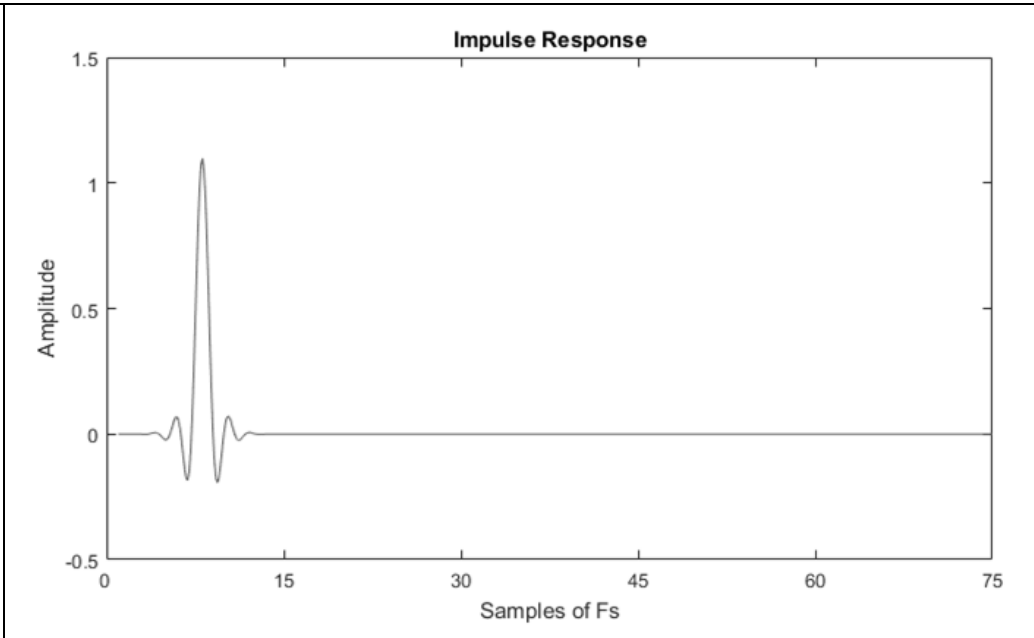
The following impulse responses were obtained from software simulations of these filters. The impulse responses reported below show the decimation path prior to down-sampling to 1FS and are scaled accordingly.

Filter	Impulse Response
Minimum Phase	
Linear Phase Apodizing	

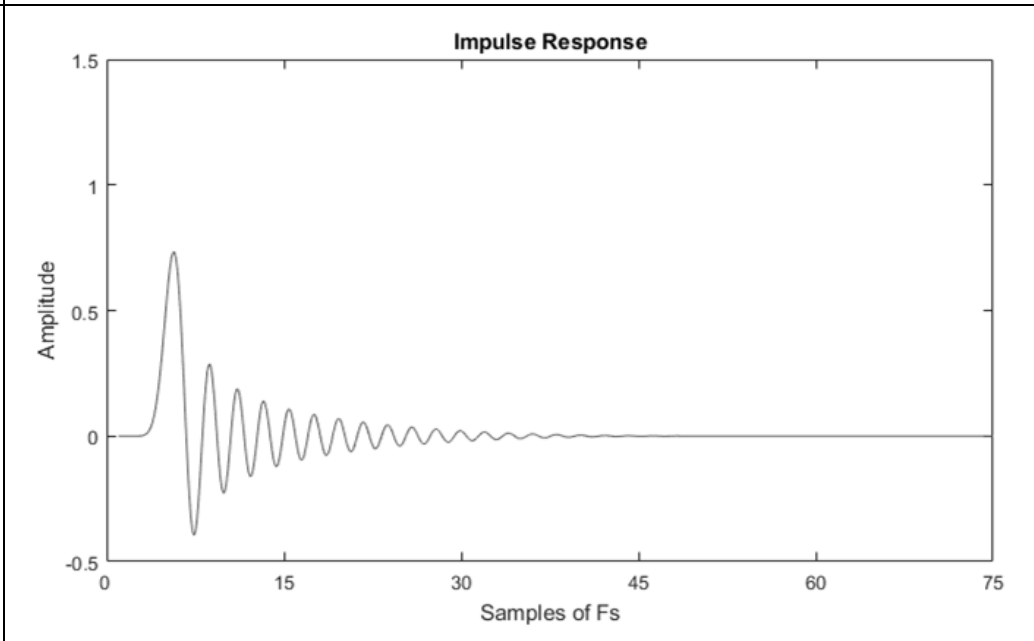




Linear Phase Slow Roll-Off



Minimum Phase Fast Roll-Off



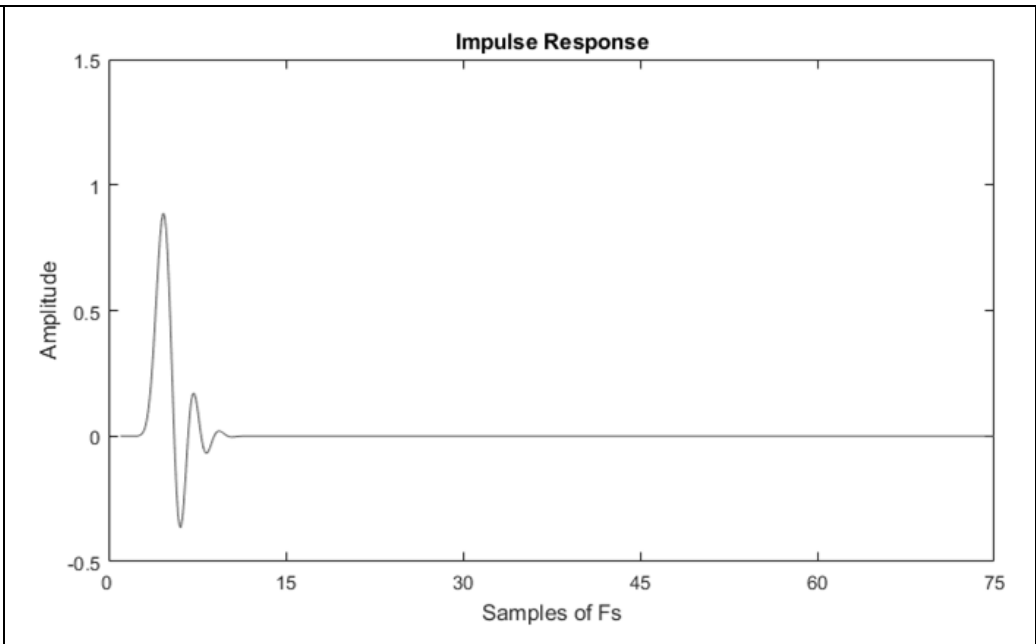
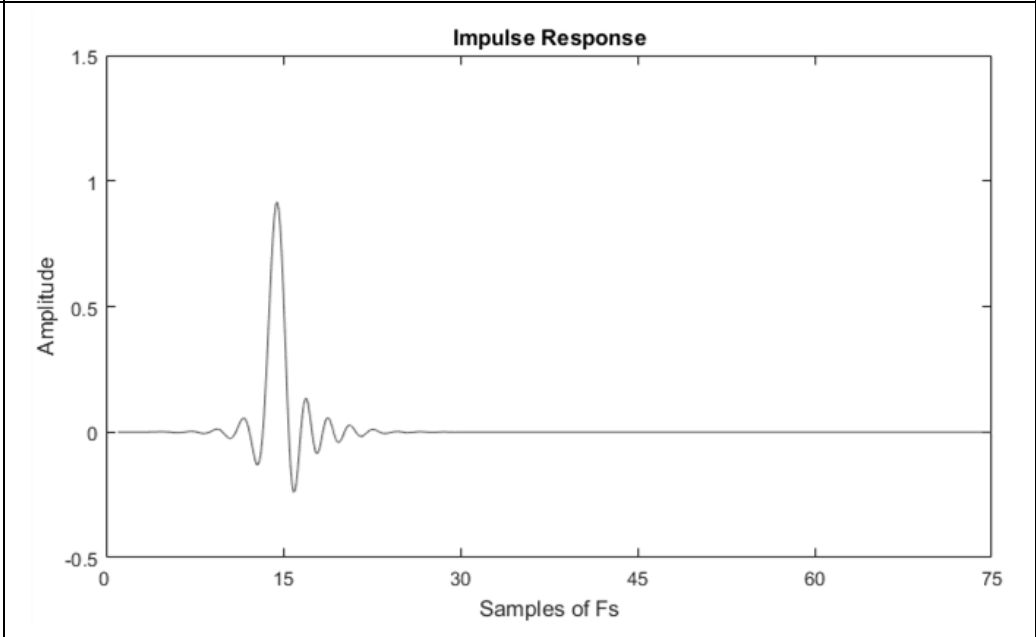
<p>Minimum Phase Slow Roll-Off</p>	
<p>Minimum Phase Slow Roll-Off Low Dispersion</p>	

Table 6 - PCM Filter Impulse Response

ES9842 PRO Product Datasheet

64FS Mode

When 64FS (MCLK/FS ratio) is required, it is necessary for the ES9826 to be running in 64FS Mode. 64FS Mode can be manually entered by setting Register 0[3] ENABLE_64FS_MODE to 1'b1.

- Register 0[3] ENABLE_64FS_MODE
 - Use for 64FS ratios, including 705.6/768kHz sample rates

This mode enables the Minimum phase 64FS filter. See filter properties below.

Note: 64FS mode is not supported in Hardware mode (HW).

Minimum Phase 64FS Latency

The following table shows the simulated latency at 705.6kHz sampling rate. The latency was measured at the peak amplitude of the impulse response prior to being down-sampled to 1FS. Latency delay will reduce (scale) with sampling rate.

Digital Filter	Delay(us) @ fs= 705.6 kHz
Minimum Phase 64FS	9.2 us

Table 7 – Minimum Phase 64FS Delay

Minimum Phase 64FS Properties

Minimum Phase 64FS					
Parameter	Conditions	MIN	TYP	MAX	UNIT
Pass band	-3 dB			0.55 x fs	Hz
Stop band	-100 dB	0.91 x fs			Hz
Group Delay		2.24/fs		4.03/fs	s
Flatness (ripple)	-				dB

Table 8 – Minimum Phase 64FS Properties

Minimum Phase 64FS Frequency Response

This filter gets selected when Register 0[3] ENABLE_64FS_MODE is set, for MCLK/FS = 64 conditions.

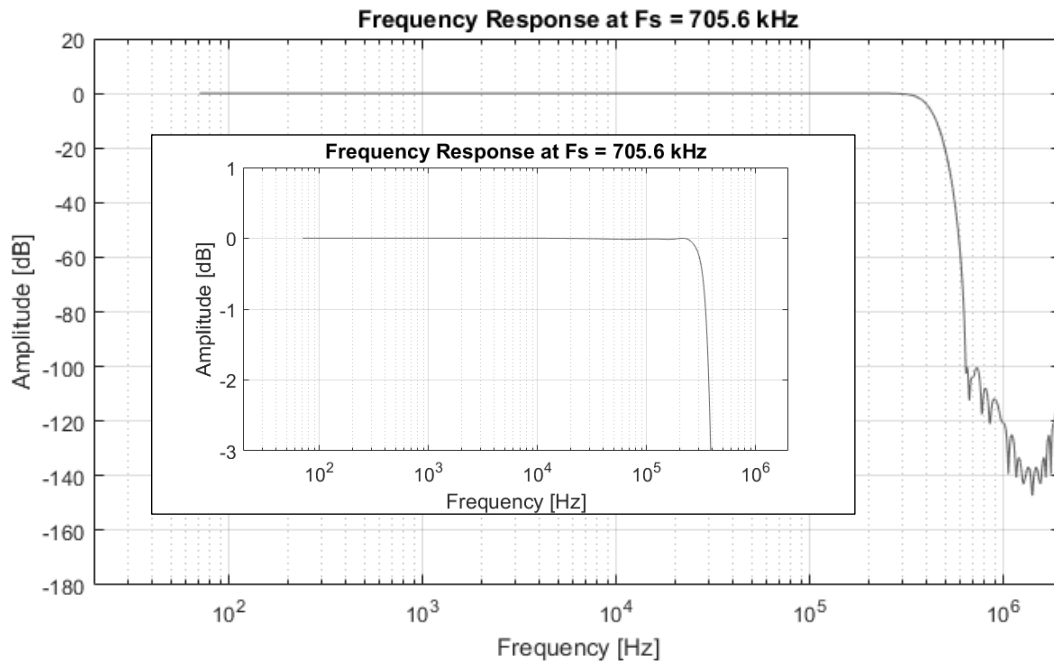


Figure 8 – Minimum Phase 64FS Frequency Response

Minimum Phase 64FS Impulse Response

The following impulse responses were obtained from software simulations of these filters. The impulse responses reported below show the decimation path prior to down-sampling to 1FS and are scaled accordingly.

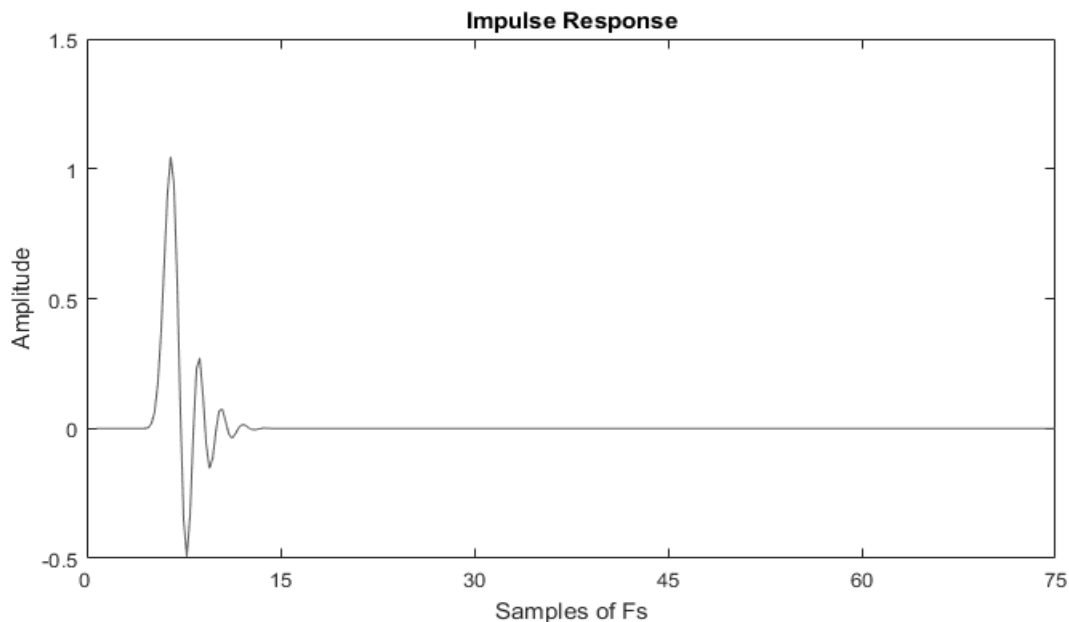


Figure 9 – Minimum Phase 64FS Impulse Response

Clock Distribution

The ES9842 PRO includes features for selecting and manipulating the input clock source.

The minimum MCLK frequency is 22.579MHz.

When using 24.576 MHz or 22.579 MHz BCK, it is preferable to use GPIO4-6 as the data output.

- Register 74-91 (GPIOx/x_CONFIG) – set desired GPIO as AUX output and enable output mode.
- Register 12-15[6:5] (TDM_LINE_SEL_CHx) – change TDM Line Select to desired GPIO.
- Register 11[7] (TDM_GPIO456) – Enable TDM on GPIO456

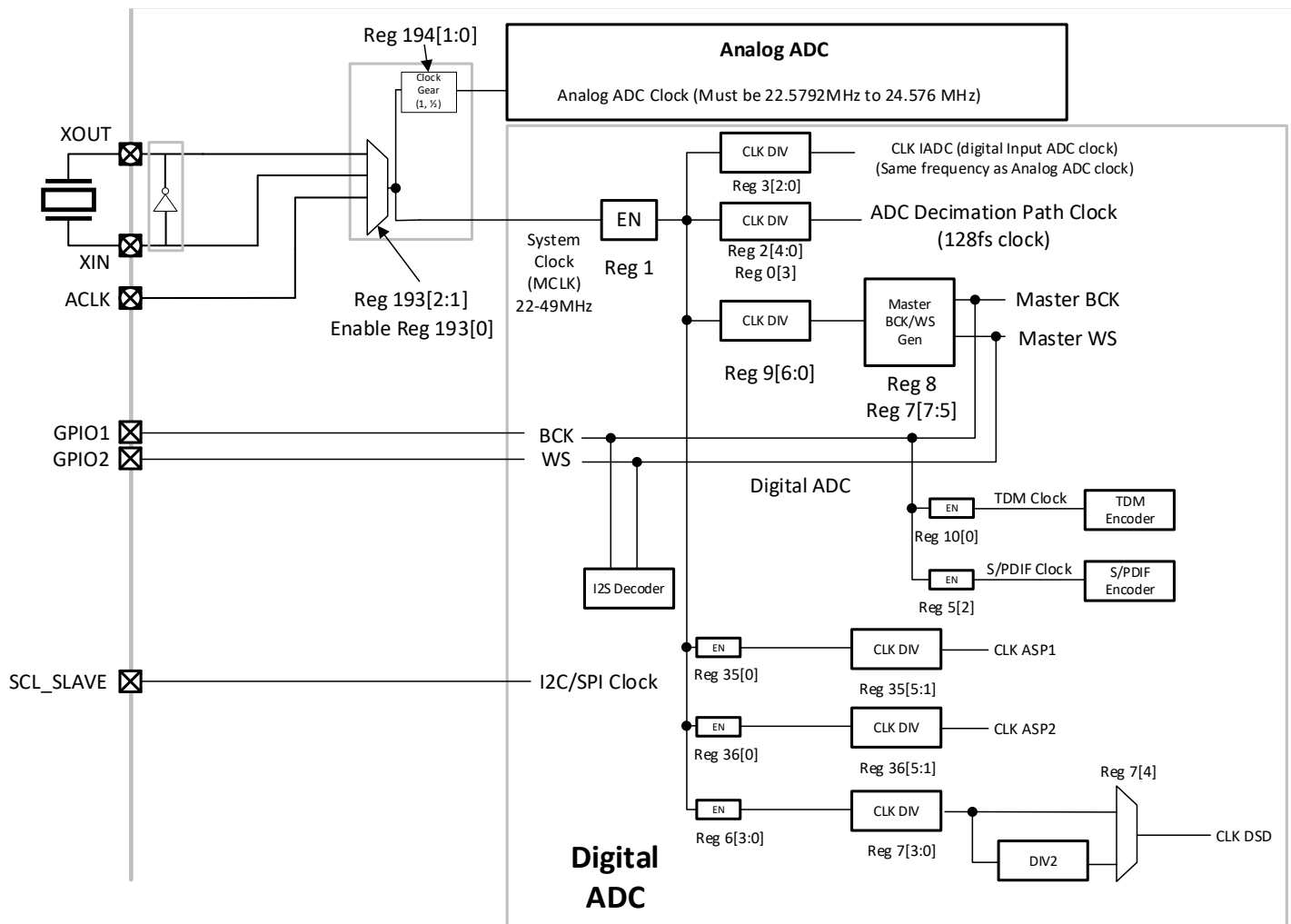


Figure 10 - ES9842 PRO Clock Distribution

The following list shows the various clocks of the ES9842 PRO and the associated registers for configuration.

Analog ADC Clock

ADC clock must be maintained to be between 22.5792MHz & 24.576MHz

- Register 194[0] (SEL_CLK_DIV)
- Register 193[2:1] (SEL_SYSCLK_IN)
- Register 193[0] (EN_ANA_CLKIN)

IADC Clock (Digital Input ADC clock)

Set to the same clock frequency as the analog ADC clock, digital sampling.

- Register 3[2:0] (SELECT_IADC_NUM)
 - Set this so it matches Analog ADC clock of 22.5792 or 24.576MHz.
- Register 1
 - Dependent on channels required.
- Register 193[2:1] (SEL_SYSCLK_IN)
- Register 193[0] (EN_ANA_CLKIN)

ADC Decimation Path Clock

- Register 2[4:0] (SELECT_ADC_NUM)
- Register 1
 - Dependent on channels required.
- Register 9[6:0] (SELECT_I2S_TDM_NUM)
- Register 193[2:1] (SEL_SYSCLK_IN)
- Register 193[0] (EN_ANA_CLKIN)

Master BCK & WS

- Register 8
- Register 7[7:5] MASTER_WS_SCALE
- Register 9[6:0] SELECT_I2S_TDM_NUM
- Register 193[2:1] (SEL_SYSCLK_IN)
- Register 193[0] (EN_ANA_CLKIN)

TDM Clock

- Register 10[0] (ENABLE_TDM_CLK)

S/PDIF Clock

- Register 5[2] (ENABLE_SPDIF_CLK)

ES9842 PRO Product Datasheet

ASP1 Clock

- Register 35[0] (ENABLE_ASP1_CLK)
- Register 35[5:1] (SELECT_ASP1_NUM)
- Register 1
 - Dependent on channels required.
- Register 193[2:1] (SEL_SYSCLK_IN)
- Register 193[0] (EN_ANA_CLKIN)

ASP2 Clock

- Register 36[0] (ENABLE_ASP2_CLK)
- Register 36[5:1] (SELECT_ASP2_NUM)
- Register 1
 - Dependent on channels required.
- Register 193[2:1] (SEL_SYSCLK_IN)
- Register 193[0] (EN_ANA_CLKIN)

I2S Decoder Clock

- Uses BCK / WS

I2S Master Clock Rate Configurations

WS can be scaled down further than shown via Register 7[7:5] MASTER_WS_SCALE.

MCLK Frequency	WS [kHz]	BCK [MHz]	Bits	Channels	Register 2 [4:0] SELECT_ADC_NUM		Register 9 [6:0] SELECT_I2S_TDM_NUM		Register 11 [5] TDM_LENGTH	
					Value	Divider	Value	Divider	Value	Length
22.579 MHz	44.1	2.822	32	2	5'd3	4	7'd3	4	1'b0	32
	88.2	5.645		2	5'd1	2	7'd1	2	1'b0	32
	176.4	11.290		2	5'd0	1	7'd0	1	1'b0	32
	44.1	1.411	16	2	5'd3	4	7'd3	4	1'b1	16
	88.2	2.822		2	5'd1	2	7'd1	2	1'b1	16
	176.4	5.645		2	5'd0	1	7'd0	1	1'b1	16
24.576 MHz	48	3.072	32	2	5'd3	4	7'd3	4	1'b0	32
	96	6.144		2	5'd1	2	7'd1	2	1'b0	32
	192	12.288		2	5'd0	1	7'd0	1	1'b0	32
	48	1.536	16	2	5'd3	4	7'd3	4	1'b1	16
	96	3.072		2	5'd1	2	7'd1	2	1'b1	16
	192	6.144		2	5'd0	1	7'd0	1	1'b1	16
45.158 MHz	44.1	2.822	32	2	5'd7	8	7'd7	8	1'b0	32
	88.2	5.645		2	5'd3	4	7'd3	4	1'b0	32
	176.4	11.290		2	5'd1	2	7'd1	2	1'b0	32
	352.8	22.579		2	5'd0	1	7'd0	1	1'b0	32
	44.1	1.411	16	2	5'd7	8	7'd7	8	1'b1	16
	88.2	2.822		2	5'd3	4	7'd3	4	1'b1	16
	176.4	5.645		2	5'd1	2	7'd1	2	1'b1	16
	352.8	11.290		2	5'd0	1	7'd0	1	1'b1	16
49.152 MHz	48	3.072	32	2	5'd7	8	7'd7	8	1'b0	32
	96	6.144		2	5'd3	4	7'd3	4	1'b0	32
	192	12.288		2	5'd1	2	7'd1	2	1'b0	32
	384	24.576		2	5'd0	1	7'd0	1	1'b0	32
	48	1.536	16	2	5'd7	8	7'd7	8	1'b1	16
	96	3.072		2	5'd3	4	7'd3	4	1'b1	16
	192	6.144		2	5'd1	2	7'd1	2	1'b1	16
	384	12.288		2	5'd0	1	7'd0	1	1'b1	16

Table 9 - I2S Master Clock Rate Configurations



I2S Slave Clock Rate Configurations

MCLK Frequency	WS [kHz]	BCK	Channels	Register 2 [4:0] SELECT_ADC_NUM		Register 0 [3] ENABLE_64FS_MODE	
				Value	Divider	Value	Multiplier
22.579 MHz	44.1	512FS	2	7'd3	4	1'b0	1x
	88.2	256FS	2	7'd1	2	1'b0	1x
	176.4	128FS	2	7'd0	1	1'b0	1x
	352.8	64FS	2	7'd0	1	1'b1	2x
24.576 MHz	48	512FS	2	7'd3	4	1'b0	1x
	96	256FS	2	7'd1	2	1'b0	1x
	192	128FS	2	7'd0	1	1'b0	1x
	384	64FS	2	7'd0	1	1'b1	2x
45.158 MHz	44.1	1024FS	2	7'd7	8	1'b0	1x
	88.2	512FS	2	7'd3	4	1'b0	1x
	176.4	256FS	2	7'd1	2	1'b0	1x
	352.8	128FS	2	7'd0	1	1'b0	1x
49.152 MHz	48	1024FS	2	7'd7	8	1'b0	1x
	96	512FS	2	7'd3	4	1'b0	1x
	192	256FS	2	7'd1	2	1'b0	1x
	384	128FS	2	7'd0	1	1'b0	1x

Table 10 - I2S Slave Clock Rate Configurations

TDM Slave Clock Rate Configurations

All configurations are 32-bit.

When using left justified mode (Register 10) remember to enable Register 33 – sync positive edge of frame to correct for phase differences.

MCLK Frequency	WS [kHz]	BCK [MHz]	TDM Mode	Channels	Register 2 [4:0] SELECT_ADC_NUM	
					Value	Divider
22.579 MHz	44.1	5.645	TDM 128	4	5'd3	4
	88.2	11.290		4	5'd1	2
	176.4	22.579		4	5'd0	1
	44.1	11.290	TDM 256	8	5'd3	4
	88.2	22.579		8	5'd1	2
	44.1	22.579	TDM 512	16	5'd3	4
24.576 MHz	48	6.144	TDM 128	4	5'd3	4
	96	12.288		4	5'd1	2
	192	24.576		4	5'd0	1
	48	12.288	TDM 256	8	5'd3	4
	96	24.576		8	5'd1	2
	48	24.576	TDM 512	16	5'd3	4
45.158 MHz	44.1	5.645	TDM 128	4	5'd7	8
	88.2	11.290		4	5'd3	4
	176.4	22.579		4	5'd1	2
	44.1	11.290	TDM 256	8	5'd7	8
	88.2	22.579		8	5'd3	4
	44.1	22.579	TDM 512	16	5'd7	8
49.152 MHz	48	6.144	TDM 128	4	5'd7	8
	96	12.288		4	5'd3	4
	192	24.576		4	5'd1	2
	48	12.288	TDM 256	8	5'd7	8
	96	24.576		8	5'd3	4
	48	24.576	TDM 512	16	5'd7	8

Table 11 - TDM Slave Clock Rate Configurations



TDM Master Clock Rate Configurations

When using left justified mode (Register 10) remember to enable Register 33 – sync positive edge of frame to correct for phase differences.

MCLK Frequency	WS [kHz]	BCK [MHz]	TDM Mode	Channels	Register 2 [4:0] SELECT_ADC_NUM		Register 9 [6:0] SELECT_I2S_TDM_NUM		Register 7 [7:5] MASTER_WS_S CALE		Register 8 [7] MASTER_BCK_DIV1	
					Value	Divider	Value	Divider	Value	Divider	Value	Divider
22.579 MHz	44.1	5.645	TDM 128	4	5'd3	4	7'd1	2	3'd1	2	1'b0	2
	88.2	11.290		4	5'd1	2	7'd0	1	3'd1	2	1'b0	2
	176.4	22.579		4	5'd0	1	7'd0	1	3'd0	1	1'b1	1
	44.1	11.290	TDM 256	8	5'd3	4	7'd0	1	3'd2	4	1'b0	2
	88.2	22.579		8	5'd1	2	7'd0	1	3'd1	2	1'b1	1
	44.1	22.579	TDM 512	16	5'd3	4	7'd0	1	3'd2	4	1'b1	1
24.576 MHz	48	6.144	TDM 128	4	5'd3	4	7'd1	2	3'd1	2	1'b0	2
	96	12.288		4	5'd1	2	7'd0	1	3'd1	2	1'b0	2
	192	24.576		4	5'd0	1	7'd0	1	3'd0	1	1'b1	1
	48	12.288	TDM 256	8	5'd3	4	7'd0	1	3'd2	4	1'b0	2
	96	24.576		8	5'd1	2	7'd0	1	3'd1	2	1'b1	1
	48	24.576	TDM 512	16	5'd3	4	7'd0	1	3'd2	4	1'b1	1
45.158 MHz	44.1	5.645	TDM 128	4	5'd7	8	7'd3	4	3'd1	2	1'b0	2
	88.2	11.290		4	5'd3	4	7'd1	2	3'd1	2	1'b0	2
	176.4	22.579		4	5'd1	2	7'd0	1	3'd1	2	1'b0	2
	44.1	11.290	TDM 256	8	5'd7	8	7'd1	2	3'd2	4	1'b0	2
	88.2	22.579		8	5'd3	4	7'd0	1	3'd2	4	1'b0	2
	44.1	22.579	TDM 512	16	5'd7	8	7'd0	1	3'd3	8	1'b0	2
49.152 MHz	48	6.144	TDM 128	4	5'd7	8	7'd3	4	3'd1	2	1'b0	2
	96	12.288		4	5'd3	4	7'd1	2	3'd1	2	1'b0	2
	192	24.576		4	5'd1	2	7'd0	1	3'd1	2	1'b0	2
	48	12.288	TDM 256	8	5'd7	8	7'd1	2	3'd2	4	1'b0	2
	96	24.576		8	5'd3	4	7'd0	1	3'd2	4	1'b0	2
	48	24.576	TDM 512	16	5'd7	8	7'd0	1	3'd3	8	1'b0	2

Table 12 - TDM Master Clock Rate Configurations

DSD Master Clock Rate Configurations

MCLK Frequency	BCK [MHz]	FS [kHz]	DSD Mode	Register 7 [3:0] SELECT_DSD_NUM		Register 7 [4] DSD_CLK_DIV2		Reg 2 [4:0] SELECT_ADC_NUM	
				Value	Divider	Value	Divider	Value	Divider
22.579 MHz	2.822	44.1	DSD 64	5'd3	4	1'b1	2	5'd7	8
	5.645	44.1	DSD 128	5'd1	2	1'b1	2	5'd7	8
	11.290	44.1	DSD 256	5'd0	1	1'b1	2	5'd7	8
45.158 MHz	2.822	44.1	DSD 64	5'd7	8	1'b1	2	5'd7	8
	5.645	44.1	DSD 128	5'd3	4	1'b1	2	5'd7	8
	11.290	44.1	DSD 256	5'd1	2	1'b1	2	5'd7	8
	22.579	44.1	DSD 512	5'd0	1	1'b1	2	5'd7	8

Table 13 - DSD Master Clock Rate Configurations

ES9842 PRO Product Datasheet

Digital Audio Output Port

Pins are configured in Master (AUX Output) or Slave (Aux Input) modes through GPIO Configurations.

PCM Pin Connections

See Audio Interface Timing (I2S) for timing criteria. Can select GPIO 5,6 for the datapath.

Pin Name	Function	Description
GPIO1	I2S BCLK	I2S clock (Master or Slave)
GPIO2	I2S WS	I2S WS (Master or Slave)
GPIO3	I2S DATA	I2S DATA out (selectable for 2 channels)
GPIO4	I2S DATA	I2S DATA out (selectable for 2 channels)

Table 14 - PCM Pin Connections

TDM Pin Connections

See Registers 7-15 for configuration, can select GPIO 4-6 for the datapath.

Pin Name	Function	Description
GPIO1	TDM BCK	TDM clock (Master or Slave)
GPIO2	TDM WS	TDM WS (Master or Slave)
GPIO3	TDM DATA	TDM DATA out (default)

Table 15 - TDM Pin Connections

DSD Pin Connections

DSD requires 1 pin per ADC channel, any channel can be mapped to any of the GPIOs (GPIO3-6). See Registers 6,7,19 for configuration.

Pin Name	Function	Description
GPIO1	DSD Clock	DSD Bit Clock (Master or Slave)
GPIO3	DSD DATA out	DSD data mapped to selected channel (Channel 1 default)
GPIO4	DSD DATA out	DSD data mapped to selected channel (Channel 2 default)
GPIO5	DSD DATA out	DSD data mapped to selected channel (Channel 3 default)
GPIO6	DSD DATA out	DSD data mapped to selected channel (Channel 4 default)

Table 16 - DSD Pin Connections



S/PDIF Pin Connections

S/PDIF Output is provided on GPIOs. Use GPIOx_CFG for S/PDIF output.

Pin Name	Description
GPIOx	GPIOx_CFG setting for GPIO of 4'd8 (S/PDIF output)

Table 17 - S/PDIF Pin Connections

ES9842 PRO Product Datasheet

RAW Pin Connections

RAW connections are configured by Registers 5,16,17. GPIOs need to be configured as well through Registers 74-77.

RAW data mode requires 8 GPIOs.

Pin Name	Function	Description
GPIO1	RAW Data Clock Output	Clock output in RAW mode
GPIO2	RAW Data [0] Output	Raw data bit 0
GPIO3	RAW Data [1] Output	Raw data bit 1
GPIO4	RAW Data [2] Output	Raw data bit 2
GPIO5	RAW Data [3] Output	Raw data bit 3
GPIO6	RAW Data [4] Output	Raw data bit 4
GPIO7	RAW Data [5] Output	Raw data bit 5
GPIO8	RAW Data [6] Output	Raw data bit 6

Table 18 - RAW Pin Connections

Digital Audio Input Port

PCM Pin Connections

See I2S decoder and Programmable Delay. Registers 59-62 for configuration, GPIOs need to be configured as well through Registers 74 & 76.

Pin Name	Function	Description
GPIO1	I2S BCLK	I2S clock for I2S decoder
GPIO2	I2S WS	I2S WS for I2S decoder
GPIO5	I2S DATA	I2S DATA for I2S decoder

Table 19 - PCM Pin Connections

Absolute Maximum Ratings

PARAMETER	RATING
Positive Supply Voltage <ul style="list-style-type: none"> • AVCC_R/AVCC_L • AVCC • AVDD • DVDD Note: AVCC, AVCC_L/R and AVDD absolute negative max voltage is -0.3V	<ul style="list-style-type: none"> • +4.75V with respect to Ground • +4.75V with respect to Ground • +3.7V with respect to Ground • +1.4V with respect to Ground
Storage temperature	-65°C to +150°C
Operating Junction Temperature	+125°C
Voltage range for digital input pins	-0.3V to AVDD (nom) + 0.3V
Maximum/Minimum Input Voltage on IN_P IN_M pins	+6V to -0.4V
ESD Protection	
Human Body Model (HBM)	2kV
Charge Device Model (CDM)	500V

Table 20 - Absolute Maximum Ratings

WARNING: Stresses beyond those listed under here may cause permanent damage to the device. These are stress ratings only and functional operation of the device at these or any other conditions beyond those indicated under Recommended Operating Conditions is not implied.

WARNING: Electrostatic Discharge (ESD) can damage this device. Proper procedures must be followed to avoid ESD when handling this device.



IO Electrical Characteristics

PARAMETER	SYMBOL	MINIMUM	MAXIMUM	UNIT	COMMENTS
High-level input voltage	V _{IH}	$(AVDD / 2) + 0.4$	-	V	
Low-level input voltage	V _{IL}	-	0.4	V	
High-level output voltage	V _{OH}	$AVDD - 0.2$	-	V	$I_{OH} = ((AVDD / 2) + 1.4) \text{ mA}$
Low-level output voltage	V _{OL}	-	0.2	V	$I_{OL} = ((AVDD / 2) + 1.7) \text{ mA}$

Table 21 - IO Electrical Characteristics

Switching Characteristics

Test Conditions (unless otherwise noted)

$T_A = 25^\circ\text{C}$, $AVCC = AVCC_L = AVCC_R = +4.5\text{V}$, $AVDD = +3.3\text{V}$, $f_s = 48\text{kHz}$, $MCLK = 49.152\text{MHz}$, I2S output

PARAMETER	SYMBOL	MINIMUM	TYPICAL	MAXIMUM	UNIT
MCLK timing					
Frequency	fMCLK	20	-	50	MHz
Analog ADC	fADC	20	-	25	MHz
Duty Cycle	-	45	50	55	%
Bit Clock Frequency					
PCM (LJ/I2S) Mode	f_{bCLK}	-	$2 \times f_s \times \text{TDM_LENGTH}$	MCLK/2	MHz
PCM (LJ/I2S) + Enable_64FS Mode	f_{bCLK}	-	-	MCLK	MHz
TDM4 (4ch data line)	f_{bCLK}	-	$4 \times f_s \times \text{TDM_LENGTH}$	MCLK	MHz
TDM8 (8ch data line)	f_{bCLK}	-	$8 \times f_s \times \text{TDM_LENGTH}$	MCLK	MHz
TDM16 (16ch data line)	f_{bCLK}	-	$16 \times f_s \times \text{TDM_LENGTH}$	MCLK	MHz
Frame Clock Normal Frequency					
PCM (LJ/I2S) Mode	WS	MCLK/4096	-	MCLK/128	kHz
PCM (LJ/I2S) + Enable_64FS Mode	WS	-	-	MCLK/64	kHz
TDM4 (4ch data line)	WS	MCLK/4096	-	MCLK/128	kHz
TDM8 (8ch data line)	WS	MCLK/4096	-	MCLK/256	kHz
TDM16 (16ch data line)	WS	MCLK/4096	-	MCLK/512	kHz

Table 22 - Switching Characteristics

Note: Analog ADC (fADC) on the clock distribution diagram must be between 20-25MHz. MCLK used must be divided by 1 or 2 to create fADC.

Audio Interface Timing Requirements

PARAMETER	SYMBOL	MINIMUM	TYPICAL	MAXIMUM	UNIT
LJ/I2S Mode or TDM modes					
Slave Mode					
BCLK period	tb	20	-	-	ns
BCLK high duration	tbH	9	-	-	ns
BCLK low duration	tbL	9	-	-	ns
BCLK fall to Frame transition	tbsr	-6	0	6	ns
BCLK fall to serial data out	tbsdo	-	13.8	-	ns
Data in setup time	tsdisu	-	-	-	ns
Data in hold time	tsdihold	-	-	-	ns
Master Mode					
BCLK period	tb	20	-	-	ns
BCLK high duration	tbH	9	-	-	ns
BCLK low duration	tbL	9	-	-	ns
BCLK fall to Frame transition	tbsr	-	0	-	ns
BCLK fall to serial data out	tbsdo	-	13.2	-	ns
Data in setup time	tsdisu	-	-	-	-
Data in hold time	tsdihold	-	-	-	-

Table 23 - Audio Interface Timing Requirements

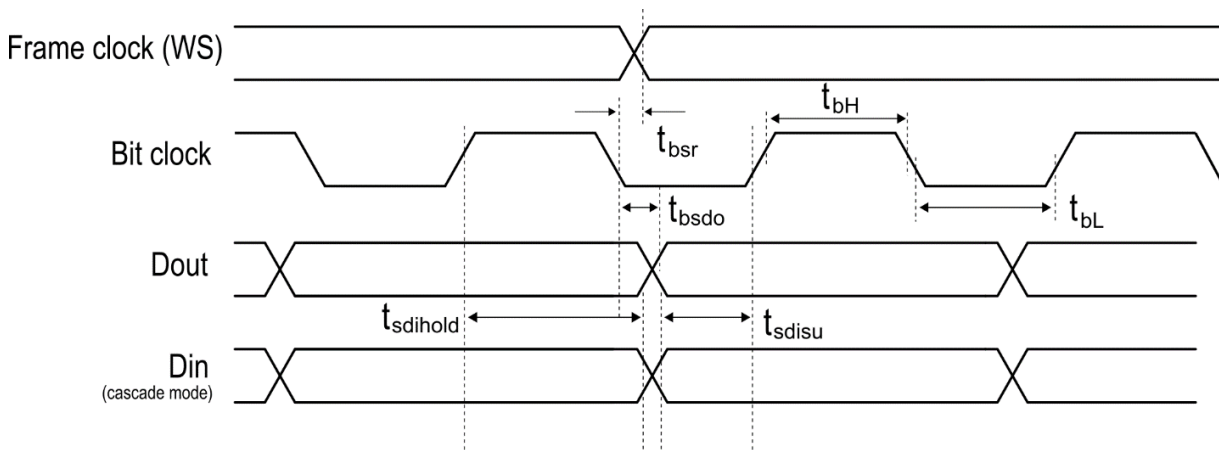


Figure 11 - Audio Interface Timing Requirements

MCLK edge to BCK edge

The ES9842PRO has a phase relationship requirement between MCLK (System Clock) and BCK (Bit Clock). The internal ADC_CLK (which must be 24.576/22.5792MHz) is derived from the provided MCLK. It is important to make sure the internal ADC_CLK does not transition during the serial data transitions. To achieve this, follow the MCLK to BCK timing outlined below.

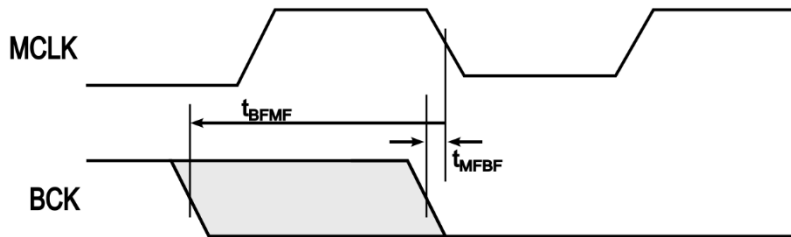


Figure 12 - 45/49MHz MCLK with BCK Phase Relationship

	Symbol	MCLK [MHz]	Minimum	Maximum	Unit
BCK “↓” to MCLK “↓”	t _{BFMF}	49.152 / 45.1584	-	10	ns
MCLK “↓” to BCK “↓”	t _{MFBF}		4	-	ns

Table 24 – Timing relationship for 45/49MHz MCLK & BCK

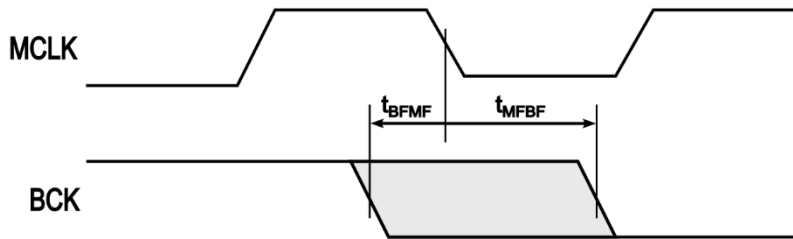


Figure 13 – 22/25MHz MCLK with BCK Phase Relationship

	Symbol	MCLK [MHz]	Minimum	Maximum	Unit
BCK “↓” to MCLK “↓”	tBFMF	24.576 / 22.5792	-	5	ns
MCLK “↓” to BCK “↓”	tMFBF	24.576 / 22.5792	-	7	ns

Table 25 – Timing relationship for 22/24MHz MCLK & BCK

Recommended Operating Conditions

These are the recommended operating conditions for the ES9842 PRO.

The minimum MCLK is 22MHz. Below this frequency, the device will not function.

PARAMETER	SYMBOL	CONDITIONS
Operating temperature	T_A	-20°C to +85°C
AVCC		4.5V
AVDD		3.3V
AVCC_L		4.5V
AVCC_R		4.5V
DVDD		Internal 1.2V

Table 26 - Recommended Operating Conditions



Recommended Power up/down Sequences

The recommended power up/down sequences are show in the following diagram. All supplies and MCLK should be stable before CHIP_EN goes high.

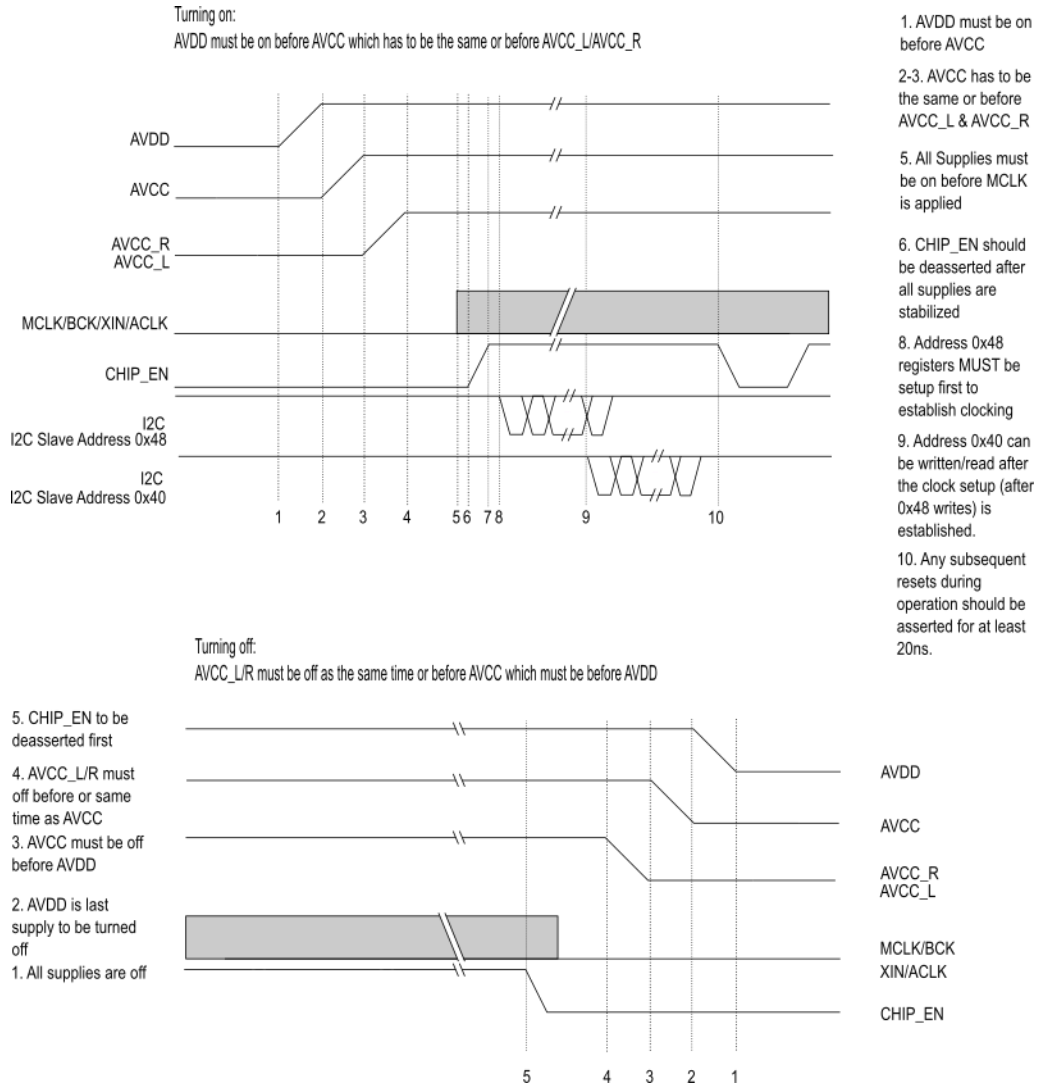


Figure 14 - Recommended Power up/down Sequences

Power Consumption

Test Conditions (unless otherwise noted)

$T_A = 25^\circ\text{C}$, AVCC = AVCC_L = AVCC_R = +4.5V, AVDD = +3.3V, fs = 48kHz, I2S output, -1dBrG signal. AVDD supply includes DVDD current.

Parameter	Min	Typ.	Max	Unit
Standby				
AVCC, AVCC_L, AVCC_R		3		μA
AVDD		0.02		μA
MCLK = 49.152MHz				
Supply Current during 48kHz 4ch mode				
AVCC		10.2		mA
AVCC_L, AVCC_R		16.2		mA
AVDD		18.2		mA
Supply Current during 192kHz 4ch mode				
AVCC		10.2		mA
AVCC_L, AVCC_R		16.2		mA
AVDD		30.6		mA
MCLK = 24.576MHz				
Supply Current during 48kHz 4ch mode				
AVCC		10.1		mA
AVCC_L, AVCC_R		16.2		mA
AVDD		16.1		mA
Supply current during 192kHz 4ch mode				
AVCC		10.1		mA
AVCC_L, AVCC_R		16.2		mA
AVDD		28.7		mA

Table 27 - Power Consumption

ES9842 PRO Product Datasheet

Performance

Test Conditions (unless otherwise noted)

$T_A = 25^\circ\text{C}$, $AVCC = AVCC_L = AVCC_R = +4.5\text{V}$, $AVDD = +3.3\text{V}$, $f_s = 48\text{kHz}$, $MCLK = 49.152\text{MHz}$, I2S output

Parameter			Min	Typ	Max	Unit
Resolution				32		Bit
0dBFS Input Voltage				3.2		V _{rms}
THD+N Ratio @ $f_s=48\text{kHz}$, $BW=20\text{Hz}-20\text{kHz}$	4 ch mode	-1dBFS		-116	-114	dB
	2 ch mode	-1dBFS		-117		dB
	1 ch mode	-1dBFS		-118		dB
THD+N Ratio @ $f_s=96\text{kHz}$, $BW=20\text{Hz}-40\text{kHz}$	4 ch mode	-1dBFS		-113		dB
	2 ch mode	-1dBFS		-115		dB
	1 ch mode	-1dBFS		-118		dB
THD+N Ratio @ $f_s=192\text{kHz}$, $BW=20\text{Hz}-80\text{kHz}$	4 ch mode	-1dBFS		-111		dB
	2 ch mode	-1dBFS		-113		dB
	1 ch mode	-1dBFS		-116		dB
DNR A-wt	4ch mode	-60dBFS	119	122		dB
	2ch mode	-60dBFS	122	125		dB
	1ch mode	-60dBFS	125	128		dB
Interchannel Gain Mismatch				± 0.05	± 0.4	dB
Input DC Common Mode				$AVCC_L/2$ $AVCC_R/2$		V
Input Impedance				$860 \pm 14\%$		Ω
Cin (Input Capacitance)				~ 10		pF

Table 28 - Performance

Register Overview

The registers for the ES9842 PRO can be accessed either using an I²C or SPI interface.

The MODE pin (pin 3) determines which interface will be used:

- MODE = 1'b0
 - I²C interface (pull ups on SCL & SDA required)
 - Pin 25 SDA
 - Pin 26 SCL
 - Pin 27 ADDR1
 - Pin 28 ADDR2
 - ADDR1 & ADDR2 determine the I²C address
 - I²C Slave Address = [5'b01000, ADDR2, ADDR1, R/W]
 - Possible addresses are 0x40, 0x42, 0x44, 0x46 for I²C Slave Address
 - I²C Synchronous Slave Address = [5'b01001, ADDR2, ADDR1, R/W]
 - Possible addresses are 0x48, 0x4A, 0x4C, 0x4E for I²C Synchronous Slave Address
- MODE = 1'b1
 - SPI interface
 - Different SPI commands allow for writing to write only registers, or write and read from other registers
 - The SPI Slave interface can be accessed using the Pins 25-28
 - Pin 25 MOSI
 - Pin 26 SCLK
 - Pin 27 SS
 - Pin 28 MISO

I ² C Slave Address	I ² C Synchronous Slave Address	ADDR2	ADDR1
0x40	0x48	L	L
0x42	0x4A	L	H
0x44	0x4C	H	L
0x46	0x4E	H	H

Table 29 - I²C addresses

ES9842 PRO Product Datasheet

I²C Slave Interface (Device Address 0x40, 0x42, 0x44, 0x46)

This interface contains Read/Write and Read-only registers. A system clock must be enabled through the write-only registers to read/write these registers.

Multi-byte registers must be written from LSB to MSB. Data is latched when MSB is written.

Multi-byte registers must be read from LSB to MSB. Data is latched when LSB is read.

MSB is always stored in the highest register address. Testing

Read/Write Register Addresses

Registers 0–179 (0x00 – 0xB3) are read/write registers.

Read-only Register Addresses

Registers 224 – 253 (0xE0 – 0xFD) are read only registers.

I²C Synchronous Slave Interface (Device Address 0x48, 0x4A, 0x4C, 0x4E)

This interface contains Write-only registers. These registers can be written even when there is no system clock present. These registers must be written to to enable read and write access to the rest of the registers.

When the device is inactive, all peripherals are automatically disabled and all clocks are stopped. An interrupt or a reset can wake the ES9842 PRO

Write-only Register Addresses

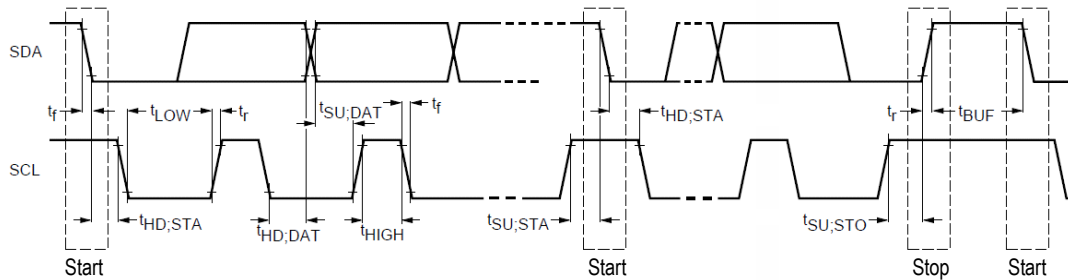
Registers 192 – 194 (0xC0 – 0xC2) are write only registers.

Multi-Byte Registers

Multi-byte registers must be written from LSB to MSB. Data is latched when MSB is written.

MSB is always stored in the highest register address.

I²C Slave/Synchronous Slave Interface Timing


 Figure 15 - I²C Slave Control Interface Timing Diagram

Parameter	Symbol	CLK Constraint	Standard-Mode		Fast-Mode		Unit
			MIN	MAX	MIN	MAX	
SCL Clock Frequency	f_{SCL}	< CLK/20	0	100	0	400	kHz
START condition hold time	$t_{HD,STA}$		4.0	-	0.6	-	μs
LOW period of SCL	t_{LOW}	>10/CLK	4.7	-	1.3	-	μs
HIGH period of SCL (>10/CLK)	t_{HIGH}	>10/CLK	4.0	-	0.6	-	μs
START condition setup time (repeat)	$t_{SU,STA}$		4.7	-	0.6	-	μs
SDA hold time from SCL falling - All except NACK read - NACK read only	$t_{HD,DAT}$		0 2/CLK	-	0 2/CLK	-	μs s
SDA setup time from SCL rising	$t_{SU,DAT}$		250	-	100	-	ns
Rise time of SDA and SCL	t_r		-	1000		300	ns
Fall time of SDA and SCL	t_f		-	300		300	ns
STOP condition setup time	$t_{SU,STO}$		4	-	0.6	-	μs
Bus free time between transmissions	t_{BUF}		4.7	-	1.3	-	μs
Capacitive load for each bus line	C_b		-	400	-	400	pF

 Table 30 - I²C Slave Control Interface Timing Definitions

ES9842 PRO Product Datasheet

SPI Slave Interface

The SPI slave interface is used when the MODE pin (pin 3) is pulled high.

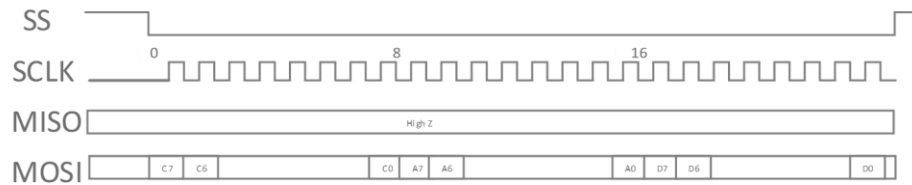
- The SPI Slave interface can be accessed using the Pins 25-28
 - Pin 25 MOSI
 - Pin 26 SCLK
 - Pin 27 SS
 - Pin 28 MISO

The 4-wire SPI data format is: Command (1 byte) + Address (1 byte) + Data

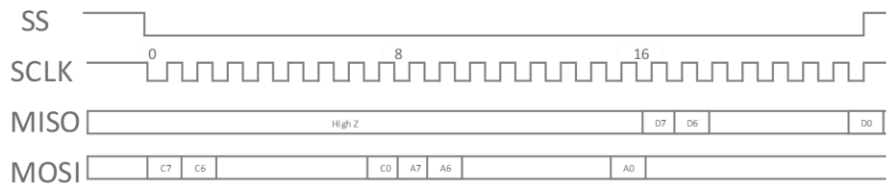
SPI commands:

- 0x01: Read
- 0x03: Write
- 0x07: Write-only Register Addresses 192-194 (0xC0 – 0xC2)

Single byte Write



Single byte Read



Multiple byte Read

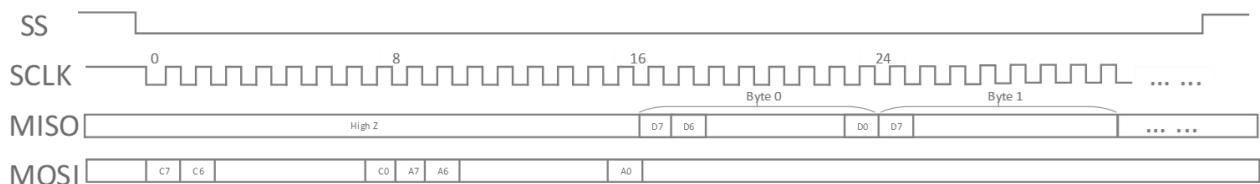


Figure 16 - SPI command timing diagrams



Register Map

Addr (Hex)	Addr (Dec)	Register	7	6	5	4	3	2	1	0	
0x00	0	SYS CONFIG	SOFT_RESET	OUTPUT_SEL		RESERVED	ENABLE_64FS_MODE	TWO_CH_MODE	MONO_MODE	RESERVED	
0x01	1	ADC CLOCK CONFIG1	ENABLE_DATA_IN_CH4	ENABLE_DATA_IN_CH3	ENABLE_DATA_IN_CH2	ENABLE_DATA_IN_CH1	ENABLE_ADC_CH4	ENABLE_ADC_CH3	ENABLE_ADC_CH2	ENABLE_ADC_CH1	
0x02	2	ADC CLOCK CONFIG2	RESERVED		SELECT_ADC_HALF	SELECT_ADC_NUM					
0x03	3	ADC CLOCK CONFIG3	OUTPUT2_SEL		FORCE_OUTPUT2	INVERT_FIRST_CLK_SAMPLE2	SELECT_IADC_HALF	SELECT_IADC_NUM			
0x04	4	ADC CLOCK CONFIG4	FORCE_PHASE_CLK_IADC	PHASE_CLK_IADC			INVERT_SAMPLE_CLOCK_CH4	INVERT_SAMPLE_CLOCK_CH3	INVERT_SAMPLE_CLOCK_CH2	INVERT_SAMPLE_CLOCK_CH1	
0x05	5	RAW DATA AND SPDIF CONFIG	SELECT_RAW_DATA_NUM		RAW_DATA_CLK_DIV2	RAW_DATA_DDR	ENABLE_RAW_DATA_CLK	ENABLE_SPDIF_CLK	RESERVED		
0x06	6	DSD CONFIG	RESERVED		DSD_DDR	DSD_MASTER_MODE	ENABLE_DSD_CLK_CH4	ENABLE_DSD_CLK_CH3	ENABLE_DSD_CLK_CH2	ENABLE_DSD_CLK_CH1	
0x07	7	DSD AND I2S/TDM MASTER CLK CONFIG	MASTER_WS_SCALE			DSD_CLK_DIV2	SELECT_DSD_NUM				
0x08	8	I2S/TDM MASTER MODE CONFIG	MASTER_BCK_DIV1	MASTER_WS_IDLE	MASTER_FRAME_LENGTH		MASTER_WS_PULSE_MODE	MASTER_BCK_INVERT	MASTER_WS_INVERT	MASTER_MODE_ENABLE	
0x09	9	I2S/TDM MASTER CLK CONFIG	SELECT_I2S_TDM_HALF	SELECT_I2S_TDM_NUM							
0x0A	10	TDM CONFIG1	TDM_BIT_DELAY					TDM_VALID_EDGE	TDM_LJ	ENABLE_TDM_CLK	
0x0B	11	TDM CONFIG2	TDM_GPIO456	TDM_CASCADE	TDM_LENGTH	TDM_CH_NUM					
0x0C	12	TDM SLOT CONFIG CH1	RESERVED	TDM_LINE_SEL_CH1			TDM_SLOT_SEL_CH1				
0x0D	13	TDM SLOT CONFIG CH2	RESERVED	TDM_LINE_SEL_CH2			TDM_SLOT_SEL_CH2				
0x0E	14	TDM SLOT CONFIG CH3	RESERVED	TDM_LINE_SEL_CH3			TDM_SLOT_SEL_CH3				
0x0F	15	TDM SLOT CONFIG CH4	RESERVED	TDM_LINE_SEL_CH4			TDM_SLOT_SEL_CH4				
0x10	16	RAW DATA OUTPUT CONFIG	RESERVED		RAW_DATA_MIX_DIV2_CH2_4	RAW_DATA_MIX_DIV2_CH1_3	ENABLE_RAW_DATA_MIX_CH2_4	ENABLE_RAW_DATA_MIX_CH1_3	NEG_RAW_DATA_SUB_CH2	NEG_RAW_DATA_SUB_CH1	
0x11	17	RAW DATA MAPPING	RAW_DATA_MAPPING_CH4		RAW_DATA_MAPPING_CH3		RAW_DATA_MAPPING_CH2		RAW_DATA_MAPPING_CH1		
0x12	18	PCM DATA OUTPUT MAPPING	OUTPUT_MAPPING_CH4		OUTPUT_MAPPING_CH3		OUTPUT_MAPPING_CH2		OUTPUT_MAPPING_CH1		
0x13	19	DSD DATA OUTPUT MAPPING	DSD_MAPPING_CH4		DSD_MAPPING_CH3		DSD_MAPPING_CH2		DSD_MAPPING_CH1		
0x14	20	TPDF DITHER LEVEL	RESERVED					DITHER_SCALE			
0x15	21	DITHER MASK	DITHER_MASK								
0x16	22		DITHER_MASK								
0x17	23	FS GEN PHASE CONTROL	DSD_SYNC_TO_1FS	FS_PHASE							
0x18 - 0x1A	24 - 26	RESERVED	RESERVED								
0x1B	27	INTERRUPT	INTERRUPT_CLEAR_CH4_PEAK_DETECT	INTERRUPT_CLEAR_CH3_PEAK_DETECT	INTERRUPT_CLEAR_CH2_PEAK_DETECT	INTERRUPT_CLEAR_CH1_PEAK_DETECT	INTERRUPT_MASK_CH4_PEAK_DETECT	INTERRUPT_MASK_CH3_PEAK_DETECT	INTERRUPT_MASK_CH2_PEAK_DETECT	INTERRUPT_MASK_CH1_PEAK_DETECT	
0x1C	28	SPDIF CONFIG	SPDIF_CS								
0x1D	29		SPDIF_CS								
0x1E	30		SPDIF_CS								
0x1F	31		SPDIF_CS								
0x20	32		SPDIF_CS								
0x21	33	DSD DITHER SCALE & SYNC CONTROL	SYNC_POSEDGE_FRAME	DISABLE_SYNC_REF	FORCE_FIR_SYNC	DSD_DITHER_SCALE					
0x22	34	SYNC CONTROL	AUTO_ADC_CLKDIV_SYNC	AUTO_CLK_IADC_PHASE_SYNC	AUTO_DSD_PHASE_SYNC	AUTO_WS_PHASE_SYNC	AUTO_ICG_EN_SYNC	AUTO_ICG_SYNC	AUTO_FIR_SYNC	AUTO_FS_SYNC	
0x23	35	ASP1 CONFIG	RESERVED		SELECT_ASP1_NUM					ENABLE_ASP1_CLK	
0x24	36	ASP2 CONFIG	RESERVED		SELECT_ASP2_NUM					ENABLE_ASP2_CLK	
0x25	37	ASP ENABLE & PROGRAM CONTROL	ASP2_COEFF_WE	ASP1_COEFF_WE	ASP2_PROGRAM_WE	ASP1_PROGRAM_WE	ASP2_PROGRAM_EN	ASP1_PROGRAM_EN	ENABLE_ASP2	ENABLE_ASP1	
0x26	38	ASP PROGRAM ADDR	ASP_PROGRAM_ADDR								
0x27	39		RESERVED								ASP_PROGRAM_ADDR
0x28	40	ASP PROGRAM	ASP_PROGRAM_IN								
0x29	41		RESERVED	ASP_PROGRAM_IN							
0x2A	42	ASP COEFF ADDR	ASP_COEFF_ADDR								
0x2B	43	ASP COEFF	ASP_COEFF_LSB								
0x2C	44		ASP_COEFF_LSB								
0x2D	45		ASP_COEFF_LSB								
0x2E	46		ASP_COEFF_LSB								
0x2F	47		ASP_COEFF_MSB								
0x30	48		ASP_COEFF_MSB								
0x31	49		ASP_COEFF_MSB								
0x32	50		ASP_COEFF_MSB								
0x33	51		ASP1 CH1 STEP SIZE	ASP1_CH1_STEP_SIZE							
0x34	52		ASP1 CH2 STEP SIZE	ASP1_CH2_STEP_SIZE							
0x35	53	ASP2 CH1 STEP SIZE	ASP2_CH1_STEP_SIZE								
0x36	54	ASP2 CH2 STEP SIZE	ASP2_CH2_STEP_SIZE								
0x37	55	ASP1 CUSTOM ADDR	RESERVED				ASP1_CUSTOM_ADDR				
0x38	56	ASP1 CUSTOM ADDR2	RESERVED				ASP1_CUSTOM_ADDR2				

ES9842 PRO Product Datasheet



0x39	57	ASP2 CUSTOM ADDR	RESERVED				ASP2_CUSTOM_ADDR				
0x3A	58	ASP2 CUSTOM ADDR2	RESERVED				ASP2_CUSTOM_ADDR2				
0x3B	59	I2S DECODER CONFIG	I2S_DECODER_BIT_START								
0x3C	60	I2S DECODER CONFIG	I2S_DECODER_WORD_WIDTH	I2S_DECODER_BIT_DEPTH	I2S_DECODER_POSEDGE_FRAME	ENABLE_I2S_DECODER	I2S_DECODER_BIT_START				
0x3D	61	DELAY LINE CONFIG	PROG_DELAY_LINE						ENABLE_CLK_DL	PROG_DELAY_LINE	
0x3E	62		RESERVED						ADC_EN_INT_CH1	ADC_EN_CH1	
0x3F	63	ADC CH1 CONFIG 1	ADC_INT23_SEL_CH1	ADC_INT1_SEL_CH1	ADC_EN_FB_CH1	RESERVED	ADC_USE_DITHER_EXT_CH1	ADC_USE_DITHER_CH1	ADC_USE_STATE_CH1		
0x40	64	ADC CH1 CONFIG 2	ADC_COMP_SEL_CH1		ADC_SUM_SEL_CH1		ADC_USE_DITHER_EXT_CH1	ADC_USE_DITHER_CH1	ADC_USE_STATE_CH1		
0x41	65	ADC CH2 CONFIG 1	ADC_INT23_SEL_CH2	ADC_INT1_SEL_CH2	ADC_EN_FB_CH2	RESERVED	ADC_EN_INT_CH2	ADC_EN_CH2			
0x42	66	ADC CH2 CONFIG 2	ADC_COMP_SEL_CH2		ADC_SUM_SEL_CH2		ADC_USE_DITHER_EXT_CH2	ADC_USE_DITHER_CH2	ADC_USE_STATE_CH2		
0x43	67	ADC CH3 CONFIG 1	ADC_INT23_SEL_CH3	ADC_INT1_SEL_CH3	ADC_EN_FB_CH3	RESERVED	ADC_EN_INT_CH3	ADC_EN_CH3			
0x44	68	ADC CH3 CONFIG 2	ADC_COMP_SEL_CH3		ADC_SUM_SEL_CH3		ADC_USE_DITHER_EXT_CH3	ADC_USE_DITHER_CH3	ADC_USE_STATE_CH3		
0x45	69	ADC CH4 CONFIG 1	ADC_INT23_SEL_CH4	ADC_INT1_SEL_CH4	ADC_EN_FB_CH4	RESERVED	ADC_EN_INT_CH4	ADC_EN_CH4			
0x46	70	ADC CH4 CONFIG 2	ADC_COMP_SEL_CH4		ADC_SUM_SEL_CH4		ADC_USE_DITHER_EXT_CH4	ADC_USE_DITHER_CH4	ADC_USE_STATE_CH4		
0x47	71	ADC COMMON MODE CONFIG	ADC_CM_AMP_SEL_CH4	ADC_CM_INT_SEL_CH4	ADC_CM_AMP_SEL_CH3	ADC_CM_INT_SEL_CH3	ADC_CM_AMP_SEL_CH2	ADC_CM_INT_SEL_CH2	ADC_CM_AMP_SEL_CH1	ADC_CM_INT_SEL_CH1	
0x48 - 0x49	72 - 73	RESERVED	RESERVED								
0x4A	74	GPIO1/2 CONFIG	GPIO2_CFG				GPIO1_CFG				
0x4B	75	GPIO3/4 CONFIG	GPIO4_CFG				GPIO3_CFG				
0x4C	76	GPIO5/6 CONFIG	GPIO6_CFG				GPIO5_CFG				
0x4D	77	GPIO7/8 CONFIG	GPIO8_CFG				GPIO7_CFG				
0x4E	78	GPIO9/10 CONFIG	GPIO10_CFG				GPIO9_CFG				
0x4F	79	GPIO11 CONFIG	RESERVED				GPIO11_CFG				
0x50 - 0x51	80 - 81	RESERVED	RESERVED								
0x52	82	INVERT GPIO	INVERT_GPIO8	INVERT_GPIO7	INVERT_GPIO6	INVERT_GPIO5	INVERT_GPIO4	INVERT_GPIO3	INVERT_GPIO2	INVERT_GPIO1	
0x53	83		RESERVED						INVERT_GPIO1_1	INVERT_GPIO1_0	INVERT_GPIO9
0x54	84	GPIO WEAK ENABLE	GPIO8_WK_EN	GPIO7_WK_EN	GPIO6_WK_EN	GPIO5_WK_EN	GPIO4_WK_EN	GPIO3_WK_EN	GPIO2_WK_EN	GPIO1_WK_EN	
0x55	85		RESERVED						GPIO11_WK_EN	GPIO10_WK_EN	GPIO9_WK_EN
0x56	86	GPIO IE	GPIO8_IE	GPIO7_IE	GPIO6_IE	GPIO5_IE	GPIO4_IE	GPIO3_IE	GPIO2_IE	GPIO1_IE	
0x57	87		RESERVED						GPIO11_IE	GPIO10_IE	GPIO9_IE
0x58	88	GPIO OE	GPIO8_OE	GPIO7_OE	GPIO6_OE	GPIO5_OE	GPIO4_OE	GPIO3_OE	GPIO2_OE	GPIO1_OE	
0x59	89		RESERVED						GPIO11_OE	GPIO10_OE	GPIO9_OE
0x5A	90	GPIO READ	GPIO8_READ	GPIO7_READ	GPIO6_READ	GPIO5_READ	GPIO4_READ	GPIO3_READ	GPIO2_READ	GPIO1_READ	
0x5B	91		RESERVED						GPIO11_READ	GPIO10_READ	GPIO9_READ
0x5C	92	PWM1 COUNT	PWM1_COUNT								
0x5D	93	PWM1 FREQUENCY	PWM1_FREQ								
0x5E	94		PWM1_FREQ								
0x5F	95	PWM2 COUNT	PWM2_COUNT								
0x60	96	PWM2 FREQUENCY	PWM2_FREQ								
0x61	97		PWM2_FREQ								
0x62	98	PWM3 COUNT	PWM3_COUNT								
0x63	99	PWM3 FREQUENCY	PWM3_FREQ								
0x64	100		PWM3_FREQ								
0x65	101	ADC CH1 DATAPATH CONTROL	ADC1_BYPASS_FIR2X	ADC1_BYPASS_FIR4X	RESERVED			ADC1_ENABLE_DC_BLOCKING	RESERVED	ADC1_NEG_SEL	
0x66	102	ADC CH1 THD COMP CONFIG	ADC1_CORRECTION_ADDR						ADC1_CORRECTION_WE	ADC1_ENABLE_THD_COMP	
0x67	103	ADC CH1 THD COMP DATA	ADC1_CORRECTION_DATA								
0x68	104		ADC1_CORRECTION_DATA								
0x69	105	ADC CH1 PEAK DETECTOR CONFIG	ADC1_LOCK_PEAK	ADC1_DECAY_RATE					RESERVED	ADC1_ENABLE_PEAK_DETECT	
0x6A	106	ADC CH1 PEAK DETECTOR LEVEL	ADC1_PEAK_THRESH								
0x6B	107	ADC CH1 DC OFFSET	ADC1_DC_OFFSET								
0x6C	108		ADC1_DC_OFFSET								
0x6D	109	ADC CH1 VOLUME	ADC1_VOLUME								
0x6E	110		ADC1_VOLUME								
0x6F	111	ADC CH1 VOLUME RATE	ADC1_VOLUME_RATE								
0x70	112	ADC CH1 SCALE	RESERVED						ADC1_DATA_SCALE		
0x71	113	ADC CH1 PROG FILTER	RESERVED			ADC1_FILTER_SHAPE			ADC1_PROG_COEFF_WRITE_EN	ADC1_PROG_COEFF_EN	
0x72	114	ADC CH1 PROG FILTER COEFF ADDR	ADC1_PROG_COEFF_STAGE	ADC1_PROG_COEFF_ADDR							
0x73	115	ADC CH1 PROG FILTER COEFF	ADC1_PROG_COEFF_IN								
0x74	116		ADC1_PROG_COEFF_IN								
0x75	117		ADC1_PROG_COEFF_IN								
0x76	118	ADC CH2 DATAPATH CONTROL	ADC2_BYPASS_FIR2X	ADC2_BYPASS_FIR4X	RESERVED			ADC2_ENABLE_DC_BLOCKING	RESERVED	ADC2_NEG_SEL	



ES9842 PRO Product Datasheet

0x77	119	ADC CH2 THD COMP CONFIG	ADC2_CORRECTION_ADDR				ADC2_CORRECTION_WE	ADC2_ENABLE_THD_COMP	
0x78	120	ADC CH2 THD COMP DATA	ADC2_CORRECTION_DATA						
0x79	121		ADC2_CORRECTION_DATA						
0x7A	122	ADC CH2 PEAK DETECTOR CONFIG	ADC2_LOCK_PEAK	ADC2_DECAY_RATE			RESERVED	ADC2_ENABLE_PEAK_DETECT	
0x7B	123	ADC CH2 PEAK DETECTOR THRESHOLD	ADC2_PEAK_THRESH						
0x7C	124	ADC CH2 DC OFFSET	ADC2_DC_OFFSET						
0x7D	125		ADC2_DC_OFFSET						
0x7E	126	ADC CH2 VOLUME	ADC2_VOLUME						
0x7F	127		ADC2_VOLUME						
0x80	128	ADC CH2 VOLUME RATE	ADC2_VOLUME_RATE						
0x81	129	ADC CH2 SCALE	RESERVED				ADC2_DATA_SCALE		
0x82	130	ADC CH2 PROG FILTER	RESERVED		ADC2_FILTER_SHAPE		ADC2_PROG_COEFF_WRITE_EN	ADC2_PROG_COEFF_EN	
0x83	131	ADC CH2 PROG FILTER COEFF ADDR	ADC2_PROG_COEFF_STAGE	ADC2_PROG_COEFF_ADDR					
0x84	132	ADC CH2 PROG FILTER COEFF	ADC2_PROG_COEFF_IN						
0x85	133		ADC2_PROG_COEFF_IN						
0x86	134		ADC2_PROG_COEFF_IN						
0x87	135	ADC CH3 DATAPATH CONTROL	ADC3_BYPASS_FIR2X	ADC3_BYPASS_FIR4X	RESERVED		ADC3_ENABLE_DC_BLOCKING	RESERVED	ADC3_NEG_SEL
0x88	136	ADC CH3 THD COMP CONFIG	ADC3_CORRECTION_ADDR				ADC3_CORRECTION_WE	ADC3_ENABLE_THD_COMP	
0x89	137	ADC CH3 THD COMP DATA	ADC3_CORRECTION_DATA						
0x8A	138		ADC3_CORRECTION_DATA						
0x8B	139	ADC CH3 PEAK DETECTOR CONFIG	ADC3_LOCK_PEAK	ADC3_DECAY_RATE			RESERVED	ADC3_ENABLE_PEAK_DETECT	
0x8C	140	ADC CH3 PEAK DETECTOR THRESHOLD	ADC3_PEAK_THRESH						
0x8D	141	ADC CH3 DC OFFSET	ADC3_DC_OFFSET						
0x8E	142		ADC3_DC_OFFSET						
0x8F	143	ADC CH3 VOLUME	ADC3_VOLUME						
0x90	144		ADC3_VOLUME						
0x91	145	ADC CH3 VOLUME RATE	ADC3_VOLUME_RATE						
0x92	146	ADC CH3 SCALE	RESERVED				ADC3_DATA_SCALE		
0x93	147	ADC CH3 PROG FILTER	RESERVED		ADC3_FILTER_SHAPE		ADC3_PROG_COEFF_WRITE_EN	ADC3_PROG_COEFF_EN	
0x94	148	ADC CH3 PROG FILTER COEFF ADDR	ADC3_PROG_COEFF_STAGE	ADC3_PROG_COEFF_ADDR					
0x95	149	ADC CH3 PROG FILTER COEFF	ADC3_PROG_COEFF_IN						
0x96	150		ADC3_PROG_COEFF_IN						
0x97	151		ADC3_PROG_COEFF_IN						
0x98	152	ADC CH4 DATAPATH CONTROL	ADC4_BYPASS_FIR2X	ADC4_BYPASS_FIR4X	RESERVED		ADC4_ENABLE_DC_BLOCKING	RESERVED	ADC4_NEG_SEL
0x99	153	ADC CH4 THD COMP CONFIG	ADC4_CORRECTION_ADDR				ADC4_CORRECTION_WE	ADC4_ENABLE_THD_COMP	
0x9A	154	ADC CH4 THD COMP DATA	ADC4_CORRECTION_DATA						
0x9B	155		ADC4_CORRECTION_DATA						
0x9C	156	ADC CH4 PEAK DETECTOR CONFIG	ADC4_LOCK_PEAK	ADC4_DECAY_RATE			RESERVED	ADC4_ENABLE_PEAK_DETECT	
0x9D	157	ADC CH4 PEAK DETECTOR THRESHOLD	ADC4_PEAK_THRESH						
0x9E	158	ADC CH4 DC OFFSET	ADC4_DC_OFFSET						
0x9F	159		ADC4_DC_OFFSET						
0xA0	160	ADC CH4 VOLUME	ADC4_VOLUME						
0xA1	161		ADC4_VOLUME						
0xA2	162	ADC CH4 VOLUME RATE	ADC4_VOLUME_RATE						
0xA3	163	ADC CH4 SCALE	RESERVED				ADC4_DATA_SCALE		
0xA4	164	ADC CH4 PROG FILTER	RESERVED		ADC4_FILTER_SHAPE		ADC4_PROG_COEFF_WRITE_EN	ADC4_PROG_COEFF_EN	
0xA5	165	ADC CH4 PROG FILTER COEFF ADDR	ADC4_PROG_COEFF_STAGE	ADC4_PROG_COEFF_ADDR					
0xA6	166	ADC CH4 PROG FILTER COEFF	ADC4_PROG_COEFF_IN						
0xA7	167		ADC4_PROG_COEFF_IN						
0xA8	168		ADC4_PROG_COEFF_IN						
0xC0	192	SOFT RESET	AO_SOFT_RESET	RESERVED					
0xC1	193	CLK SELECT	RESERVED			SEL_SYSCLK_IN		EN_ANA_CLKIN	
0xC2	194	ADC CLOCK DIVIDE	RESERVED			SEL_CLK_DIV			
0xC3 - 0xCB	195 - 203	RESERVED	RESERVED						
0xE0	224	READ SYSTEM REGISTER 0	RESERVED		MODE	ADDR2	ADDR1	RESERVED	
0xE1	225	CHIP ID	CHIP_ID						
0xE2 - 0xE4	226 - 228	RESERVED	RESERVED						
0xE5	229	PEAK FLAG	RESERVED		PEAK_FLAG_CH4	PEAK_FLAG_CH3	PEAK_FLAG_CH2	PEAK_FLAG_CH1	
0xE6	230	RESERVED	RESERVED						



ES9842 PRO Product Datasheet

0xE7	231	READ SYSTEM REGISTER 5	ASP2_INIT_DONE	ASP1_INIT_DONE	RESERVED	TDM_VALID	RESERVED			
0xE8	232	GPIO READBACK REGISTERS	GPIO8_READBACK	GPIO7_READBACK	GPIO6_READBACK	GPIO5_READBACK	GPIO4_READBACK	GPIO3_READBACK	GPIO2_READBACK	GPIO1_READBACK
0xE9	233		RESERVED				GPIO11_READBACK	GPIO10_READBACK	GPIO9_READBACK	
0xEA	234	ADC CH1 PROG COEFF OUT	ADC1_PROG_COEFF_OUT							
0xEB	235		ADC1_PROG_COEFF_OUT							
0xEC	236		ADC1_PROG_COEFF_OUT							
0xED	237	ADC CH1 PEAK	ADC1_PEAK							
0xEE	238		ADC1_PEAK							
0xEF	239	ADC CH2 PROG COEFF OUT	ADC2_PROG_COEFF_OUT							
0xF0	240		ADC2_PROG_COEFF_OUT							
0xF1	241		ADC2_PROG_COEFF_OUT							
0xF2	242	ADC CH2 PEAK	ADC2_PEAK							
0xF3	243		ADC2_PEAK							
0xF4	244	ADC CH3 PROG COEFF OUT	ADC3_PROG_COEFF_OUT							
0xF5	245		ADC3_PROG_COEFF_OUT							
0xF6	246		ADC3_PROG_COEFF_OUT							
0xF7	247	ADC CH3 PEAK	ADC3_PEAK							
0xF8	248		ADC3_PEAK							
0xF9	249	ADC CH4 PROG COEFF OUT	ADC4_PROG_COEFF_OUT							
0xFA	250		ADC4_PROG_COEFF_OUT							
0xFB	251		ADC4_PROG_COEFF_OUT							
0xFC	252	ADC CH4 PEAK	ADC4_PEAK							
0xFD	253		ADC4_PEAK							

Table 31 - Register Map

Register Listing

Some RESERVED registers do not default to 0x00 and should not be modified for normal operation. If the value of the reserved registers is changed from the default state, it will be noted.

System Registers

Register 0: SYS CONFIG

Bits	[7]	[6:5]	[4]	[3]	[2]	[1]	[0]
Default	1'b0	2'b00	1'b0	1'b0	1'b0	1'b0	1'b0

Bits	Mnemonic	Description
[7]	SOFT_RESET	Performs soft reset to the digital core <ul style="list-style-type: none"> 1'b0: Normal operation 1'b1: Reset digital core
[6:5]	OUTPUT_SEL	Selects output data format. <ul style="list-style-type: none"> 2'd0: I2S output (default) 2'd1: SPDIF output 2'd2: TDM output 2'd3: DSD output
[4]	RESERVED	NA
[3]	ENABLE_64FS_MODE	Enables 64FS mode for 768k sample rate. <ul style="list-style-type: none"> 1'b0: 64FS mode disabled (default) 1'b1: 64FS mode enabled
[2]	TWO_CH_MODE	Enables ADC two channel mode. ADC Channel 3 is mixed into ADC Channel 1. ADC Channel 4 is mixed into Channel 2. <ul style="list-style-type: none"> 1'b0: Two channel mode disabled (default) 1'b1: Two channel mode enabled
[1]	MONO_MODE	Enables mono mode. All 4-channel data is mixed into Ch1. For Ch1, mono mode has higher priority than two channel mode. <ul style="list-style-type: none"> 1'b0: Mono mode disabled (default) 1'b1: Mono mode enabled
[0]	RESERVED	NA

ES9842 PRO Product Datasheet

Register 1: ADC CLOCK CONFIG1

Bits	[7]	[6]	[5]	[4]	[3]	[2]	[1]	[0]
Default	1'b0	1'b0	1'b0	1'b0	1'b0	1'b0	1'b0	1'b0

Bits	Mnemonic	Description
[7]	ENABLE_DATA_IN_CH4	Enables Ch4 data input clock (before decimation path) for data mixing. <ul style="list-style-type: none"> 1'b0: Clock disabled (default) 1'b1: Clock enabled
[6]	ENABLE_DATA_IN_CH3	Enables Ch3 data input clock (before decimation path) for data mixing. <ul style="list-style-type: none"> 1'b0: Clock disabled (default) 1'b1: Clock enabled
[5]	ENABLE_DATA_IN_CH2	Enables Ch2 data input clock (before decimation path) for data mixing. <ul style="list-style-type: none"> 1'b0: Clock disabled (default) 1'b1: Clock enabled
[4]	ENABLE_DATA_IN_CH1	Enables Ch1 data input clock (before decimation path) for data mixing. <ul style="list-style-type: none"> 1'b0: Clock disabled (default) 1'b1: Clock enabled
[3]	ENABLE_ADC_CH4	Enables ADC Ch4 decimation path clock. <ul style="list-style-type: none"> 1'b0: Clock disabled (default) 1'b1: Clock enabled
[2]	ENABLE_ADC_CH3	Enables ADC Ch3 decimation path clock. <ul style="list-style-type: none"> 1'b0: Clock disabled (default) 1'b1: Clock enabled
[1]	ENABLE_ADC_CH2	Enables ADC Ch2 decimation path clock. <ul style="list-style-type: none"> 1'b0: Clock disabled (default) 1'b1: Clock enabled
[0]	ENABLE_ADC_CH1	Enables ADC Ch1 decimation path clock. <ul style="list-style-type: none"> 1'b0: Clock disabled (default) 1'b1: Clock enabled

Register 2: ADC CLOCK CONFIG2

Bits	[7:6]	[5]	[4:0]
Default	2'b00	1'b0	5'd3

Bits	Mnemonic	Description
[7:6]	RESERVED	NA
[5]	SELECT_ADC_HALF	<ul style="list-style-type: none"> 1'b0: Divide by SELECT_ADC_NUM + 1 (default) 1'b1: Divide by half of SELECT_ADC_NUM + 1 Note: Can only produce half of an odd number divide
[4:0]	SELECT_ADC_NUM	Whole number divide value + 1 for CLK_ADC (SYS_CLK/divide_value). <ul style="list-style-type: none"> 5'd0: Whole number divide value + 1 = 1 5'd1: Whole number divide value + 1 = 2 5'd31: Whole number divide value + 1 = 32

ES9842 PRO Product Datasheet

Register 3: ADC CLOCK CONFIG3

Bits	[7:6]	[5]	[4]	[3]	[2:0]
Default	2'd0	1'b0	1'b0	1'b0	3'd0

Bits	Mnemonic	Description
[7:6]	OUTPUT2_SEL	<p>Selects DATA2 output (GPIO4) when FORCE_OUTPUT2 is set.</p> <ul style="list-style-type: none"> 2'd0: I2S output (default) 2'd1: SPDIF output 2'd2: TDM output 2'd3: DSD output
[5]	FORCE_OUTPUT2	<p>Forces DATA2 output (GPIO4) to output from a different source, controlled by OUTPUT2_SEL.</p> <ul style="list-style-type: none"> 1'b0: Use OUTPUT_SEL (default) 1'b1: Use OUTPUT2_SEL
[4]	INVERT_FIRST_CLK_SAMPLE2	<p>Firstly, use neg edge of CLK_SAMPLE2 to sample adc_data_r1. Only used when different CLK_SAMPLE1 edges are used for the 4ch to ensure phase alignment.</p> <ul style="list-style-type: none"> 1'b0: Use pos edge of CLK_SAMPLE2 to sample adc_data_r1 (default) 1'b1: Use neg edge of CLK_SAMPLE2 to sample adc_data_r1
[3]	SELECT_IADC_HALF	<ul style="list-style-type: none"> 1'b0: Divide by SELECT_IADC_NUM + 1 (default) 1'b1: Divide by half of SELECT_IADC_NUM + 1 <p>Note: Can only produce half of an odd number divide</p>
[2:0]	SELECT_IADC_NUM	<p>Whole number divide value + 1 for CLK_IADC (SYS_CLK/divide_value).</p> <ul style="list-style-type: none"> 3'd0: Whole number divide value + 1 = 1 (default) 3'd1: Whole number divide value + 1 = 2 3'd7: Whole number divide value + 1 = 8

Register 4: ADC CLOCK CONFIG4

Bits	[7]	[6:4]	[3]	[2]	[1]	[0]
Default	1'b0	3'd0	1'b0	1'b0	1'b0	1'b0

Bits	Mnemonic	Description
[7]	FORCE_PHASE_CLK_IADC	Sets phase of CLK_IADC by PHASE_CLK_IADC. <ul style="list-style-type: none"> 1'b0: Auto phase tuning if AUTO_CLK_IADC_PHASE_SYNC is set (default) 1'b1: Sets phase by PHASE_CLK_IADC
[6:4]	PHASE_CLK_IADC	Sets phase of CLK_IADC relative to SYS_CLK when FORCE_PHASE_CLK_IADC is set. For 48M SYS_CLK and 24M CLK_IADC only. <ul style="list-style-type: none"> 3'd0: Phase 0 (default) 3'd1: Phase 1 others: Reserved
[3]	INVERT_SAMPLE_CLOCK_CH4	Inverts ADC Ch4 data sampling clock. <ul style="list-style-type: none"> 1'b0: Not inverted (default) 1'b1: Inverted
[2]	INVERT_SAMPLE_CLOCK_CH3	Inverts ADC Ch3 data sampling clock. <ul style="list-style-type: none"> 1'b0: Not inverted (default) 1'b1: Inverted
[1]	INVERT_SAMPLE_CLOCK_CH2	Inverts ADC Ch2 data sampling clock. <ul style="list-style-type: none"> 1'b0: Not inverted (default) 1'b1: Inverted
[0]	INVERT_SAMPLE_CLOCK_CH1	Inverts ADC Ch1 data sampling clock. <ul style="list-style-type: none"> 1'b0: Not inverted (default) 1'b1: Inverted

ES9842 PRO Product Datasheet

Register 5: RAW DATA AND SPDIF CONFIG

Bits	[7:6]	[5]	[4]	[3]	[2]	[1:0]
Default	2'd0	1'b0	1'b0	1'b0	1'b0	2'd0

Bits	Mnemonic	Description
[7:6]	SELECT_RAW_DATA_NUM	<p>Whole number divide value + 1 for raw data clock (SYS_CLK/divide_value). When SELECT_RAW_DATA_NUM is larger than 0, the divided clock is not a 50% duty cycle clock.</p> <ul style="list-style-type: none"> • 2'd0: Whole number divide value + 1 = 1 (default) • 2'd1: Whole number divide value + 1 = 2 • 2'd2: Whole number divide value + 1 = 3 • 2'd3: Whole number divide value + 1 = 4
[5]	RAW_DATA_CLK_DIV2	<p>Further divides the raw data clock by 2 (after divided by SELECT_RAW_DATA_NUM+1) to create a 50% duty cycle raw data clock.</p> <ul style="list-style-type: none"> • 1'b0: No divide (default) • 1'b1: Further divides the raw data clock by 2
[4]	RAW_DATA_DDR	<p>Enables raw data double-data-rate (DDR) output.</p> <p>In the DDR mode, raw data is valid on both pos/neg edges of raw data clock.</p> <p>Otherwise, raw data is valid only on positive edge of raw data clock.</p> <ul style="list-style-type: none"> • 1'b0: Double-data-rate disabled (default) • 1'b1: Double-data-rate enabled
[3]	ENABLE_RAW_DATA_CLK	<p>Enables raw data clock.</p> <ul style="list-style-type: none"> • 1'b0: Raw data clock disabled (default) • 1'b1: Raw data clock enabled
[2]	ENABLE_SPDIF_CLK	<p>Enables SPDIF encoding clock.</p> <ul style="list-style-type: none"> • 1'b0: SPDIF clock disabled (default) • 1'b1: SPDIF clock enabled
[1:0]	RESERVED	NA

Register 6: DSD CONFIG

Bits	[7:6]	[5]	[4]	[3]	[2]	[1]	[0]
Default	2'b00	1'b0	1'b0	1'b0	1'b0	1'b0	1'b0

Bits	Mnemonic	Description
[7:6]	RESERVED	NA
[5]	DSD_DDR	Enables DSD double-data-rate (DDR) output. In the DDR mode, DSD data is valid on both pos/neg edges of DSD clock. Otherwise, DSD data is valid only on positive edge of DSD clock.
[4]	DSD_MASTER_MODE	Enables DSD master mode and generates DSD clock. <ul style="list-style-type: none"> 1'b0: Disabled (default) 1'b1: Enabled
[3]	ENABLE_DSD_CLK_CH4	Enables Ch4 DSD encoding clock. <ul style="list-style-type: none"> 1'b0: DSD clock disabled (default) 1'b1: DSD clock enabled
[2]	ENABLE_DSD_CLK_CH3	Enables Ch3 DSD encoding clock. <ul style="list-style-type: none"> 1'b0: DSD clock disabled (default) 1'b1: DSD clock enabled
[1]	ENABLE_DSD_CLK_CH2	Enables Ch2 DSD encoding clock. <ul style="list-style-type: none"> 1'b0: DSD clock disabled (default) 1'b1: DSD clock enabled
[0]	ENABLE_DSD_CLK_CH1	Enables Ch1 DSD encoding clock. <ul style="list-style-type: none"> 1'b0: DSD clock disabled (default) 1'b1: DSD clock enabled

ES9842 PRO Product Datasheet

Register 7: DSD AND I2S/TDM MASTER CLK CONFIG

Bits	[7:5]	[4]	[3:0]
Default	3'd0	1'b0	4'd0

Bits	Mnemonic	Description
[7:5]	MASTER_WS_SCALE	<p>In I2S/TDM master mode, tunes master BCK/WS ratio by scaling master WS. It allows more TDM slots in a fixed frame.</p> <ul style="list-style-type: none"> 3'd0: No scale (default) 3'd1: Scale down WS by 2 3'd2: Scale down WS by 4 3'd3: Scale down WS by 8 3'd4: Scale down WS by 16 others: Reserved
[4]	DSD_CLK_DIV2	<p>Further divides the DSD clock by 2 (after divided by SELECT_DSD_NUM+1) to create a 50% duty cycle DSD clock.</p> <ul style="list-style-type: none"> 1'b0: No divide (default) 1'b1: Further divides the DSD clock by 2
[3:0]	SELECT_DSD_NUM	<p>Whole number divide value + 1 for DSD clock (SYS_CLK/divide_value). When SELECT_DSD_NUM is larger than 0, the divided clock is not a 50% duty cycle clock.</p> <ul style="list-style-type: none"> 4'd0: Whole number divide value + 1 = 1 (default) 4'd1: Whole number divide value + 1 = 2 4'd15: Whole number divide value + 1 = 16

Register 8: I2S/TDM MASTER MODE CONFIG

Bits	[7]	[6]	[5:4]	[3]	[2]	[1]	[0]
Default	1'b0	1'b0	2'd0	1'b0	1'b0	1'b0	1'b0

Bits	Mnemonic	Description
[7]	MASTER_BCK_DIV1	When enabled, master BCK is I2S/TDM master encoding clock. Otherwise, BCK is less than or equal to (I2S/TDM master encoding clock)/2 (unless ENABLE_64FS_MODE is set). <ul style="list-style-type: none"> 1'b0: BCK is not I2S/TDM master encoding clock (default) 1'b1: BCK is I2S/TDM master encoding clock
[6]	MASTER_WS_IDLE	Sets the value of master WS when WS is idle. <ul style="list-style-type: none"> 1'b0: WS is 0 when idle (default) 1'b1: WS is 1 when idle
[5:4]	MASTER_FRAME_LENGTH	Selects the bit length in each I2S/TDM channel in master mode. <ul style="list-style-type: none"> 2'd0: 32 bit (default) 2'd2: 16 bit others: Reserved
[3]	MASTER_WS_PULSE_MODE	When enabled, master WS is a pulse signal instead of a 50% duty cycle signal. The pulse width is 1 BCK cycle. <ul style="list-style-type: none"> 1'b0: 50% duty cycle WS signal (default) 1'b1: Pulse WS signal
[2]	MASTER_BCK_INVERT	Inverts master BCK. <ul style="list-style-type: none"> 1'b0: Non-inverted (default) 1'b1: Inverted
[1]	MASTER_WS_INVERT	Inverts master WS. <ul style="list-style-type: none"> 1'b0: Non-inverted (default) 1'b1: Inverted
[0]	MASTER_MODE_ENABLE	Enables I2S/TDM master mode and generates master BCK and master WS. <ul style="list-style-type: none"> 1'b0: Disabled (default) 1'b1: Enabled

ES9842 PRO Product Datasheet

Register 9: I2S/TDM MASTER CLK CONFIG

Bits	[7]	[6:0]
Default	1'b0	7'd3

Bits	Mnemonic	Description
[7]	SELECT_I2S_TDM_HALF	<ul style="list-style-type: none"> 1'b0: Divide by SELECT_I2S_TDM_NUM + 1 (default) 1'b1: Divide by half of SELECT_I2S_TDM_NUM + 1 Note: Can only produce half of an odd number divide
[6:0]	SELECT_I2S_TDM_NUM	Whole number divide value + 1 for I2S/TDM master encoding clock (SYS_CLK/divide_value). <ul style="list-style-type: none"> 7'd0: Whole number divide value + 1 = 1 (default) 7'd1: Whole number divide value + 1 = 2 7'd127: Whole number divide value + 1 = 128

Register 10: TDM CONFIG1

Bits	[7:3]	[2]	[1]	[0]
Default	5'd0	1'b1	1'b0	1'b1

Bits	Mnemonic	Description
[7:3]	TDM_BIT_DELAY	Indicates the MSB-2 position of the data from the frame start. Valid from 5'd0 to 5'd31
[2]	TDM_VALID_EDGE	Sets on which WS edge the frame starts. <ul style="list-style-type: none"> 1'b0: Frame starts on posedge of WS 1'b1: Frame starts on negedge of WS (default)
[1]	TDM_LJ	Sets left-justified mode. <ul style="list-style-type: none"> 1'b0: No left-justified (default) 1'b1: Left-justified
[0]	ENABLE_TDM_CLK	Enables I2S/TDM encoding clock. <ul style="list-style-type: none"> 1'b0: I2S/TDM clock disabled 1'b1: I2S/TDM clock enabled (default)

Register 11: TDM CONFIG2

Bits	[7]	[6]	[5]	[4:0]
Default	1'b0	1'b0	1'b0	5'd1

Bits	Mnemonic	Description
[7]	TDM_GPIO456	Allows GPIO 4,5,6 to output TDM ADC data. <ul style="list-style-type: none"> 1'b0: Disabled (default), TDM data uses GPIO3 1'b1: Enabled, allows TDM data on GPIO3-6
[6]	TDM_CASCADE	Enables TDM cascade mode. In TDM cascade mode, GPIO4 is used as the cascade data input. <ul style="list-style-type: none"> 1'b0: Disabled (default) 1'b1: Enabled
[5]	TDM_LENGTH	Sets data length in each channel. <ul style="list-style-type: none"> 1'b0: 32 bits (default) 1'b1: 16 bits
[4:0]	TDM_CH_NUM	Sets number of channels in each frame. <ul style="list-style-type: none"> 5'd0: 1 channel 5'd1: 2 channels (default) 5'd31: 32 channels

Register 12: TDM SLOT CONFIG CH1

Bits	[7]	[6:5]	[4:0]
Default	1'b0	2'd0	5'd0

Bits	Mnemonic	Description
[7]	RESERVED	NA
[6:5]	TDM_LINE_SEL_CH1	Selects ADC CH1 data is presented on which TDM data line. <ul style="list-style-type: none"> 2'd0: TDM data line 1 - GPIO3 (default) 2'd1: TDM data line 2 - GPIO4 2'd2: TDM data line 3 - GPIO5 2'd3: TDM data line 4 - GPIO6
[4:0]	TDM_SLOT_SEL_CH1	Selects which TDM channel slot is filled by ADC CH1 data. <ul style="list-style-type: none"> 5'd0: Slot 1 (default) 5'd1: Slot 2 5'd31: Slot 32

ES9842 PRO Product Datasheet

Register 13: TDM SLOT CONFIG CH2

Bits	[7]	[6:5]	[4:0]
Default	1'b0	2'd0	5'd1

Bits	Mnemonic	Description
[7]	RESERVED	NA
[6:5]	TDM_LINE_SEL_CH2	Selects ADC CH2 data is presented on which TDM data line. <ul style="list-style-type: none"> • 2'd0: TDM data line 1 - GPIO3 (default) • 2'd1: TDM data line 2 - GPIO4 • 2'd2: TDM data line 3 - GPIO5 • 2'd3: TDM data line 4 - GPIO6
[4:0]	TDM_SLOT_SEL_CH2	Selects which TDM channel slot is filled by ADC CH2 data. <ul style="list-style-type: none"> • 5'd0: Slot 1 • 5'd1: Slot 2 (default) • 5'd31: Slot 32

Register 14: TDM SLOT CONFIG CH3

Bits	[7]	[6:5]	[4:0]
Default	1'b0	2'd0	5'd2

Bits	Mnemonic	Description
[7]	RESERVED	NA
[6:5]	TDM_LINE_SEL_CH3	Selects ADC CH3 data is presented on which TDM data line. <ul style="list-style-type: none"> • 2'd0: TDM data line 1 - GPIO3 (default) • 2'd1: TDM data line 2 - GPIO4 • 2'd2: TDM data line 3 - GPIO5 • 2'd3: TDM data line 4 - GPIO6
[4:0]	TDM_SLOT_SEL_CH3	Selects which TDM channel slot is filled by ADC CH3 data. <ul style="list-style-type: none"> • 5'd0: Slot 1 • 5'd1: Slot 2 • 5'd2: Slot 3 (default) • 5'd31: Slot 32

Register 15: TDM SLOT CONFIG CH4

Bits	[7]	[6:5]	[4:0]
Default	1'b0	2'd0	5'd3

Bits	Mnemonic	Description
[7]	RESERVED	NA
[6:5]	TDM_LINE_SEL_CH4	Selects ADC CH4 data is presented on which TDM data line. <ul style="list-style-type: none"> • 2'd0: TDM data line 1 - GPIO3 (default) • 2'd1: TDM data line 2 - GPIO4 • 2'd2: TDM data line 3 - GPIO5 • 2'd3: TDM data line 4 - GPIO6
[4:0]	TDM_SLOT_SEL_CH4	Selects which TDM channel slot is filled by ADC CH4 data. <ul style="list-style-type: none"> • 5'd0: Slot 1 • 5'd1: Slot 2 • 5'd3: Slot 4 (default) • 5'd31: Slot 32

ES9842 PRO Product Datasheet

Register 16: RAW DATA OUTPUT CONFIG

Bits	[7:6]	[5]	[4]	[3]	[2]	[1]	[0]
Default	2'd0	1'b0	1'b0	1'b0	1'b0	1'b0	1'b0

Bits	Mnemonic	Description
[7:6]	RESERVED	NA
[5]	RAW_DATA_MIX_DIV2_CH2_4	Divides the mixed Ch4-Ch2 raw data by 2. <ul style="list-style-type: none"> 1'b0: No divide (default) 1'b1: Divides by 2
[4]	RAW_DATA_MIX_DIV2_CH1_3	Divides the mixed Ch3-Ch1 raw data by 2. <ul style="list-style-type: none"> 1'b0: No divide (default) 1'b1: Divides by 2
[3]	ENABLE_RAW_DATA_MIX_CH2_4	Enables Ch2 and Ch4 raw data mixing. Mixed data = Ch4-Ch2. <ul style="list-style-type: none"> 1'b0: No mix (default) 1'b1: Enables mixing
[2]	ENABLE_RAW_DATA_MIX_CH1_3	Enables Ch1 and Ch3 raw data mixing. Mixed data = Ch3-Ch1. <ul style="list-style-type: none"> 1'b0: No mix (default) 1'b1: Enables mixing
[1]	NEG_RAW_DATA_SUB_CH2	Inverts ADC Ch2 raw data for Ch4-Ch2 raw data mixing. <ul style="list-style-type: none"> 1'b0: No inversion (default) 1'b1: Inverts Ch2 raw data
[0]	NEG_RAW_DATA_SUB_CH1	Inverts ADC Ch1 raw data for Ch3-Ch1 raw data mixing. <ul style="list-style-type: none"> 1'b0: No inversion (default) 1'b1: Inverts Ch1 raw data

Register 17: RAW DATA MAPPING

Bits	[7:6]	[5:4]	[3:2]	[1:0]
Default	2'd3	2'd2	2'd1	2'd0

Bits	Mnemonic	Description
[7:6]	RAW_DATA_MAPPING_CH4	Re-maps Ch4 data from 1 of the 4 analog ADC data inputs. <ul style="list-style-type: none"> 2'd0: Ch4 data is from analog ADC Ch1 2'd1: Ch4 data is from analog ADC Ch2 2'd2: Ch4 data is from analog ADC Ch3 2'd3: Ch4 data is from analog ADC Ch4 (default)
[5:4]	RAW_DATA_MAPPING_CH3	Re-maps Ch3 data from 1 of the 4 analog ADC data inputs. <ul style="list-style-type: none"> 2'd0: Ch3 data is from analog ADC Ch1 2'd1: Ch3 data is from analog ADC Ch2 2'd2: Ch3 data is from analog ADC Ch3 (default) 2'd3: Ch3 data is from analog ADC Ch4
[3:2]	RAW_DATA_MAPPING_CH2	Re-maps Ch2 data from 1 of the 4 analog ADC data inputs. <ul style="list-style-type: none"> 2'd0: Ch2 data is from analog ADC Ch1 2'd1: Ch2 data is from analog ADC Ch2 (default) 2'd2: Ch2 data is from analog ADC Ch3 2'd3: Ch2 data is from analog ADC Ch4
[1:0]	RAW_DATA_MAPPING_CH1	Re-maps Ch1 data from 1 of the 4 analog ADC data inputs. <ul style="list-style-type: none"> 2'd0: Ch1 data is from analog ADC Ch1 (default) 2'd1: Ch1 data is from analog ADC Ch2 2'd2: Ch1 data is from analog ADC Ch3 2'd3: Ch1 data is from analog ADC Ch4

ES9842 PRO Product Datasheet

Register 18: PCM DATA OUTPUT MAPPING

Bits	[7:6]	[5:4]	[3:2]	[1:0]
Default	2'd3	2'd2	2'd1	2'd0

Bits	Mnemonic	Description
[7:6]	OUTPUT_MAPPING_CH4	<p>Re-maps Ch4 PCM data output from 1 of the 4 ADC decimation paths or ASP outputs (when ASP is enabled).</p> <ul style="list-style-type: none"> 2'd0: Ch4 PCM data output is from ADC decimation path Ch1 or ASP output Ch1 2'd1: Ch4 PCM data output is from ADC decimation path Ch2 or ASP output Ch2 2'd2: Ch4 PCM data output is from ADC decimation path Ch3 or ASP output Ch3 2'd3: Ch4 PCM data output is from ADC decimation path Ch4 or ASP output Ch4 (default)
[5:4]	OUTPUT_MAPPING_CH3	<p>Re-maps Ch3 PCM data output from 1 of the 4 ADC decimation paths or ASP outputs (when ASP is enabled).</p> <ul style="list-style-type: none"> 2'd0: Ch3 PCM data output is from ADC decimation path Ch1 or ASP output Ch1 2'd1: Ch3 PCM data output is from ADC decimation path Ch2 or ASP output Ch2 2'd2: Ch3 PCM data output is from ADC decimation path Ch3 or ASP output Ch3 (default) 2'd3: Ch3 PCM data output is from ADC decimation path Ch4 or ASP output Ch4
[3:2]	OUTPUT_MAPPING_CH2	<p>Re-maps Ch2 PCM data output from 1 of the 4 ADC decimation paths or ASP outputs (when ASP is enabled).</p> <ul style="list-style-type: none"> 2'd0: Ch2 PCM data output is from ADC decimation path Ch1 or ASP output Ch1 2'd1: Ch2 PCM data output is from ADC decimation path Ch2 or ASP output Ch2 (default) 2'd2: Ch2 PCM data output is from ADC decimation path Ch3 or ASP output Ch3 2'd3: Ch2 PCM data output is from ADC decimation path Ch4 or ASP output Ch4
[1:0]	OUTPUT_MAPPING_CH1	<p>Re-maps Ch1 PCM data output from 1 of the 4 ADC decimation paths or ASP outputs (when ASP is enabled).</p>



		<ul style="list-style-type: none">• 2'd0: Ch1 PCM data output is from ADC decimation path Ch1 or ASP output Ch1 (default)• 2'd1: Ch1 PCM data output is from ADC decimation path Ch2 or ASP output Ch2• 2'd2: Ch1 PCM data output is from ADC decimation path Ch3 or ASP output Ch3• 2'd3: Ch1 PCM data output is from ADC decimation path Ch4 or ASP output Ch4
--	--	---

ES9842 PRO Product Datasheet

Register 19: DSD DATA OUTPUT MAPPING

Bits	[7:6]	[5:4]	[3:2]	[1:0]
Default	2'd3	2'd2	2'd1	2'd0

Bits	Mnemonic	Description
[7:6]	DSD_MAPPING_CH4	<p>Re-maps Ch4 DSD data output from 1 of the 4 ADC decimation paths.</p> <ul style="list-style-type: none"> 2'd0: Ch4 DSD data output is from ADC decimation path Ch1 2'd1: Ch4 DSD data output is from ADC decimation path Ch2 2'd2: Ch4 DSD data output is from ADC decimation path Ch3 2'd3: Ch4 DSD data output is from ADC decimation path Ch4 (default)
[5:4]	DSD_MAPPING_CH3	<p>Re-maps Ch3 DSD data output from 1 of the 4 ADC decimation paths.</p> <ul style="list-style-type: none"> 2'd0: Ch3 DSD data output is from ADC decimation path Ch1 2'd1: Ch3 DSD data output is from ADC decimation path Ch2 2'd2: Ch3 DSD data output is from ADC decimation path Ch3 (default) 2'd3: Ch3 DSD data output is from ADC decimation path Ch4
[3:2]	DSD_MAPPING_CH2	<p>Re-maps Ch2 DSD data output from 1 of the 4 ADC decimation paths.</p> <ul style="list-style-type: none"> 2'd0: Ch2 DSD data output is from ADC decimation path Ch1 2'd1: Ch2 DSD data output is from ADC decimation path Ch2 (default) 2'd2: Ch2 DSD data output is from ADC decimation path Ch3 2'd3: Ch2 DSD data output is from ADC decimation path Ch4
[1:0]	DSD_MAPPING_CH1	<p>Re-maps Ch1 DSD data output from 1 of the 4 ADC decimation paths.</p> <ul style="list-style-type: none"> 2'd0: Ch1 DSD data output is from ADC decimation path Ch1 (default) 2'd1: Ch1 DSD data output is from ADC decimation path Ch2 2'd2: Ch1 DSD data output is from ADC decimation path Ch3 2'd3: Ch1 DSD data output is from ADC decimation path Ch4

Register 20: TPDF DITHER LEVEL

Bits	[7:5]	[4:0]
Default	3'd0	5'd16

Bits	Mnemonic	Description
[7:5]	RESERVED	NA
[4:0]	DITHER_SCALE	TPDF dither level: <ul style="list-style-type: none"> • 5'd0: 16 bits • 5'd1: 17 bits • 5'd2: 18 bits • 5'd3: 19 bits • 5'd4: 20 bits • 5'd5: 21 bits • 5'd6: 22 bits • 5'd7: 23 bits • 5'd8: 24 bits • 5'd9: 25 bits • 5'd10: 26 bits • 5'd11: 27 bits • 5'd12: 28 bits • 5'd13: 29 bits • 5'd14: 30 bits • 5'd15: 31 bits • 5'd16: 32 bits (TPDF dither disabled) (default) • Others: Reserved

ES9842 PRO Product Datasheet

Register 22-21: DITHER MASK

Bits	[15:0]
Default	16'hFFFF

Bits	Mnemonic	Description
[15:0]	DITHER_MASK	<p>Mask off the LSB's of PCM data output.</p> <ul style="list-style-type: none"> • 16'h0000: Quantized to 16 bits • 16'h8000: Quantized to 17 bits • 16'hC000: Quantized to 18 bits • 16'hE000: Quantized to 19 bits • 16'hF000: Quantized to 20 bits • 16'hF800: Quantized to 21 bits • 16'hFC00: Quantized to 22 bits • 16'hFE00: Quantized to 23 bits • 16'hFF00: Quantized to 24 bits • 16'hFF80: Quantized to 25 bits • 16'hFFC0: Quantized to 26 bits • 16'hFFE0: Quantized to 27 bits • 16'hFFF0: Quantized to 28 bits • 16'hFFF8: Quantized to 29 bits • 16'hFFFC: Quantized to 30 bits • 16'hFFFE: Quantized to 31 bits • 16'hFFFF: Quantized to 32 bits (default) • Others: Reserved

Register 23: FS GEN PHASE CONTROL

Bits	[7]	[6:0]
Default	1'b0	7'd4

Bits	Mnemonic	Description
[7]	DSD_SYNC_TO_1FS	<p>In DSD mode, when enabled, DSD logic is sync to an 1FS signal input from GPIO2. When not enabled, DSD logic is sync to DSD clock input from GPIO1.</p> <ul style="list-style-type: none"> 1'b0: DSD logic is sync to DSD clock input from GPIO1 (default) 1'b1: DSD logic is sync to 1FS signal input from GPIO2
[6:0]	FS_PHASE	<p>Controls phase of the generated FS signals.</p> <ul style="list-style-type: none"> Valid from 7'd0 to 7'd127 <p>Note: Should be set to 7'd10 for phase alignment of all sample rates and serial modes</p>

Register 26-24: RESERVED
Register 27: INTERRUPT

Bits	[7]	[6]	[5]	[4]	[3]	[2]	[1]	[0]
Default	1'b0	1'b0	1'b0	1'b0	1'b0	1'b0	1'b0	1'b0

Bits	Mnemonic	Description
[7]	INTERRUPT_CLEAR_CH4_PEAK_DETECT	<p>Clears the peak detector interrupt of ADC CH4.</p> <ul style="list-style-type: none"> 1'b0: Interrupt held if asserted and not masked (default) 1'b1: Interrupt cleared
[6]	INTERRUPT_CLEAR_CH3_PEAK_DETECT	<p>Clears the peak detector interrupt of ADC CH3.</p> <ul style="list-style-type: none"> 1'b0: Interrupt held if asserted and not masked (default) 1'b1: Interrupt cleared
[5]	INTERRUPT_CLEAR_CH2_PEAK_DETECT	<p>Clears the peak detector interrupt of ADC CH2.</p> <ul style="list-style-type: none"> 1'b0: Interrupt held if asserted and not masked (default) 1'b1: Interrupt cleared
[4]	INTERRUPT_CLEAR_CH1_PEAK_DETECT	<p>Clears the peak detector interrupt of ADC CH1.</p> <ul style="list-style-type: none"> 1'b0: Interrupt held if asserted and not masked (default) 1'b1: Interrupt cleared

ES9842 PRO Product Datasheet

[3]	INTERRUPT_MASK_CH4_PEAK_DETECT	Masks the peak detector interrupt of ADC CH4. <ul style="list-style-type: none"> 1'b0: Interrupt masked (default) 1'b1: Interrupt held if asserted
[2]	INTERRUPT_MASK_CH3_PEAK_DETECT	Masks the peak detector interrupt of ADC CH3. <ul style="list-style-type: none"> 1'b0: Interrupt masked (default) 1'b1: Interrupt held if asserted
[1]	INTERRUPT_MASK_CH2_PEAK_DETECT	Masks the peak detector interrupt of ADC CH2. <ul style="list-style-type: none"> 1'b0: Interrupt masked (default) 1'b1: Interrupt held if asserted
[0]	INTERRUPT_MASK_CH1_PEAK_DETECT	Masks the peak detector interrupt of ADC CH1. <ul style="list-style-type: none"> 1'b0: Interrupt masked (default) 1'b1: Interrupt held if asserted

Register 32-28: SPDIF CONFIG

Bits	[39:0]
Default	40'd0

Bits	Mnemonic	Description
[39:0]	SPDIF_CS	Configures SPDIF sub-code bits.

Register 33: DSD DITHER SCALE & SYNC CONTROL

Bits	[7]	[6]	[5]	[4:0]
Default	1'b0	1'b0	1'b0	5'd21

Bits	Mnemonic	Description
[7]	SYNC_POSEDGE_FRAME	Selects the logic is sync to which edge of the sync reference signal. <ul style="list-style-type: none"> 1'b0: Sync to negative edge of the sync reference (default) 1'b1: Sync to positive edge of the sync reference
[6]	DISABLE_SYNC_REF	Disables the sync reference. <ul style="list-style-type: none"> 1'b0: Sync reference enabled (default) 1'b1: Sync reference disabled
5]	FORCE_FIR_SYNC	Forces FIR to re-sync to the reference. <ul style="list-style-type: none"> 1'b0: No force (default) 1'b1: Forces FIR to re-sync
[4:0]	DSD_DITHER_SCALE	DSD noise shaped dither scale.

ES9842 PRO Product Datasheet

Register 34: SYNC CONTROL

Bits	[7]	[6]	[5]	[4]	[3]	[2]	[1]	[0]
Default	1'b0	1'b0	1'b0	1'b1	1'b1	1'b1	1'b1	1'b1

Bits	Mnemonic	Description
[7]	AUTO_ADC_CLKDIV_SYNC	When enabled, the analog ADC clock divider is only allowed to change synchronously to the reference. <ul style="list-style-type: none"> 1'b0: Auto sync disabled (default) 1'b1: Auto sync enabled
[6]	AUTO_CLK_IADC_PHASE_SYNC	Allows phase of CLK_IADC to be tuned automatically according to ADC input data. Only used when SYS_CLK is faster than CLK_IADC. <ul style="list-style-type: none"> 1'b0: CLK_IADC phase tuning disabled (default) 1'b1: Auto CLK_IADC phase tuning
[5]	AUTO_DSD_PHASE_SYNC	Uses DSD clock input from GPIO1 as the sync reference, unless DSD_SYNC_TO_1FS is set. <ul style="list-style-type: none"> 1'b0: DSD clock is not the sync reference (default) 1'b1: DSD clock is the sync reference, unless DSD_SYNC_TO_1FS is set
[4]	AUTO_WS_PHASE_SYNC	Uses WS input from GPIO2 as the sync reference, if AUTO_DSD_PHASE_SYNC is not set. <ul style="list-style-type: none"> 1'b0: WS is not the sync reference 1'b1: WS is the sync reference, if AUTO_DSD_PHASE_SYNC is not set (default)
[3]	AUTO_ICG_EN_SYNC	When enabled, the clock dividers and ADC enables are only allowed to change synchronously to the reference. <ul style="list-style-type: none"> 1'b0: Auto sync disabled 1'b1: Auto sync enabled (default)
[2]	AUTO_ICG_SYNC	Allows programmable clock dividers to auto sync to the reference. <ul style="list-style-type: none"> 1'b0: Auto sync disabled 1'b1: Auto sync enabled (default)
[1]	AUTO_FIR_SYNC	Allows FIR to auto sync to the reference. <ul style="list-style-type: none"> 1'b0: Auto sync disabled 1'b1: Auto sync enabled (default)
[0]	AUTO_FS_SYNC	Allows FS signals to auto sync to the reference. <ul style="list-style-type: none"> 1'b0: Auto sync disabled 1'b1: Auto sync enabled (default)

ASP Registers

Register 35: ASP1 CONFIG

Bits	[7:6]	[5:1]	[0]
Default	2'b00	5'd0	1'b0

Bits	Mnemonic	Description
[7:6]	RESERVED	NA
[5:1]	SELECT_ASP1_NUM	Whole number divide value + 1 for ASP1 clock (SYS_CLK/divide_value). <ul style="list-style-type: none"> 5'd0: Whole number divide value + 1 = 1 (default) 5'd1: Whole number divide value + 1 = 2 5'd31: Whole number divide value + 1 = 32
[0]	ENABLE_ASP1_CLK	Enables ASP1 clock. <ul style="list-style-type: none"> 1'b0: Disabled (default) 1'b1: Enabled

Register 36: ASP2 CONFIG

Bits	[7:6]	[5:1]	[0]
Default	2'b00	5'd0	1'b0

Bits	Mnemonic	Description
[7:6]	RESERVED	NA
[5:1]	SELECT_ASP2_NUM	Whole number divide value + 1 for ASP2 clock (SYS_CLK/divide_value). <ul style="list-style-type: none"> 5'd0: Whole number divide value + 1 = 1 (default) 5'd1: Whole number divide value + 1 = 2 5'd31: Whole number divide value + 1 = 32
[0]	ENABLE_ASP2_CLK	Enables ASP2 clock. <ul style="list-style-type: none"> 1'b0: Disabled (default) 1'b1: Enabled

ES9842 PRO Product Datasheet

Register 37: ASP ENABLE & PROGRAM CONTROL

Bits	[7]	[6]	[5]	[4]	[3]	[2]	[1]	[0]
Default	1'b0	1'b0	1'b0	1'b0	1'b0	1'b0	1'b0	1'b0

Bits	Mnemonic	Description
[7]	ASP2_COEFF_WE	Enables writing to the ASP2 coeff RAM. <ul style="list-style-type: none"> 1'b0: Writing disabled (default) 1'b1: Writing enabled
[6]	ASP1_COEFF_WE	Enables writing to the ASP1 coeff RAM. <ul style="list-style-type: none"> 1'b0: Writing disabled (default) 1'b1: Writing enabled
[5]	ASP2_PROGRAM_WE	Enables writing to the ASP2 program memory. <ul style="list-style-type: none"> 1'b0: Writing disabled (default) 1'b1: Writing enabled
[4]	ASP1_PROGRAM_WE	Enables writing to the ASP1 program memory. <ul style="list-style-type: none"> 1'b0: Writing disabled (default) 1'b1: Writing enabled
[3]	ASP2_PROGRAM_EN	Enables ASP2 program memory and coeff RAM programming before its output is enabled and used in the signal path. <ul style="list-style-type: none"> 1'b0: Programming disabled (default) 1'b1: Programming enabled
[2]	ASP1_PROGRAM_EN	Enables ASP1 program memory and coeff RAM programming before its output is enabled and used in the signal path. <ul style="list-style-type: none"> 1'b0: Programming disabled (default) 1'b1: Programming enabled
[1]	ENABLE_ASP2	Selects whether ASP2 is enabled and used in the signal path or disabled and bypassed. <ul style="list-style-type: none"> 1'b0: ASP2 is disabled and bypassed (default) 1'b1: ASP2 is enabled. Data is processed by ASP2 before output
[0]	ENABLE_ASP1	Selects whether ASP1 is enabled and used in the signal path or disabled and bypassed. <ul style="list-style-type: none"> 1'b0: ASP1 is disabled and bypassed (default) 1'b1: ASP1 is enabled. Data is processed by ASP1 before output

Register 39-38: ASP PROGRAM ADDR

Bits	[15:9]	[8:0]
Default	7'd0	9'd0

Bits	Mnemonic	Description
[15:9]	RESERVED	NA
[8:0]	ASP_PROGRAM_ADDR	Selects the program address when writing custom program codes for either ASP.

Register 41-40: ASP PROGRAM

Bits	[15:14]	[13:0]
Default	2'd0	14'd0

Bits	Mnemonic	Description
[15:14]	RESERVED	NA
[13:0]	ASP_PROGRAM_IN	A 14 bits program instruction that will be written to the address of either ASP defined by ASP_PROGRAM_ADDR.

Register 42: ASP COEFF ADDR

Bits	[7:6]	[5:0]
Default	2'd0	6'd0

Bits	Mnemonic	Description
[7:6]	RESERVED	NA
[5:0]	ASP_COEFF_ADDR	Selects the coefficient address when writing custom coefficient for either ASP.

ES9842 PRO Product Datasheet

Register 50-43: ASP COEFF

Bits	[63:32]	[31:0]
Default	32'd0	32'd0

Bits	Mnemonic	Description
[63:32]	ASP_COEFF_MSB	A 32 bits coefficient that will be written to the address defined by ASP_COEFF_ADDR. These last 32 bits are typically used for the channel 2 data.
[31:0]	ASP_COEFF_LSB	A 32 bits coefficient that will be written to the address defined by ASP_COEFF_ADDR. These first 32 bits are typically used for the channel 1 data.

Register 51: ASP1 CH1 STEP SIZE

Bits	[7:0]
Default	8'd0

Bits	Mnemonic	Description
[7:0]	ASP1_CH1_STEP_SIZE	Programmable value to be used in multiplications for Ch1 within ASP1.

Register 52: ASP1 CH2 STEP SIZE

Bits	[7:0]
Default	8'd0

Bits	Mnemonic	Description
[7:0]	ASP1_CH2_STEP_SIZE	Programmable value to be used in multiplications for Ch2 within ASP1.

Register 53: ASP2 CH1 STEP SIZE

Bits	[7:0]
Default	8'd0

Bits	Mnemonic	Description
[7:0]	ASP2_CH1_STEP_SIZE	Programmable value to be used in multiplications for Ch1 within ASP2.

Register 54: ASP2 CH2 STEP SIZE

Bits	[7:0]
Default	8'd0

Bits	Mnemonic	Description
[7:0]	ASP2_CH2_STEP_SIZE	Programmable value to be used in multiplications for Ch2 within ASP2.

ES9842 PRO Product Datasheet

Register 55: ASP1 CUSTOM ADDR

Bits	[7:6]	[5:0]
Default	2'd0	6'd0

Bits	Mnemonic	Description
[7:6]	RESERVED	NA
[5:0]	ASP1_CUSTOM_ADDR	Custom address that can be accessed through the MOV_RAM1_ADDR instruction in ASP1.

Register 56: ASP1 CUSTOM ADDR2

Bits	[7:6]	[5:0]
Default	2'd0	6'd0

Bits	Mnemonic	Description
[7:6]	RESERVED	NA
[5:0]	ASP1_CUSTOM_ADDR2	Custom address that can be accessed through the MOV_RAM2_ADDR instruction in ASP1.

Register 57: ASP2 CUSTOM ADDR

Bits	[7:6]	[5:0]
Default	2'd0	6'd0

Bits	Mnemonic	Description
[7:6]	RESERVED	NA
[5:0]	ASP2_CUSTOM_ADDR	Custom address that can be accessed through the MOV_RAM1_ADDR instruction in ASP2.

**Register 58: ASP2 CUSTOM ADDR2**

Bits	[7:6]	[5:0]
Default	2'd0	6'd0

Bits	Mnemonic	Description
[7:6]	RESERVED	NA
[5:0]	ASP2_CUSTOM_ADDR2	Custom address that can be accessed through the MOV_RAM2_ADDR instruction in ASP2.



Delay Line Registers

Register 60-59: I2S DECODER CONFIG

Bits	[15:14]	[13:12]	[11]	[10]	[9:0]
Default	2'd0	2'd0	1'b0	1'b0	10'd0

Bits	Mnemonic	Description
[15:14]	I2S_DECODER_WORD_WIDTH	Sets the number of bits in a channel. <ul style="list-style-type: none"> 2'd0: 32 bits (default) 2'd1: 24 bits 2'd2: 16 bits 2'd3: Reserved
[13:12]	I2S_DECODER_BIT_DEPTH	Sets the number of bits of data. <ul style="list-style-type: none"> 2'd0: 32 bits (default) 2'd1: 24 bits 2'd2: 16 bits 2'd3: Reserved
[11]	I2S_DECODER_POSEDGE_FRAME	Sets where the frame starts. <ul style="list-style-type: none"> 1'b0: Indicates frame starts on negedge of WS (default) 1'b1: Indicates frame starts on posedge of WS
[10]	ENABLE_I2S_DECODER	Enables I2S decoder. <ul style="list-style-type: none"> 1'b0: Disabled (default) 1'b1: Enabled
[9:0]	I2S_DECODER_BIT_START	Indicates the MSB-2 position of the data from the frame start. Valid from 10'h000 to 10'h3FF

Register 62-61: DELAY LINE CONFIG

Bits	[15:10]	[9]	[8:0]
Default	6'd10	1'b0	9'd0

Bits	Mnemonic	Description
[15:10]	RESERVED	NA
[9]	ENABLE_CLK_DL	Enables delay line clock and data output. <ul style="list-style-type: none"> 1'b0: Disabled (default) 1'b1: Enabled
[8:0]	PROG_DELAY_LINE	Sets the length of the delay line.

		<ul style="list-style-type: none"> 9'd0: No delay (default) 9'd1: Delay the I2S input data by 1 sample 9'd2: Delay the I2S input data by 2 samples 9'd511: Delay the I2S input data by 511 samples
--	--	--

Register 63: ADC CH1 CONFIG 1

Bits	[7:6]	[5:4]	[3]	[2]	[1]	[0]
Default	2'b00	2'b00	1'b0	1'b0	1'b0	1'b0

Bits	Mnemonic	Description
[7:6]	ADC_INT23_SEL_CH1	ADC integrator 2 and 3 control. <ul style="list-style-type: none"> Program to 2'b11 for optimum performance
[5:4]	ADC_INT1_SEL_CH1	ADC integrator 1 control. <ul style="list-style-type: none"> Program to 2'b10 for optimum performance
[3]	ADC_EN_FB_CH1	Enable ADC1 feedback path. <ul style="list-style-type: none"> 1'b0: Disabled (default) 1'b1: Enabled
[2]	RESERVED	NA
[1]	ADC_EN_INT_CH1	Enable for INT for Channel 1. <ul style="list-style-type: none"> 1'b0: Disabled (default) 1'b1: Enabled
[0]	ADC_EN_CH1	Enable for Comparator and Logic for Channel 1. <ul style="list-style-type: none"> 1'b0: Disabled (default) 1'b1: Enabled

ES9842 PRO Product Datasheet

Register 64: ADC CH1 CONFIG 2

Bits	[7:5]	[4:3]	[2]	[1]	[0]
Default	3'b000	2'b00	1'b0	1'b0	1'b0

Bits	Mnemonic	Description
[7:5]	ADC_COMP_SEL_CH1	Sets the gain of the comparator for Channel 1. <ul style="list-style-type: none"> Program to 3'b001 for optimum performance
[4:3]	ADC_SUM_SEL_CH1	Sets the bandwidth of the summing amplifier for Channel 1. <ul style="list-style-type: none"> Program to 2'b11 for optimum performance
[2]	ADC_USE_DITHER_EXT_CH1	Enable the external dither for Channel 1. <ul style="list-style-type: none"> 1'b0: Disabled (default) 1'b1: Enabled
[1]	ADC_USE_DITHER_CH1	Enable the dither for Channel 1. <ul style="list-style-type: none"> 1'b0: Disabled (default) 1'b1: Enabled
[0]	ADC_USE_STATE_CH1	Use state as logic output for Channel 1. <ul style="list-style-type: none"> Default value is 0.

Register 65: ADC CH2 CONFIG 1

Bits	[7:6]	[5:4]	[3]	[2]	[1]	[0]
Default	2'b00	2'b00	1'b0	1'b0	1'b0	1'b0

Bits	Mnemonic	Description
[7:6]	ADC_INT23_SEL_CH2	ADC integrator 2 and 3 control. <ul style="list-style-type: none"> • Program to 2'b11 for optimum performance
[5:4]	ADC_INT1_SEL_CH2	ADC integrator 1 control. <ul style="list-style-type: none"> • Program to 2'b10 for optimum performance
[3]	ADC_EN_FB_CH2	Enable ADC2 feedback path. <ul style="list-style-type: none"> • 1'b0: Disabled (default) • 1'b1: Enabled
[2]	RESERVED	NA
[1]	ADC_EN_INT_CH2	Enable for INT for Channel 2. <ul style="list-style-type: none"> • 1'b0: Disabled (default) • 1'b1: Enabled
[0]	ADC_EN_CH2	Enable for Comparator and Logic for Channel 2. <ul style="list-style-type: none"> • 1'b0: Disabled (default) • 1'b1: Enabled

ES9842 PRO Product Datasheet

Register 66: ADC CH2 CONFIG 2

Bits	[7:5]	[4:3]	[2]	[1]	[0]
Default	3'b000	2'b00	1'b0	1'b0	1'b0

Bits	Mnemonic	Description
[7:5]	ADC_COMP_SEL_CH2	Sets the gain of the comparator for Channel 2. <ul style="list-style-type: none"> Program to 3'b001 for optimum performance
[4:3]	ADC_SUM_SEL_CH2	Sets the bandwidth of the summing amplifier for Channel 2. <ul style="list-style-type: none"> Program to 2'b11 for optimum performance
[2]	ADC_USE_DITHER_EXT_CH2	Enable the external dither for Channel 2. <ul style="list-style-type: none"> 1'b0: Disabled (default) 1'b1: Enabled
[1]	ADC_USE_DITHER_CH2	Enable the dither for Channel 2. <ul style="list-style-type: none"> 1'b0: Disabled (default) 1'b1: Enabled
[0]	ADC_USE_STATE_CH2	Use state as logic output for Channel 2. <ul style="list-style-type: none"> Default value is 0.

Register 67: ADC CH3 CONFIG 1

Bits	[7:6]	[5:4]	[3]	[2]	[1]	[0]
Default	2'b00	2'b00	1'b0	1'b0	1'b0	1'b0

Bits	Mnemonic	Description
[7:6]	ADC_INT23_SEL_CH3	ADC integrator 2 and 3 control. <ul style="list-style-type: none"> • Program to 2'b11 for optimum performance
[5:4]	ADC_INT1_SEL_CH3	ADC integrator 1 control. <ul style="list-style-type: none"> • Program to 2'b10 for optimum performance
[3]	ADC_EN_FB_CH3	Enable ADC3 feedback path. <ul style="list-style-type: none"> • 1'b0: Disabled (default) • 1'b1: Enabled
[2]	RESERVED	NA
[1]	ADC_EN_INT_CH3	Enable for INT for Channel 3. <ul style="list-style-type: none"> • 1'b0: Disabled (default) • 1'b1: Enabled
[0]	ADC_EN_CH3	Enable for Comparator and Logic for Channel 3. <ul style="list-style-type: none"> • 1'b0: Disabled (default) • 1'b1: Enabled

ES9842 PRO Product Datasheet

Register 68: ADC CH3 CONFIG 2

Bits	[7:5]	[4:3]	[2]	[1]	[0]
Default	3'b000	2'b00	1'b0	1'b0	1'b0

Bits	Mnemonic	Description
[7:5]	ADC_COMP_SEL_CH3	Sets the gain of the comparator for Channel 3. <ul style="list-style-type: none"> Program to 3'b001 for optimum performance
[4:3]	ADC_SUM_SEL_CH3	Sets the bandwidth of the summing amplifier for Channel 3. <ul style="list-style-type: none"> Program to 2'b11 for optimum performance
[2]	ADC_USE_DITHER_EXT_CH3	Enable the external dither for Channel 3. <ul style="list-style-type: none"> 1'b0: Disabled (default) 1'b1: Enabled
[1]	ADC_USE_DITHER_CH3	Enable the dither for Channel 3. <ul style="list-style-type: none"> 1'b0: Disabled (default) 1'b1: Enabled
[0]	ADC_USE_STATE_CH3	Use state as logic output for Channel 3. <ul style="list-style-type: none"> Default value is 0.

Register 69: ADC CH4 CONFIG 1

Bits	[7:6]	[5:4]	[3]	[2]	[1]	[0]
Default	2'b00	2'b00	1'b0	1'b0	1'b0	1'b0

Bits	Mnemonic	Description
[7:6]	ADC_INT23_SEL_CH4	ADC integrator 2 and 3 control. <ul style="list-style-type: none"> • Program to 2'b11 for optimum performance
[5:4]	ADC_INT1_SEL_CH4	ADC integrator 1 control. <ul style="list-style-type: none"> • Program to 2'b10 for optimum performance
[3]	ADC_EN_FB_CH4	Enable ADC4 feedback path. <ul style="list-style-type: none"> • 1'b0: Disabled (default) • 1'b1: Enabled
[2]	RESERVED	NA
[1]	ADC_EN_INT_CH4	Enable for INT for Channel 4. <ul style="list-style-type: none"> • 1'b0: Disabled (default) • 1'b1: Enabled
[0]	ADC_EN_CH4	Enable for Comparator and Logic for Channel 4. <ul style="list-style-type: none"> • 1'b0: Disabled (default) • 1'b1: Enabled

ES9842 PRO Product Datasheet

Register 70: ADC CH4 CONFIG 2

Bits	[7:5]	[4:3]	[2]	[1]	[0]
Default	3'b000	2'b00	1'b0	1'b0	1'b0

Bits	Mnemonic	Description
[7:5]	ADC_COMP_SEL_CH4	Sets the gain of the comparator for Channel 4. <ul style="list-style-type: none"> Program to 3'b001 for optimum performance
[4:3]	ADC_SUM_SEL_CH4	Sets the bandwidth of the summing amplifier for Channel 4. <ul style="list-style-type: none"> Program to 2'b11 for optimum performance
[2]	ADC_USE_DITHER_EXT_CH4	Enable the external dither for Channel 4. <ul style="list-style-type: none"> 1'b0: Disabled (default) 1'b1: Enabled
[1]	ADC_USE_DITHER_CH4	Enable the dither for Channel 4. <ul style="list-style-type: none"> 1'b0: Disabled (default) 1'b1: Enabled
[0]	ADC_USE_STATE_CH4	Use state as logic output for Channel 4. <ul style="list-style-type: none"> Default value is 0.

Register 71: ADC COMMON MODE CONFIG

Bits	[7]	[6]	[5]	[4]	[3]	[2]	[1]	[0]
Default	1'd0	1'd0	1'd0	1'd0	1'd0	1'd0	1'd0	1'd0

Bits	Mnemonic	Description
[7]	ADC_CM_AMP_SEL_CH4	Set the common mode voltage of the summing amplifiers for Channel 4. <ul style="list-style-type: none"> Set to 1'b1 for optimal operation
[6]	ADC_CM_INT_SEL_CH4	Set the common mode voltages of the integrators for Channel 4. <ul style="list-style-type: none"> Set to 1'b1 for optimal operation
[5]	ADC_CM_AMP_SEL_CH3	Set the common mode voltage of the summing amplifiers for Channel 3. <ul style="list-style-type: none"> Set to 1'b1 for optimal operation
[4]	ADC_CM_INT_SEL_CH3	Set the common mode voltages of the integrators for Channel 3. <ul style="list-style-type: none"> Set to 1'b1 for optimal operation
[3]	ADC_CM_AMP_SEL_CH2	Set the common mode voltage of the summing amplifiers for Channel 2. <ul style="list-style-type: none"> Set to 1'b1 for optimal operation
[2]	ADC_CM_INT_SEL_CH2	Set the common mode voltages of the integrators for Channel 2. <ul style="list-style-type: none"> Set to 1'b1 for optimal operation
[1]	ADC_CM_AMP_SEL_CH1	Set the common mode voltage of the summing amplifiers for Channel 1. <ul style="list-style-type: none"> Set to 1'b1 for optimal operation
[0]	ADC_CM_INT_SEL_CH1	Set the common mode voltages of the integrators for Channel 1. <ul style="list-style-type: none"> Set to 1'b1 for optimal operation

Register 73-72: RESERVED



GPIO Registers

Register 74: GPIO1/2 CONFIG

Bits	[7:4]	[3:0]
Default	4'd0	4'd0

Bits	Mnemonic	Description
[7:4]	GPIO2_CFG	Configure GPIO2 <ul style="list-style-type: none"> • 4'd0: Analog outputs off – shutdown (default) • 4'd1: Aux inputs – input • 4'd2: Aux outputs – output • 4'd3: Raw data stream – output • 4'd4: Ch1 peak flag interrupt – output • 4'd5: Ch2 peak flag interrupt – output • 4'd6: Ch3 peak flag interrupt – output • 4'd7: Ch4 peak flag interrupt – output • 4'd8: S/PDIF stream – output • 4'd9: PWM1 signal – output • 4'd10: PWM2 signal – output • 4'd11: PWM3 signal – output • 4'd12: CLK_IADC – output • 4'd13: CLK_ADC – output • 4'd14: Output 0 – output • 4'd15: Output 1 – output
[3:0]	GPIO1_CFG	Configure GPIO1 <ul style="list-style-type: none"> • 4'd0: Analog outputs off – shutdown (default) • 4'd1: Aux inputs – input • 4'd2: Aux outputs – output • 4'd3: Raw data stream – output • 4'd4: Ch1 peak flag interrupt – output • 4'd5: Ch2 peak flag interrupt – output • 4'd6: Ch3 peak flag interrupt – output • 4'd7: Ch4 peak flag interrupt – output • 4'd8: S/PDIF stream – output • 4'd9: PWM1 signal – output • 4'd10: PWM2 signal – output • 4'd11: PWM3 signal – output • 4'd12: CLK_IADC – output • 4'd13: CLK_ADC – output • 4'd14: Output 0 – output • 4'd15: Output 1 – output

Register 75: GPIO3/4 CONFIG

Bits	[7:4]	[3:0]
Default	4'd0	4'd0

Bits	Mnemonic	Description
[7:4]	GPIO4_CFG	Configure GPIO4 <ul style="list-style-type: none"> • 4'd0: Analog outputs off – shutdown (default) • 4'd1: Aux inputs – input • 4'd2: Aux outputs – output • 4'd3: Raw data stream – output • 4'd4: Ch1 peak flag interrupt – output • 4'd5: Ch2 peak flag interrupt – output • 4'd6: Ch3 peak flag interrupt – output • 4'd7: Ch4 peak flag interrupt – output • 4'd8: S/PDIF stream – output • 4'd9: PWM1 signal – output • 4'd10: PWM2 signal – output • 4'd11: PWM3 signal – output • 4'd12: CLK_IADC – output • 4'd13: CLK_ADC – output • 4'd14: Output 0 – output • 4'd15: Output 1 – output
[3:0]	GPIO3_CFG	Configure GPIO3 <ul style="list-style-type: none"> • 4'd0: Analog outputs off – shutdown (default) • 4'd1: Aux inputs – input • 4'd2: Aux outputs – output • 4'd3: Raw data stream – output • 4'd4: Ch1 peak flag interrupt – output • 4'd5: Ch2 peak flag interrupt – output • 4'd6: Ch3 peak flag interrupt – output • 4'd7: Ch4 peak flag interrupt – output • 4'd8: S/PDIF stream – output • 4'd9: PWM1 signal – output • 4'd10: PWM2 signal – output • 4'd11: PWM3 signal – output • 4'd12: CLK_IADC – output • 4'd13: CLK_ADC – output • 4'd14: Output 0 – output • 4'd15: Output 1 – output

ES9842 PRO Product Datasheet

Register 76: GPIO5/6 CONFIG

Bits	[7:4]	[3:0]
Default	4'd0	4'd0

Bits	Mnemonic	Description
[7:4]	GPIO6_CFG	Configure GPIO6 <ul style="list-style-type: none"> • 4'd0: Analog outputs off – shutdown (default) • 4'd1: Aux inputs – input • 4'd2: Aux outputs – output • 4'd3: Raw data stream – output • 4'd4: Ch1 peak flag interrupt – output • 4'd5: Ch2 peak flag interrupt – output • 4'd6: Ch3 peak flag interrupt – output • 4'd7: Ch4 peak flag interrupt – output • 4'd8: S/PDIF stream – output • 4'd9: PWM1 signal – output • 4'd10: PWM2 signal – output • 4'd11: PWM3 signal – output • 4'd12: CLK_IADC – output • 4'd13: CLK_ADC – output • 4'd14: Output 0 – output • 4'd15: Output 1 – output
[3:0]	GPIO5_CFG	Configure GPIO5 <ul style="list-style-type: none"> • 4'd0: Analog outputs off – shutdown (default) • 4'd1: Aux inputs – input • 4'd2: Aux outputs – output • 4'd3: Raw data stream – output • 4'd4: Ch1 peak flag interrupt – output • 4'd5: Ch2 peak flag interrupt – output • 4'd6: Ch3 peak flag interrupt – output • 4'd7: Ch4 peak flag interrupt – output • 4'd8: S/PDIF stream – output • 4'd9: PWM1 signal – output • 4'd10: PWM2 signal – output • 4'd11: PWM3 signal – output • 4'd12: CLK_IADC – output • 4'd13: CLK_ADC – output • 4'd14: Output 0 – output • 4'd15: Output 1 – output

Register 77: GPIO7/8 CONFIG

Bits	[7:4]	[3:0]
Default	4'd0	4'd0

Bits	Mnemonic	Description
[7:4]	GPIO8_CFG	Configure GPIO8 <ul style="list-style-type: none"> • 4'd0: Analog outputs off – shutdown (default) • 4'd1: Aux inputs – input • 4'd2: Aux outputs – output • 4'd3: Raw data stream – output • 4'd4: Ch1 peak flag interrupt – output • 4'd5: Ch2 peak flag interrupt – output • 4'd6: Ch3 peak flag interrupt – output • 4'd7: Ch4 peak flag interrupt – output • 4'd8: S/PDIF stream – output • 4'd9: PWM1 signal – output • 4'd10: PWM2 signal – output • 4'd11: PWM3 signal – output • 4'd12: CLK_IADC – output • 4'd13: CLK_ADC – output • 4'd14: Output 0 – output • 4'd15: Output 1 – output
[3:0]	GPIO7_CFG	Configure GPIO7 <ul style="list-style-type: none"> • 4'd0: Analog outputs off – shutdown (default) • 4'd1: Aux inputs – input • 4'd2: Aux outputs – output • 4'd3: Raw data stream – output • 4'd4: Ch1 peak flag interrupt – output • 4'd5: Ch2 peak flag interrupt – output • 4'd6: Ch3 peak flag interrupt – output • 4'd7: Ch4 peak flag interrupt – output • 4'd8: S/PDIF stream – output • 4'd9: PWM1 signal – output • 4'd10: PWM2 signal – output • 4'd11: PWM3 signal – output • 4'd12: CLK_IADC – output • 4'd13: CLK_ADC – output • 4'd14: Output 0 – output • 4'd15: Output 1 – output

ES9842 PRO Product Datasheet

Register 78: GPIO9/10 CONFIG

Bits	[7:4]	[3:0]
Default	4'd0	4'd0

Bits	Mnemonic	Description
[7:4]	GPIO10_CFG	Configure GPIO10 <ul style="list-style-type: none"> • 4'd0: Analog outputs off – shutdown (default) • 4'd1: Aux inputs – input • 4'd2: Aux outputs – output • 4'd3: Raw data stream – output • 4'd4: Ch1 peak flag interrupt – output • 4'd5: Ch2 peak flag interrupt – output • 4'd6: Ch3 peak flag interrupt – output • 4'd7: Ch4 peak flag interrupt – output • 4'd8: S/PDIF stream – output • 4'd9: PWM1 signal – output • 4'd10: PWM2 signal – output • 4'd11: PWM3 signal – output • 4'd12: CLK_IADC – output • 4'd13: CLK_ADC – output • 4'd14: Output 0 – output • 4'd15: Output 1 – output
[3:0]	GPIO9_CFG	Configure GPIO9 <ul style="list-style-type: none"> • 4'd0: Analog outputs off – shutdown (default) • 4'd1: Aux inputs – input • 4'd2: Aux outputs – output • 4'd3: Raw data stream – output • 4'd4: Ch1 peak flag interrupt – output • 4'd5: Ch2 peak flag interrupt – output • 4'd6: Ch3 peak flag interrupt – output • 4'd7: Ch4 peak flag interrupt – output • 4'd8: S/PDIF stream – output • 4'd9: PWM1 signal – output • 4'd10: PWM2 signal – output • 4'd11: PWM3 signal – output • 4'd12: CLK_IADC – output • 4'd13: CLK_ADC – output • 4'd14: Output 0 – output • 4'd15: Output 1 – output

Register 79: GPIO11 CONFIG

Bits	[7:4]	[3:0]
Default	4'd0	4'd0

Bits	Mnemonic	Description
[7:4]	RESERVED	NA
[3:0]	GPIO11_CFG	Configure GPIO11 <ul style="list-style-type: none"> • 4'd0: Analog outputs off – shutdown (default) • 4'd1: Aux inputs – input • 4'd2: Aux outputs – output • 4'd3: Raw data stream – output • 4'd4: Ch1 peak flag interrupt – output • 4'd5: Ch2 peak flag interrupt – output • 4'd6: Ch3 peak flag interrupt – output • 4'd7: Ch4 peak flag interrupt – output • 4'd8: S/PDIF stream – output • 4'd9: PWM1 signal – output • 4'd10: PWM2 signal – output • 4'd11: PWM3 signal – output • 4'd12: CLK_IADC – output • 4'd13: CLK_ADC – output • 4'd14: Output 0 – output • 4'd15: Output 1 – output

Register 81-80: RESERVED

ES9842 PRO Product Datasheet

Register 83-82: INVERT GPIO

Bits	[15:11]	[10]	[9]	[8]	[7]	[6]	[5]	[4]	[3]	[2]	[1]	[0]
Default	5'b00000	1'b0	1'b0	1'b0	1'b0	1'b0	1'b0	1'b0	1'b0	1'b0	1'b0	1'b0

Bits	Mnemonic	Description
[15:11]	RESERVED	NA
[10]	INVERT_GPIO11	<ul style="list-style-type: none"> 1'b0: Non-invert (default) 1'b1: Invert GPIO11 output
[9]	INVERT_GPIO10	<ul style="list-style-type: none"> 1'b0: Non-invert (default) 1'b1: Invert GPIO10 output
[8]	INVERT_GPIO9	<ul style="list-style-type: none"> 1'b0: Non-invert (default) 1'b1: Invert GPIO9 output
[7]	INVERT_GPIO8	<ul style="list-style-type: none"> 1'b0: Non-invert (default) 1'b1: Invert GPIO8 output
[6]	INVERT_GPIO7	<ul style="list-style-type: none"> 1'b0: Non-invert (default) 1'b1: Invert GPIO7 output
[5]	INVERT_GPIO6	<ul style="list-style-type: none"> 1'b0: Non-invert (default) 1'b1: Invert GPIO6 output
[4]	INVERT_GPIO5	<ul style="list-style-type: none"> 1'b0: Non-invert (default) 1'b1: Invert GPIO5 output
[3]	INVERT_GPIO4	<ul style="list-style-type: none"> 1'b0: Non-invert (default) 1'b1: Invert GPIO4 output
[2]	INVERT_GPIO3	<ul style="list-style-type: none"> 1'b0: Non-invert (default) 1'b1: Invert GPIO3 output
[1]	INVERT_GPIO2	<ul style="list-style-type: none"> 1'b0: Non-invert (default) 1'b1: Invert GPIO2 output
[0]	INVERT_GPIO1	<ul style="list-style-type: none"> 1'b0: Non-invert (default) 1'b1: Invert GPIO1 output

Register 85-84: GPIO WEAK ENABLE

Bits	[15:11]	[10]	[9]	[8]	[7]	[6]	[5]	[4]	[3]	[2]	[1]	[0]
Default	5'b00000	1'b0	1'b0	1'b0	1'b0	1'b0	1'b0	1'b0	1'b0	1'b0	1'b0	1'b0

Bits	Mnemonic	Description
[15:11]	RESERVED	NA
[10]	GPIO11_WK_EN	<ul style="list-style-type: none"> 1'b0: GPIO11 weak keeper disabled (default) 1'b1: GPIO11 weak keeper enabled
[9]	GPIO10_WK_EN	<ul style="list-style-type: none"> 1'b0: GPIO10 weak keeper disabled (default) 1'b1: GPIO10 weak keeper enabled
[8]	GPIO9_WK_EN	<ul style="list-style-type: none"> 1'b0: GPIO9 weak keeper disabled (default) 1'b1: GPIO9 weak keeper enabled
[7]	GPIO8_WK_EN	<ul style="list-style-type: none"> 1'b0: GPIO8 weak keeper disabled (default) 1'b1: GPIO8 weak keeper enabled
[6]	GPIO7_WK_EN	<ul style="list-style-type: none"> 1'b0: GPIO7 weak keeper disabled (default) 1'b1: GPIO7 weak keeper enabled
[5]	GPIO6_WK_EN	<ul style="list-style-type: none"> 1'b0: GPIO6 weak keeper disabled (default) 1'b1: GPIO6 weak keeper enabled
[4]	GPIO5_WK_EN	<ul style="list-style-type: none"> 1'b0: GPIO5 weak keeper disabled (default) 1'b1: GPIO5 weak keeper enabled
[3]	GPIO4_WK_EN	<ul style="list-style-type: none"> 1'b0: GPIO4 weak keeper disabled (default) 1'b1: GPIO4 weak keeper enabled
[2]	GPIO3_WK_EN	<ul style="list-style-type: none"> 1'b0: GPIO3 weak keeper disabled (default) 1'b1: GPIO3 weak keeper enabled
[1]	GPIO2_WK_EN	<ul style="list-style-type: none"> 1'b0: GPIO2 weak keeper disabled (default) 1'b1: GPIO2 weak keeper enabled
[0]	GPIO1_WK_EN	<ul style="list-style-type: none"> 1'b0: GPIO1 weak keeper disabled (default) 1'b1: GPIO1 weak keeper enabled

ES9842 PRO Product Datasheet

Register 87-86: GPIO IE

Bits	[15:11]	[10]	[9]	[8]	[7]	[6]	[5]	[4]	[3]	[2]	[1]	[0]
Default	5'b00000	1'b0	1'b0	1'b0	1'b0	1'b0	1'b0	1'b0	1'b0	1'b0	1'b0	1'b0

Bits	Mnemonic	Description
[15:11]	RESERVED	NA
[10]	GPIO11_IE	<ul style="list-style-type: none"> 1'b0: GPIO11 input disabled (default) 1'b1: GPIO11 input enabled
[9]	GPIO10_IE	<ul style="list-style-type: none"> 1'b0: GPIO10 input disabled (default) 1'b1: GPIO10 input enabled
[8]	GPIO9_IE	<ul style="list-style-type: none"> 1'b0: GPIO9 input disabled (default) 1'b1: GPIO9 input enabled
[7]	GPIO8_IE	<ul style="list-style-type: none"> 1'b0: GPIO8 input disabled (default) 1'b1: GPIO8 input enabled
[6]	GPIO7_IE	<ul style="list-style-type: none"> 1'b0: GPIO7 input disabled (default) 1'b1: GPIO7 input enabled
[5]	GPIO6_IE	<ul style="list-style-type: none"> 1'b0: GPIO6 input disabled (default) 1'b1: GPIO6 input enabled
[4]	GPIO5_IE	<ul style="list-style-type: none"> 1'b0: GPIO5 input disabled (default) 1'b1: GPIO5 input enabled
[3]	GPIO4_IE	<ul style="list-style-type: none"> 1'b0: GPIO4 input disabled (default) 1'b1: GPIO4 input enabled
[2]	GPIO3_IE	<ul style="list-style-type: none"> 1'b0: GPIO3 input disabled (default) 1'b1: GPIO3 input enabled
[1]	GPIO2_IE	<ul style="list-style-type: none"> 1'b0: GPIO2 input disabled (default) 1'b1: GPIO2 input enabled
[0]	GPIO1_IE	<ul style="list-style-type: none"> 1'b0: GPIO1 input disabled (default) 1'b1: GPIO1 input enabled

Register 89-88: GPIO OE

Bits	[15:11]	[10]	[9]	[8]	[7]	[6]	[5]	[4]	[3]	[2]	[1]	[0]
Default	5'b00000	1'b0	1'b0	1'b0	1'b0	1'b0	1'b0	1'b0	1'b0	1'b0	1'b0	1'b0

Bits	Mnemonic	Description
[15:11]	RESERVED	NA
[10]	GPIO11_OE	<ul style="list-style-type: none"> 1'b0: Tristate GPIO11 output (default) 1'b1: GPIO11 output enabled
[9]	GPIO10_OE	<ul style="list-style-type: none"> 1'b0: Tristate GPIO10 output (default) 1'b1: GPIO10 output enabled
[8]	GPIO9_OE	<ul style="list-style-type: none"> 1'b0: Tristate GPIO9 output (default) 1'b1: GPIO9 output enabled
[7]	GPIO8_OE	<ul style="list-style-type: none"> 1'b0: Tristate GPIO8 output (default) 1'b1: GPIO8 output enabled
[6]	GPIO7_OE	<ul style="list-style-type: none"> 1'b0: Tristate GPIO7 output (default) 1'b1: GPIO7 output enabled
[5]	GPIO6_OE	<ul style="list-style-type: none"> 1'b0: Tristate GPIO6 output (default) 1'b1: GPIO6 output enabled
[4]	GPIO5_OE	<ul style="list-style-type: none"> 1'b0: Tristate GPIO5 output (default) 1'b1: GPIO5 output enabled
[3]	GPIO4_OE	<ul style="list-style-type: none"> 1'b0: Tristate GPIO4 output (default) 1'b1: GPIO4 output enabled
[2]	GPIO3_OE	<ul style="list-style-type: none"> 1'b0: Tristate GPIO3 output (default) 1'b1: GPIO3 output enabled
[1]	GPIO2_OE	<ul style="list-style-type: none"> 1'b0: Tristate GPIO2 output (default) 1'b1: GPIO2 output enabled
[0]	GPIO1_OE	<ul style="list-style-type: none"> 1'b0: Tristate GPIO1 output (default) 1'b1: GPIO1 output enabled

ES9842 PRO Product Datasheet

Register 91-90: GPIO READ

Bits	[15:11]	[10]	[9]	[8]	[7]	[6]	[5]	[4]	[3]	[2]	[1]	[0]
Default	5'b00000	1'b0	1'b0	1'b0	1'b0	1'b0	1'b0	1'b0	1'b0	1'b0	1'b0	1'b0

Bits	Mnemonic	Description
[15:11]	RESERVED	NA
[10]	GPIO11_READ	<ul style="list-style-type: none"> 1'b0: GPIO11 readback disabled (default) 1'b1: Allows readback of GPIO11 input
[9]	GPIO10_READ	<ul style="list-style-type: none"> 1'b0: GPIO10 readback disabled (default) 1'b1: Allows readback of GPIO10 input
[8]	GPIO9_READ	<ul style="list-style-type: none"> 1'b0: GPIO9 readback disabled (default) 1'b1: Allows readback of GPIO9 input
[7]	GPIO8_READ	<ul style="list-style-type: none"> 1'b0: GPIO8 readback disabled (default) 1'b1: Allows readback of GPIO8 input
[6]	GPIO7_READ	<ul style="list-style-type: none"> 1'b0: GPIO7 readback disabled (default) 1'b1: Allows readback of GPIO7 input
[5]	GPIO6_READ	<ul style="list-style-type: none"> 1'b0: GPIO6 readback disabled (default) 1'b1: Allows readback of GPIO6 input
[4]	GPIO5_READ	<ul style="list-style-type: none"> 1'b0: GPIO5 readback disabled (default) 1'b1: Allows readback of GPIO5 input
[3]	GPIO4_READ	<ul style="list-style-type: none"> 1'b0: GPIO4 readback disabled (default) 1'b1: Allows readback of GPIO4 input
[2]	GPIO3_READ	<ul style="list-style-type: none"> 1'b0: GPIO3 readback disabled (default) 1'b1: Allows readback of GPIO3 input
[1]	GPIO2_READ	<ul style="list-style-type: none"> 1'b0: GPIO2 readback disabled (default) 1'b1: Allows readback of GPIO2 input
[0]	GPIO1_READ	<ul style="list-style-type: none"> 1'b0: GPIO1 readback disabled (default) 1'b1: Allows readback of GPIO1 input

Register 92: PWM1 COUNT

Bits	[7:0]
Default	8'h00

Bits	Mnemonic	Description
[7:0]	PWM1_COUNT	8-bit value to set the number of SYS_CLK periods the PWM signal is high for. <ul style="list-style-type: none"> 8'h00: Disabled (default) 8'h01: Minimum 8'hFF: Maximum

Register 94-93: PWM1 FREQUENCY

Bits	[15:0]
Default	16'h0000

Bits	Mnemonic	Description
[15:0]	PWM1_FREQ	16-bit value to set the frequency of the PWM signal in terms of SYS_CLK divisions. <ul style="list-style-type: none"> 16'h0000: Disabled (default) 16'h0001: Minimum 16'hFFFF: Maximum $frequency [Hz] = \frac{SYS_CLK}{PWM1_FREQ + 1}$ $Duty Cycle [\%] = \left(\frac{PWM1_COUNT}{PWM1_FREQ + 1} \right) \times 100$

Register 95: PWM2 COUNT

Bits	[7:0]
Default	8'h00

Bits	Mnemonic	Description
[7:0]	PWM2_COUNT	8-bit value to set the number of SYS_CLK periods the PWM signal is high for. <ul style="list-style-type: none"> 8'h00: Disabled (default) 8'h01: Minimum 8'hFF: Maximum

ES9842 PRO Product Datasheet

Register 97-96: PWM2 FREQUENCY

Bits	[15:0]
Default	16'h0000

Bits	Mnemonic	Description
[15:0]	PWM2_FREQ	<p>16-bit value to set the frequency of the PWM signal in terms of SYS_CLK divisions.</p> <ul style="list-style-type: none"> 16'h0000: Disabled (default) 16'h0001: Minimum 16'hFFFF: Maximum $frequency [Hz] = \frac{SYS_CLK}{PWM2_FREQ + 1}$ $Duty Cycle [\%] = \left(\frac{PWM2_COUNT}{PWM2_FREQ + 1} \right) \times 100$

Register 98: PWM3 COUNT

Bits	[7:0]
Default	8'h00

Bits	Mnemonic	Description
[7:0]	PWM3_COUNT	8-bit value to set the number of SYS_CLK periods the PWM signal is high for. <ul style="list-style-type: none"> 8'h00: Disabled (default) 8'h01: Minimum 8'hFF: Maximum

Register 100-99: PWM3 FREQUENCY

Bits	[15:0]
Default	16'h0000

Bits	Mnemonic	Description
[15:0]	PWM3_FREQ	16-bit value to set the frequency of the PWM signal in terms of SYS_CLK divisions. <ul style="list-style-type: none"> 16'h0000: Disabled (default) 16'h0001: Minimum 16'hFFFF: Maximum $frequency [Hz] = \frac{SYS_CLK}{PWM3_FREQ + 1}$ $Duty Cycle [\%] = \left(\frac{PWM3_COUNT}{PWM3_FREQ + 1} \right) \times 100$

ES9842 PRO Product Datasheet

ADC CH1 Registers

Register 101: ADC CH1 DATAPATH CONTROL

Bits	[7]	[6]	[5:3]	[2]	[1]	[0]
Default	1'b0	1'b0	3'b000	1'b0	1'b0	1'b0

Bits	Mnemonic	Description
[7]	ADC1_BYPASS_FIR2X	<ul style="list-style-type: none"> 1'b0: Non-bypass (default) 1'b1: Bypass DFIR_2x
[6]	ADC1_BYPASS_FIR4X	<ul style="list-style-type: none"> 1'b0: Non-bypass (default) 1'b1: Bypass DFIR_4x
[5:3]	RESERVED	NA
[2]	ADC1_ENABLE_DC_BLOCKING	Enables DC blocking path. <ul style="list-style-type: none"> 1'b0: Disabled (default) 1'b1: Enabled
[1]	RESERVED	NA
[0]	ADC1_NEG_SEL	Inverts data input from analog ADC. <ul style="list-style-type: none"> 1'b0: No inversion (default) 1'b1: Inverts input data

Register 102: ADC CH1 THD COMP CONFIG

Bits	[7:2]	[1]	[0]
Default	6'd0	1'b0	1'b0

Bits	Mnemonic	Description
[7:2]	ADC1_CORRECTION_ADDR	Selects the address when writing the THD compensation RAM.
[1]	ADC1_CORRECTION_WE	Enables writing to the THD compensation RAM. <ul style="list-style-type: none"> 1'b0: Writing disabled (default) 1'b1: Writing enabled
[0]	ADC1_ENABLE_THD_COMP	Enables the THD compensation on ADC CH1. <ul style="list-style-type: none"> 1'b0: Disabled and bypassed (default) 1'b1: Enabled

Register 104-103: ADC CH1 THD COMP DATA

Bits	[15:0]
Default	16'd0

Bits	Mnemonic	Description
[15:0]	ADC1_CORRECTION_DATA	A 16 bits THD corrected value that will be written to the address of the THD compensation RAM. Maximum -42dB (16'hFFFF).

Register 105: ADC CH1 PEAK DETECTOR CONFIG

Bits	[7]	[6:2]	[1]	[0]
Default	1'b0	5'd0	1'b0	1'b0

Bits	Mnemonic	Description
[7]	ADC1_LOCK_PEAK	Locks the stored value of the peak detector for reading back. <ul style="list-style-type: none"> 1'b0: Stored value is allowed to update (default) 1'b1: Stored value is locked
[6:2]	ADC1_DECAY_RATE	Sets the speed at which the peak detector value will decay when greater than the input signal. <ul style="list-style-type: none"> 5'd0: Instant decay 5'd1: Fastest decay 5'd10: Default value 5'd22: Slowest decay Others: Reserved
[1]	RESERVED	NA
[0]	ADC1_ENABLE_PEAK_DETECT	Enables the ADC signal peak detector. <ul style="list-style-type: none"> 1'b0: Disabled (default) 1'b1: Enabled

ES9842 PRO Product Datasheet

Register 106: ADC CH1 PEAK DETECTOR LEVEL

Bits	[7:0]
Default	8'hFF

Bits	Mnemonic	Description
[7:0]	ADC1_PEAK_THRESH	<p>Threshold value to trigger the PEAK_FLAG in the CH1 peak detector. Triggers if the input signal > ADC1_PEAK_THRESH.</p> <ul style="list-style-type: none"> 8'h01: -48dB 8'hFF: 0dB (default) $threshold [dB] = 20 * \log_{10} \left(\frac{ADC1_PEAK_THRESH}{2^8 - 1} \right)$

Register 108-107: ADC CH1 DC OFFSET

Bits	[15:0]
Default	16'd0

Bits	Mnemonic	Description
[15:0]	ADC1_DC_OFFSET	<p>Signed ADC CH2 DC offset coefficient. Positive offset is valid from 16'h7FFF (-30dB) to 16'h0001 (-120dB). Negative offset is valid from 16'h8000 (-30dB) to 16'hFFFF (-120dB). 16'h0000 corresponds to zero offset.</p> $offset [dB] = 20 * \log_{10} \left(\frac{ADC1_DC_OFFSET}{(2^{15} - 1) * 2^5} \right)$

Register 110-109: ADC CH1 VOLUME

Bits	[15:0]
Default	16'h7FFF

Bits	Mnemonic	Description
[15:0]	ADC1_VOLUME	<p>Signed value for the next desired ADC CH1 volume coefficient.</p> <ul style="list-style-type: none"> 16'h0001: -90dB 16'h7FFF: 0dB (default) 16'h0000: Mute $volume [dB] = 20 * \log_{10} \left(\frac{ADC1_VOLUME}{2^{15} - 1} \right)$

Register 111: ADC CH1 VOLUME RATE

Bits	[7:0]
Default	8'h00

Bits	Mnemonic	Description
[7:0]	ADC1_VOLUME_RATE	Value by which the old coefficient value is incremented/decremented to reach the new coefficient. <ul style="list-style-type: none">• 8'h00: Instant change (default)• 8'h01: Slowest change• 8'hFF: Fastest change

ES9842 PRO Product Datasheet

Register 112: ADC CH1 SCALE

Bits	[7:2]	[1:0]
Default	6'd36	2'd0

Bits	Mnemonic	Description
[7:2]	RESERVED	NA
[1:0]	ADC1_DATA_SCALE	ADC data scale. <ul style="list-style-type: none"> • 2'd0: +0dB • 2'd1: +6dB • 2'd2: +12dB • 2'd3: +18dB

Register 113: ADC CH1 PROG FILTER

Bits	[7:5]	[4:2]	[1]	[0]
Default	3'd4	3'd0	1'b0	1'b0

Bits	Mnemonic	Description
[7:5]	RESERVED	NA
[4:2]	ADC1_FILTER_SHAPE	Selects the 8x decimation FIR filter shape. <ul style="list-style-type: none"> • 3'd0: Minimum phase (default) • 3'd1: Linear phase apodizing fast roll-off • 3'd2: Linear phase fast roll-off • 3'd3: Linear phase fast roll-off low ripple • 3'd4: Linear phase slow roll-off • 3'd5: Minimum phase fast roll-off • 3'd6: Minimum phase slow roll-off • 3'd7: Minimum phase slow roll-off low dispersion
[1]	ADC1_PROG_COEFF_WRITE_EN	Enables writing to the programmable coefficient RAM. <ul style="list-style-type: none"> • 1'b0: Disables write signal to the coefficient RAM (default) • 1'b1: Enables write signal to the coefficient RAM.
[0]	ADC1_PROG_COEFF_EN	Enables the custom decimation filter coefficients. <ul style="list-style-type: none"> • 1'b0: Uses a built-in filter selected by FILTER_SHAPE (default) • 1'b1: Uses the coefficients programmed via ADC1_PROG_COEFF_IN

Register 114: ADC CH1 PROG FILTER COEFF ADDR

Bits	[7]	[6:0]
Default	1'b0	7'd0

Bits	Mnemonic	Description
[7]	ADC1_PROG_COEFF_STAGE	Selects which stage of the filter to write. <ul style="list-style-type: none"> 1'b0: Selects stage 1 of the decimation filter DFIR_4x (default) 1'b1: Selects stage 2 of the decimation filter DFIR_2x
[6:0]	ADC1_PROG_COEFF_ADDR	Selects the coefficient address when writing custom coefficients for the decimation filter.

Register 117-115: ADC CH1 PROG FILTER COEFF

Bits	[23:0]
Default	24'd0

Bits	Mnemonic	Description
[23:0]	ADC1_PROG_COEFF_IN	A 24-bit signed filter coefficient that will be written to the address in ADC1_PROG_COEFF_ADDR.

ES9842 PRO Product Datasheet

ADC CH2 Registers

Register 118: ADC CH2 DATAPATH CONTROL

Bits	[7]	[6]	[5:3]	[2]	[1]	[0]
Default	1'b0	1'b0	3'b000	1'b0	1'b0	1'b0

Bits	Mnemonic	Description
[7]	ADC2_BYPASS_FIR2X	<ul style="list-style-type: none"> 1'b0: Non-bypass (default) 1'b1: Bypass DFIR_2x
[6]	ADC2_BYPASS_FIR4X	<ul style="list-style-type: none"> 1'b0: Non-bypass (default) 1'b1: Bypass DFIR_4x
[5:3]	RESERVED	NA
[2]	ADC2_ENABLE_DC_BLOCKING	Enables DC blocking path. <ul style="list-style-type: none"> 1'b0: Disabled (default) 1'b1: Enabled
[1]	RESERVED	NA
[0]	ADC2_NEG_SEL	Inverts data input from analog ADC. <ul style="list-style-type: none"> 1'b0: No inversion (default) 1'b1: Inverts input data

Register 119: ADC CH2 THD COMP CONFIG

Bits	[7:2]	[1]	[0]
Default	6'd0	1'b0	1'b0

Bits	Mnemonic	Description
[7:2]	ADC2_CORRECTION_ADDR	Selects the address when writing the THD compensation RAM.
[1]	ADC2_CORRECTION_WE	Enables writing to the THD compensation RAM. <ul style="list-style-type: none"> 1'b0: Writing disabled (default) 1'b1: Writing enabled
[0]	ADC2_ENABLE_THD_COMP	Enables the THD compensation on ADC CH2. <ul style="list-style-type: none"> 1'b0: Disabled and bypassed (default) 1'b1: Enabled

Register 121-120: ADC CH2 THD COMP DATA

Bits	[15:0]
Default	16'd0

Bits	Mnemonic	Description
[15:0]	ADC2_CORRECTION_DATA	A 16 bits THD corrected value that will be written to the address of the THD compensation RAM. Maximum -42dB (16'hFFFF).

Register 122: ADC CH2 PEAK DETECTOR CONFIG

Bits	[7]	[6:2]	[1]	[0]
Default	1'b0	5'd0	1'b0	1'b0

Bits	Mnemonic	Description
[7]	ADC2_LOCK_PEAK	Locks the stored value of the peak detector for reading back. <ul style="list-style-type: none"> 1'b0: Stored value is allowed to update (default) 1'b1: Stored value is locked
[6:2]	ADC2_DECAY_RATE	Sets the speed at which the peak detector value will decay when greater than the input signal. <ul style="list-style-type: none"> 5'd0: Instant decay 5'd1: Fastest decay 5'd10: Default value 5'd22: Slowest decay Others: Reserved
[1]	RESERVED	NA
[0]	ADC2_ENABLE_PEAK_DETECT	Enables the ADC signal peak detector. <ul style="list-style-type: none"> 1'b0: Disabled (default) 1'b1: Enabled

ES9842 PRO Product Datasheet

Register 123: ADC CH2 PEAK DETECTOR THRESHOLD

Bits	[7:0]
Default	8'hFF

Bits	Mnemonic	Description
[7:0]	ADC2_PEAK_THRESH	<p>Threshold value to trigger the PEAK_FLAG in the CH2 peak detector. Triggers if the input signal > ADC2_PEAK_THRESH.</p> <ul style="list-style-type: none"> 8'h01: -48dB 8'hFF: 0dB (default) $threshold [dB] = 20 * \log_{10} \left(\frac{ADC2_PEAK_THRESH}{2^8 - 1} \right)$

Register 125-124: ADC CH2 DC OFFSET

Bits	[15:0]
Default	16'd0

Bits	Mnemonic	Description
[15:0]	ADC2_DC_OFFSET	<p>Signed ADC CH2 DC offset coefficient. Positive offset is valid from 16'h7FFF (-30dB) to 16'h0001 (-120dB). Negative offset is valid from 16'h8000 (-30dB) to 16'hFFFF (-120dB). 16'h0000 corresponds to zero offset.</p> $offset [dB] = 20 * \log_{10} \left(\frac{ADC2_DC_OFFSET}{(2^{15} - 1) * 2^5} \right)$

Register 127-126: ADC CH2 VOLUME

Bits	[15:0]
Default	16'h7FFF

Bits	Mnemonic	Description
[15:0]	ADC2_VOLUME	<p>Signed value for the next desired ADC CH2 volume coefficient.</p> <ul style="list-style-type: none"> 16'h0001: -90dB 16'h7FFF: 0dB (default) 16'h0000: Mute $volume [dB] = 20 * \log_{10} \left(\frac{ADC2_VOLUME}{2^{15} - 1} \right)$

Register 128: ADC CH2 VOLUME RATE

Bits	[7:0]
Default	8'h00

Bits	Mnemonic	Description
[7:0]	ADC2_VOLUME_RATE	Value by which the old coefficient value is incremented/decremented to reach the new coefficient. <ul style="list-style-type: none">• 8'h00: Instant change (default)• 8'h01: Slowest change• 8'hFF: Fastest change

ES9842 PRO Product Datasheet

Register 129: ADC CH2 SCALE

Bits	[7:2]	[1:0]
Default	6'd36	2'd0

Bits	Mnemonic	Description
[7:2]	RESERVED	NA
[1:0]	ADC2_DATA_SCALE	ADC data scale. <ul style="list-style-type: none"> • 2'd0: +0dB • 2'd1: +6dB • 2'd2: +12dB • 2'd3: +18dB

Register 130: ADC CH2 PROG FILTER

Bits	[7:5]	[4:2]	[1]	[0]
Default	3'd4	3'd0	1'b0	1'b0

Bits	Mnemonic	Description
[7:5]	RESERVED	NA
[4:2]	ADC2_FILTER_SHAPE	Selects the 8x decimation FIR filter shape. <ul style="list-style-type: none"> • 3'd0: Minimum phase (default) • 3'd1: Linear phase apodizing fast roll-off • 3'd2: Linear phase fast roll-off • 3'd3: Linear phase fast roll-off low ripple • 3'd4: Linear phase slow roll-off • 3'd5: Minimum phase fast roll-off • 3'd6: Minimum phase slow roll-off • 3'd7: Minimum phase slow roll-off low dispersion
[1]	ADC2_PROG_COEFF_WRITE_EN	Enables writing to the programmable coefficient RAM. <ul style="list-style-type: none"> • 1'b0: Disables write signal to the coefficient RAM (default) • 1'b1: Enables write signal to the coefficient RAM.
[0]	ADC2_PROG_COEFF_EN	Enables the custom decimation filter coefficients. <ul style="list-style-type: none"> • 1'b0: Uses a built-in filter selected by FILTER_SHAPE (default) • 1'b1: Uses the coefficients programmed via ADC2_PROG_COEFF_IN

Register 131: ADC CH2 PROG FILTER COEFF ADDR

Bits	[7]	[6:0]
Default	1'b0	7'd0

Bits	Mnemonic	Description
[7]	ADC2_PROG_COEFF_STAGE	Selects which stage of the filter to write. <ul style="list-style-type: none"> • 1'b0: Selects stage 1 of the decimation filter DFIR_4x (default) • 1'b1: Selects stage 2 of the decimation filter DFIR_2x
[6:0]	ADC2_PROG_COEFF_ADDR	Selects the coefficient address when writing custom coefficients for the decimation filter.

Register 134-132: ADC CH2 PROG FILTER COEFF

Bits	[23:0]
Default	24'd0

Bits	Mnemonic	Description
[23:0]	ADC2_PROG_COEFF_IN	A 24-bit signed filter coefficient that will be written to the address in ADC2_PROG_COEFF_ADDR.

ES9842 PRO Product Datasheet

ADC CH3 Registers

Register 135: ADC CH3 DATAPATH CONTROL

Bits	[7]	[6]	[5:3]	[2]	[1]	[0]
Default	1'b0	1'b0	3'b000	1'b0	1'b0	1'b0

Bits	Mnemonic	Description
[7]	ADC3_BYPASS_FIR2X	<ul style="list-style-type: none"> 1'b0: Non-bypass (default) 1'b1: Bypass DFIR_2x
[6]	ADC3_BYPASS_FIR4X	<ul style="list-style-type: none"> 1'b0: Non-bypass (default) 1'b1: Bypass DFIR_4x
[5:3]	RESERVED	NA
[2]	ADC3_ENABLE_DC_BLOCKING	Enables DC blocking path. <ul style="list-style-type: none"> 1'b0: Disabled (default) 1'b1: Enabled
[1]	RESERVED	NA
[0]	ADC3_NEG_SEL	Inverts data input from analog ADC. <ul style="list-style-type: none"> 1'b0: No inversion (default) 1'b1: Inverts input data

Register 136: ADC CH3 THD COMP CONFIG

Bits	[7:2]	[1]	[0]
Default	6'd0	1'b0	1'b0

Bits	Mnemonic	Description
[7:2]	ADC3_CORRECTION_ADDR	Selects the address when writing the THD compensation RAM.
[1]	ADC3_CORRECTION_WE	Enables writing to the THD compensation RAM. <ul style="list-style-type: none"> 1'b0: Writing disabled (default) 1'b1: Writing enabled
[0]	ADC3_ENABLE_THD_COMP	Enables the THD compensation on ADC CH3. <ul style="list-style-type: none"> 1'b0: Disabled and bypassed (default) 1'b1: Enabled

Register 138-137: ADC CH3 THD COMP DATA

Bits	[15:0]
Default	16'd0

Bits	Mnemonic	Description
[15:0]	ADC3_CORRECTION_DATA	A 16 bits THD corrected value that will be written to the address of the THD compensation RAM. Maximum -42dB (16'hFFFF).

Register 139: ADC CH3 PEAK DETECTOR CONFIG

Bits	[7]	[6:2]	[1]	[0]
Default	1'b0	5'd0	1'b0	1'b0

Bits	Mnemonic	Description
[7]	ADC3_LOCK_PEAK	Locks the stored value of the peak detector for reading back. <ul style="list-style-type: none"> 1'b0: Stored value is allowed to update (default) 1'b1: Stored value is locked
[6:2]	ADC3_DECAY_RATE	Sets the speed at which the peak detector value will decay when greater than the input signal. <ul style="list-style-type: none"> 5'd0: Instant decay 5'd1: Fastest decay 5'd10: Default value 5'd22: Slowest decay Others: Reserved
[1]	RESERVED	NA
[0]	ADC3_ENABLE_PEAK_DETECT	Enables the ADC signal peak detector. <ul style="list-style-type: none"> 1'b0: Disabled (default) 1'b1: Enabled

ES9842 PRO Product Datasheet

Register 140: ADC CH3 PEAK DETECTOR THRESHOLD

Bits	[7:0]
Default	8'hFF

Bits	Mnemonic	Description
[7:0]	ADC3_PEAK_THRESH	<p>Threshold value to trigger the PEAK_FLAG in the CH3 peak detector. Triggers if the input signal > ADC3_PEAK_THRESH.</p> <ul style="list-style-type: none"> 8'h01: -48dB 8'hFF: 0dB (default) $threshold [dB] = 20 * \log_{10} \left(\frac{ADC3_PEAK_THRESH}{2^8 - 1} \right)$

Register 142-141: ADC CH3 DC OFFSET

Bits	[15:0]
Default	16'h0000

Bits	Mnemonic	Description
[15:0]	ADC3_DC_OFFSET	<p>Signed ADC CH3 DC offset coefficient. Positive offset is valid from 16'h7FFF (-30dB) to 16'h0001 (-120dB). Negative offset is valid from 16'h8000 (-30dB) to 16'hFFFF (-120dB). 16'h0000 corresponds to zero offset.</p> $offset [dB] = 20 * \log_{10} \left(\frac{ADC3_DC_OFFSET}{(2^{15} - 1) * 2^5} \right)$

Register 144-143: ADC CH3 VOLUME

Bits	[15:0]
Default	16'h7FFF

Bits	Mnemonic	Description
[15:0]	ADC3_VOLUME	<p>Signed value for the next desired ADC CH3 volume coefficient.</p> <ul style="list-style-type: none"> 16'h0001: -90dB 16'h7FFF: 0dB (default) 16'h0000: Mute $volume [dB] = 20 * \log_{10} \left(\frac{ADC3_VOLUME}{2^{15} - 1} \right)$

Register 145: ADC CH3 VOLUME RATE

Bits	[7:0]
Default	8'h00

Bits	Mnemonic	Description
[7:0]	ADC3_VOLUME_RATE	Value by which the old coefficient value is incremented/decremented to reach the new coefficient. <ul style="list-style-type: none">• 8'h00: Instant change (default)• 8'h01: Slowest change• 8'hFF: Fastest change

ES9842 PRO Product Datasheet

Register 146: ADC CH3 SCALE

Bits	[7:2]	[1:0]
Default	6'd36	2'd0

Bits	Mnemonic	Description
[7:2]	RESERVED	NA
[1:0]	ADC3_DATA_SCALE	ADC data scale. <ul style="list-style-type: none"> • 2'd0: +0dB • 2'd1: +6dB • 2'd2: +12dB • 2'd3: +18dB

Register 147: ADC CH3 PROG FILTER

Bits	[7:5]	[4:2]	[1]	[0]
Default	3'd4	3'd0	1'b0	1'b0

Bits	Mnemonic	Description
[7:5]	RESERVED	NA
[4:2]	ADC3_FILTER_SHAPE	Selects the 8x decimation FIR filter shape. <ul style="list-style-type: none"> • 3'd0: Minimum phase (default) • 3'd1: Linear phase apodizing fast roll-off • 3'd2: Linear phase fast roll-off • 3'd3: Linear phase fast roll-off low ripple • 3'd4: Linear phase slow roll-off • 3'd5: Minimum phase fast roll-off • 3'd6: Minimum phase slow roll-off • 3'd7: Minimum phase slow roll-off low dispersion
[1]	ADC3_PROG_COEFF_WRITE_EN	Enables writing to the programmable coefficient RAM. <ul style="list-style-type: none"> • 1'b0: Disables write signal to the coefficient RAM (default) • 1'b1: Enables write signal to the coefficient RAM.
[0]	ADC3_PROG_COEFF_EN	Enables the custom decimation filter coefficients. <ul style="list-style-type: none"> • 1'b0: Uses a built-in filter selected by FILTER_SHAPE (default) • 1'b1: Uses the coefficients programmed via ADC3_PROG_COEFF_IN

Register 148: ADC CH3 PROG FILTER COEFF ADDR

Bits	[7]	[6:0]
Default	1'b0	7'd0

Bits	Mnemonic	Description
[7]	ADC3_PROG_COEFF_STAGE	Selects which stage of the filter to write. <ul style="list-style-type: none"> 1'b0: Selects stage 1 of the decimation filter DFIR_4x (default) 1'b1: Selects stage 2 of the decimation filter DFIR_2x
[6:0]	ADC3_PROG_COEFF_ADDR	Selects the coefficient address when writing custom coefficients for the decimation filter.

Register 151-149: ADC CH3 PROG FILTER COEFF

Bits	[23:0]
Default	24'd0

Bits	Mnemonic	Description
[23:0]	ADC3_PROG_COEFF_IN	A 24-bit signed filter coefficient that will be written to the address in ADC3_PROG_COEFF_ADDR.

ES9842 PRO Product Datasheet

ADC CH4 Registers

Register 152: ADC CH4 DATAPATH CONTROL

Bits	[7]	[6]	[5:3]	[2]	[1]	[0]
Default	1'b0	1'b0	3'b000	1'b0	1'b0	1'b0

Bits	Mnemonic	Description
[7]	ADC4_BYPASS_FIR2X	<ul style="list-style-type: none"> 1'b0: Non-bypass (default) 1'b1: Bypass DFIR_2x
[6]	ADC4_BYPASS_FIR4X	<ul style="list-style-type: none"> 1'b0: Non-bypass (default) 1'b1: Bypass DFIR_4x
[5:3]	RESERVED	NA
[2]	ADC4_ENABLE_DC_BLOCKING	Enables DC blocking path. <ul style="list-style-type: none"> 1'b0: Disabled (default) 1'b1: Enabled
[1]	RESERVED	NA
[0]	ADC4_NEG_SEL	Inverts data input from analog ADC. <ul style="list-style-type: none"> 1'b0: No inversion (default) 1'b1: Inverts input data

Register 153: ADC CH4 THD COMP CONFIG

Bits	[7:2]	[1]	[0]
Default	6'd0	1'b0	1'b0

Bits	Mnemonic	Description
[7:2]	ADC4_CORRECTION_ADDR	Selects the address when writing the THD compensation RAM.
[1]	ADC4_CORRECTION_WE	Enables writing to the THD compensation RAM. <ul style="list-style-type: none"> 1'b0: Writing disabled (default) 1'b1: Writing enabled
[0]	ADC4_ENABLE_THD_COMP	Enables the THD compensation on ADC CH4. <ul style="list-style-type: none"> 1'b0: Disabled and bypassed (default) 1'b1: Enabled

Register 155-154: ADC CH4 THD COMP DATA

Bits	[15:0]
Default	16'd0

Bits	Mnemonic	Description
[15:0]	ADC4_CORRECTION_DATA	A 16 bits THD corrected value that will be written to the address of the THD compensation RAM. Maximum -42dB (16'hFFFF).

Register 156: ADC CH4 PEAK DETECTOR CONFIG

Bits	[7]	[6:2]	[1]	[0]
Default	1'b0	5'd0	1'b0	1'b0

Bits	Mnemonic	Description
[7]	ADC4_LOCK_PEAK	Locks the stored value of the peak detector for reading back. <ul style="list-style-type: none"> 1'b0: Stored value is allowed to update (default) 1'b1: Stored value is locked
[6:2]	ADC4_DECAY_RATE	Sets the speed at which the peak detector value will decay when greater than the input signal. <ul style="list-style-type: none"> 5'd0: Instant decay 5'd1: Fastest decay 5'd10: Default value 5'd22: Slowest decay Others: Reserved
[1]	RESERVED	NA
[0]	ADC4_ENABLE_PEAK_DETECT	Enables the ADC CH4 signal peak detector. <ul style="list-style-type: none"> 1'b0: Disabled (default) 1'b1: Enabled

ES9842 PRO Product Datasheet

Register 157: ADC CH4 PEAK DETECTOR THRESHOLD

Bits	[7:0]
Default	8'hFF

Bits	Mnemonic	Description
[7:0]	ADC4_PEAK_THRESH	<p>Threshold value to trigger the PEAK_FLAG in the CH4 peak detector. Triggers if the input signal > ADC4_PEAK_THRESH.</p> <ul style="list-style-type: none"> 8'h01: -48dB 8'hFF: 0dB (default) $threshold [dB] = 20 * \log_{10} \left(\frac{ADC4_PEAK_THRESH}{2^8 - 1} \right)$

Register 159-158: ADC CH4 DC OFFSET

Bits	[15:0]
Default	16'h0000

Bits	Mnemonic	Description
[15:0]	ADC4_DC_OFFSET	<p>Signed ADC CH4 DC offset coefficient. Positive offset is valid from 16'h7FFF (-30dB) to 16'h0001 (-120dB). Negative offset is valid from 16'h8000 (-30dB) to 16'hFFFF (-120dB). 16'h0000 corresponds to zero offset.</p> $offset [dB] = 20 * \log_{10} \left(\frac{ADC4_DC_OFFSET}{(2^{15} - 1) * 2^5} \right)$

Register 161-160: ADC CH4 VOLUME

Bits	[15:0]
Default	16'h7FFF

Bits	Mnemonic	Description
[15:0]	ADC4_VOLUME	<p>Signed value for the next desired ADC CH4 volume coefficient.</p> <ul style="list-style-type: none"> 16'h0001: -90dB 16'h7FFF: 0dB (default) 16'h0000: Mute $volume [dB] = 20 * \log_{10} \left(\frac{ADC4_VOLUME}{2^{15} - 1} \right)$

Register 162: ADC CH4 VOLUME RATE

Bits	[7:0]
Default	8'd0

Bits	Mnemonic	Description
[7:0]	ADC4_VOLUME_RATE	Value by which the old coefficient value is incremented/decremented to reach the new coefficient. <ul style="list-style-type: none">• 8'h00: Instant change (default)• 8'h01: Slowest change• 8'hFF: Fastest change

ES9842 PRO Product Datasheet

Register 163: ADC CH4 SCALE

Bits	[7:2]	[1:0]
Default	6'd36	2'd0

Bits	Mnemonic	Description
[7:2]	RESERVED	NA
[1:0]	ADC4_DATA_SCALE	ADC data scale. <ul style="list-style-type: none"> • 2'd0: +0dB • 2'd1: +6dB • 2'd2: +12dB • 2'd3: +18dB

Register 164: ADC CH4 PROG FILTER

Bits	[7:5]	[4:2]	[1]	[0]
Default	3'd4	3'd0	1'b0	1'b0

Bits	Mnemonic	Description
[7:5]	RESERVED	NA
[4:2]	ADC4_FILTER_SHAPE	Selects the 8x decimation FIR filter shape. <ul style="list-style-type: none"> • 3'd0: Minimum phase (default) • 3'd1: Linear phase apodizing fast roll-off • 3'd2: Linear phase fast roll-off • 3'd3: Linear phase fast roll-off low ripple • 3'd4: Linear phase slow roll-off • 3'd5: Minimum phase fast roll-off • 3'd6: Minimum phase slow roll-off • 3'd7: Minimum phase slow roll-off low dispersion
[1]	ADC4_PROG_COEFF_WRITE_EN	Enables writing to the programmable coefficient RAM. <ul style="list-style-type: none"> • 1'b0: Disables write signal to the coefficient RAM (default) • 1'b1: Enables write signal to the coefficient RAM.
[0]	ADC4_PROG_COEFF_EN	Enables the custom decimation filter coefficients. <ul style="list-style-type: none"> • 1'b0: Uses a built-in filter selected by FILTER_SHAPE (default) • 1'b1: Uses the coefficients programmed via ADC4_PROG_COEFF_IN

Register 165: ADC CH4 PROG FILTER COEFF ADDR

Bits	[7]	[6:0]
Default	1'b0	7'd0

Bits	Mnemonic	Description
[7]	ADC4_PROG_COEFF_STAGE	Selects which stage of the filter to write. <ul style="list-style-type: none"> • 1'b0: Selects stage 1 of the decimation filter DFIR_4x (default) • 1'b1: Selects stage 2 of the decimation filter DFIR_2x
[6:0]	ADC4_PROG_COEFF_ADDR	Selects the coefficient address when writing custom coefficients for the decimation filter.

Register 168-166: ADC CH4 PROG FILTER COEFF

Bits	[23:0]
Default	24'd0

Bits	Mnemonic	Description
[23:0]	ADC4_PROG_COEFF_IN	A 24-bit signed filter coefficient that will be written to the address in ADC4_PROG_COEFF_ADDR.

ES9842 PRO Product Datasheet

Synchronous Slave Interface Registers

Register 192: SOFT RESET

Bits	[7]	[6:0]
Default	1'b0	7'd0

Bits	Mnemonic	Description
[7]	AO_SOFT_RESET	Performs soft reset to digital core except for the synchronous registers.
[6:0]	RESERVED	NA

Register 193: CLK SELECT

Bits	[7:3]	[2:1]	[0]
Default	5'd0	2'd0	1'b0

Bits	Mnemonic	Description
[7:3]	RESERVED	NA
[2:1]	SEL_SYSCLK_IN	Selects digital core and ADC clock source when EN_ANA_CLKIN is set. <ul style="list-style-type: none"> • 2'd0: XTAL (default) • 2'd1: MCLK • 2'd2: ACLK • 2'd3: Reserved
[0]	EN_ANA_CLKIN	Enables clock outputs to the digital core and ADC. <ul style="list-style-type: none"> • 1'b0: Disabled (default) • 1'b1: Enabled

Register 194: ADC CLOCK DIVIDE

Bits	[7:2]	[1:0]
Default	6'd0	2'd0

Bits	Mnemonic	Description
[7:2]	RESERVED	NA
[1:0]	SEL_CLK_DIV	Sets ADC clock rate: <ul style="list-style-type: none"> • 2'd0: Full rate (default) • 2'd1: 1/2 rate • 2'd2: 1/4 rate • 2'd3: 1/8 rate

Register 203-195: RESERVED
Readback Registers
Register 224: READ SYSTEM REGISTER 0

Bits	[7:4]	[3]	[2]	[1]	[0]
Default	-	-	-	-	-

Bits	Mnemonic	Description
[7:4]	RESERVED	NA
[3]	MODE	Readback MODE pin.
[2]	ADDR2	Readback ADDR2 pin.
[1]	ADDR1	Readback ADDR1 pin.
[0]	RESERVED	NA

Register 225: CHIP ID

Bits	[7:0]
Default	-

Bits	Mnemonic	Description
[7:0]	CHIP_ID	Chip ID

ES9842 PRO Product Datasheet

Register 228-226: RESERVED

Register 229: PEAK FLAG

Bits	[7:4]	[3]	[2]	[1]	[0]
Default	-	-	-	-	-

Bits	Mnemonic	Description
[7:4]	RESERVED	NA
[3]	PEAK_FLAG_CH4	ADC CH4 peak detector flag
[2]	PEAK_FLAG_CH3	ADC CH3 peak detector flag
[1]	PEAK_FLAG_CH2	ADC CH2 peak detector flag
[0]	PEAK_FLAG_CH1	ADC CH1 peak detector flag

Register 230: RESERVED

Register 231: READ SYSTEM REGISTER 5

Bits	[7]	[6]	[5]	[4]	[3:0]
Default	-	-	-	-	-

Bits	Mnemonic	Description
[7]	ASP2_INIT_DONE	ASP2 initialize is done
[6]	ASP1_INIT_DONE	ASP1 initialize is done
[5]	RESERVED	NA
[4]	TDM_VALID	TDM valid flag
[3:0]	RESERVED	NA

Register 233-232: GPIO READBACK REGISTERS

Bits	[15:11]	[10]	[9]	[8]	[7]	[6]	[5]	[4]	[3]	[2]	[1]	[0]
Default	-	-	-	-	-	-	-	-	-	-	-	-

Bits	Mnemonic	Description
[15:11]	RESERVED	NA
[10]	GPIO11_READBACK	GPIO 11 Readback
[9]	GPIO10_READBACK	GPIO 10 Readback
[8]	GPIO9_READBACK	GPIO 9 Readback
[7]	GPIO8_READBACK	GPIO 8 Readback
[6]	GPIO7_READBACK	GPIO 7 Readback
[5]	GPIO6_READBACK	GPIO 6 Readback
[4]	GPIO5_READBACK	GPIO 5 Readback
[3]	GPIO4_READBACK	GPIO 4 Readback
[2]	GPIO3_READBACK	GPIO 3 Readback
[1]	GPIO2_READBACK	GPIO 2 Readback
[0]	GPIO1_READBACK	GPIO 1 Readback

ES9842 PRO Product Datasheet**Register 236-234: ADC CH1 PROG COEFF OUT**

Bits	[23:0]
Default	-

Bits	Mnemonic	Description
[23:0]	ADC1_PROG_COEFF_OUT	Programmable FIR coefficient readback.

Register 238-237: ADC CH1 PEAK

Bits	[15:0]
Default	-

Bits	Mnemonic	Description
[15:0]	ADC1_PEAK	Detected peak value readback

Register 241-239: ADC CH2 PROG COEFF OUT

Bits	[23:0]
Default	-

Bits	Mnemonic	Description
[23:0]	ADC2_PROG_COEFF_OUT	Programmable FIR coefficient readback.

Register 243-242: ADC CH2 PEAK

Bits	[15:0]
Default	-

Bits	Mnemonic	Description
[15:0]	ADC2_PEAK	Detected peak value readback

Register 246-244: ADC CH3 PROG COEFF OUT

Bits	[23:0]
Default	-

Bits	Mnemonic	Description
[23:0]	ADC3_PROG_COEFF_OUT	Programmable FIR coefficient readback.

ES9842 PRO Product Datasheet

Register 248-247: ADC CH3 PEAK

Bits	[15:0]
Default	-

Bits	Mnemonic	Description
[15:0]	ADC3_PEAK	Detected peak value readback

Register 251-249: ADC CH4 PROG COEFF OUT

Bits	[23:0]
Default	-

Bits	Mnemonic	Description
[23:0]	ADC4_PROG_COEFF_OUT	Programmable FIR coefficient readback.

Register 253-252: ADC CH4 PEAK

Bits	[15:0]
Default	-

Bits	Mnemonic	Description
[15:0]	ADC4_PEAK	Detected peak value readback

ES9842 PRO Reference Schematic⁸

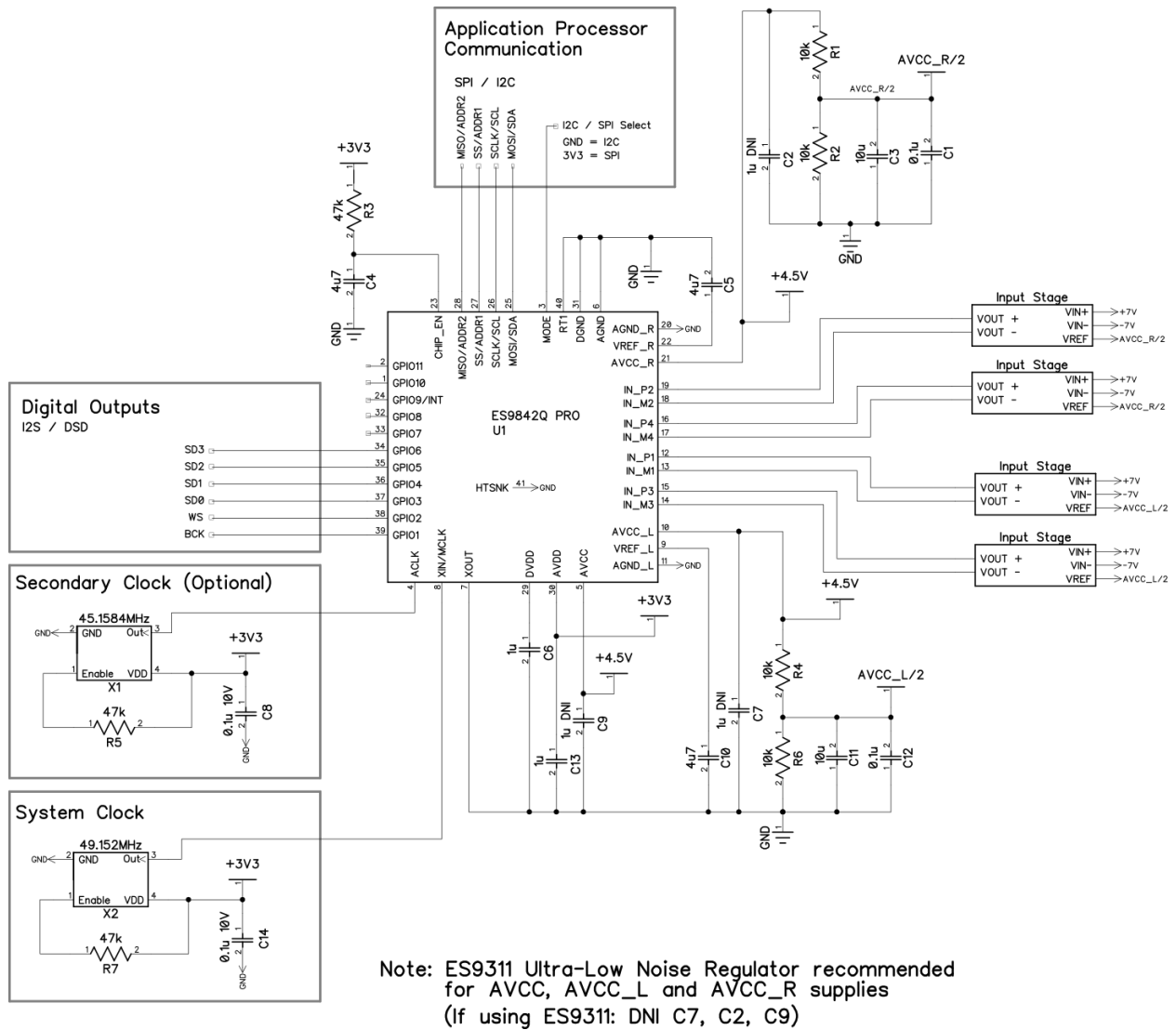
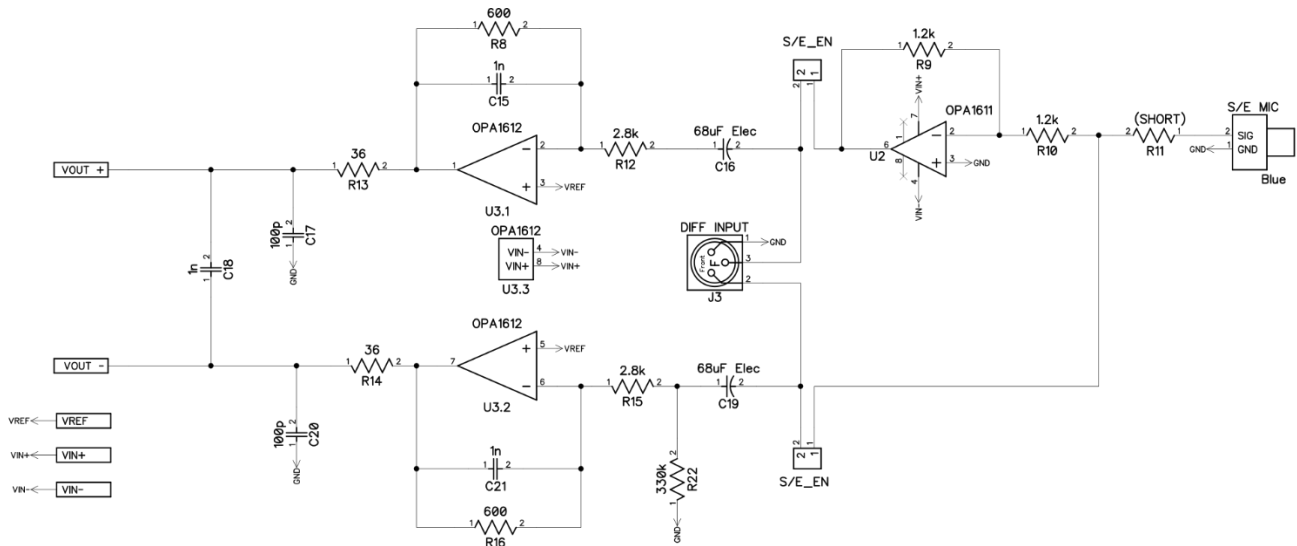


Figure 17 - ES9842PRO Reference Schematic
Schematic subject to change

⁸ Pin 41 QFN Package Pad (HTSNK) should be connected to DGND



Note: All resistors are thin-film and all caps are COG/NPO unless otherwise specified

Figure 18 - Reference Schematic ADC Input Stage for Single Ended (S/E) and Differential Input

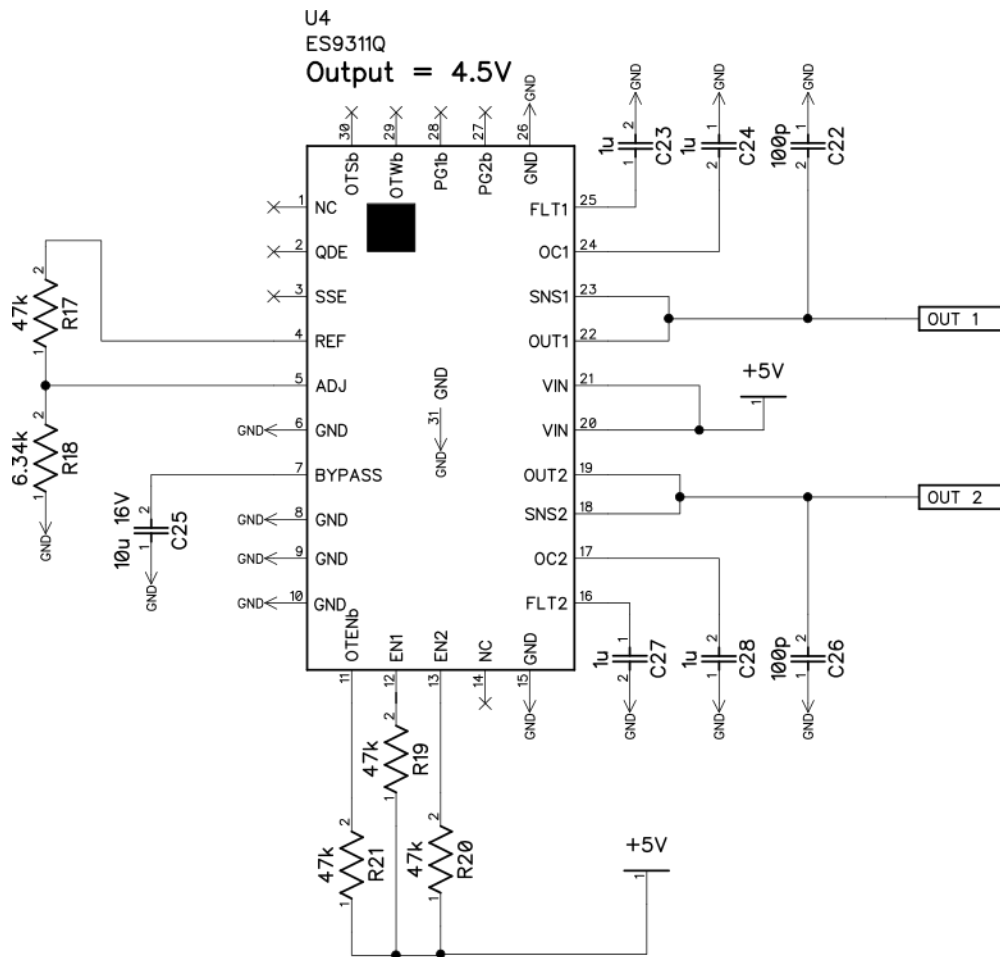


Figure 19 - ES9311Q Reference Voltage Regulator Schematic

Internal Pad Circuitry

Pin	Type	Pin Name	Equivalent Circuit
AVCC AVCC_L AVCC_R DVDD AVDD	Power (Positive)	5 10 21 29 30	
AGND AGND_L AGND_R DGND	Ground	6 11 20 31	
CHIP_EN	Reset	23	
GPIO10 GPIO11 MODE ACLK GPIO9/INT MOSI/SDA SCLK/SCL SS/ADDR1 MISO/ADDR2 GPIO8 GPIO7	Digital I/O	1 2 3 4 24 25 26 27 28 32 33	

ES9842 PRO Product Datasheet

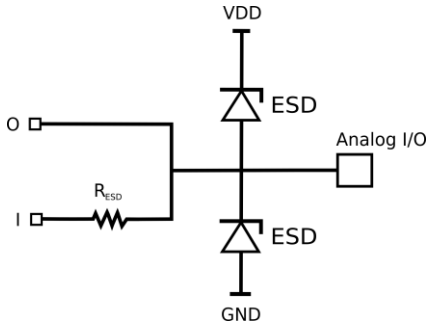
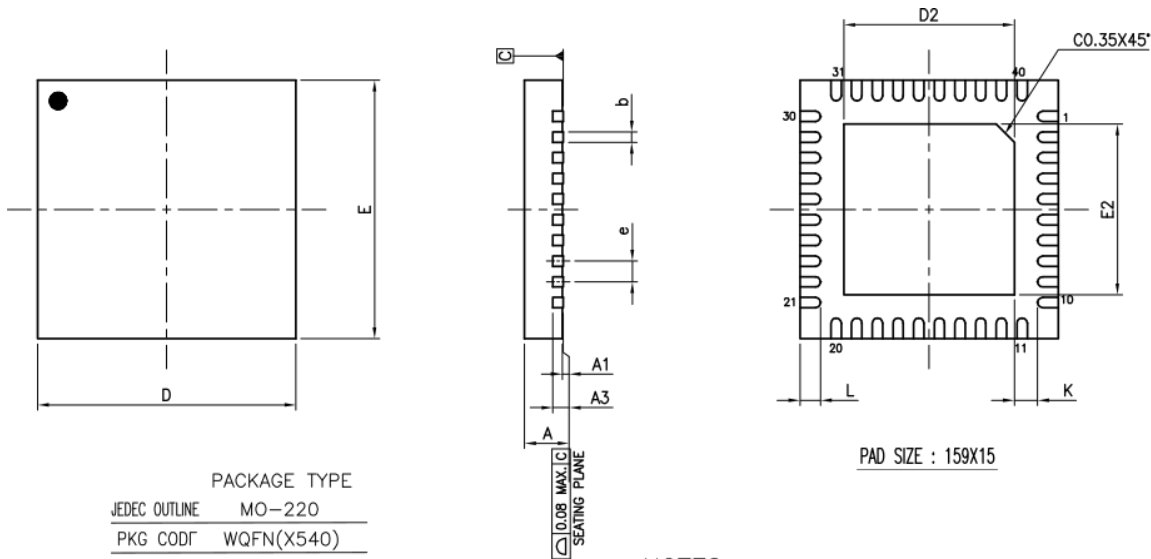
GPI06		34	
GPI05		35	
GPI04		36	
GPI03		37	
GPI02		38	
GPI01		39	
RT1		40	
XOUT	Analog IO	7	
XIN		8	
VREF_L		9	
IN_P1		12	
IN_M1		13	
IN_M3		14	
IN_P3		15	
IN_P4		16	
IN_M4		17	
IN_M2		18	
IN_P2		19	
VREF_R		22	

Table 32 - Internal Pad Circuitry

40 QFN Package Dimensions



PACKAGE TYPE			
JEDEC OUTLINE	MO-220		
PKG CODF	WQFN(X540)		
SYMBOLS	MIN.	NOM.	MAX.
A	0.70	0.75	0.80
A1	0.00	0.02	0.05
A3	0.203 REF.		
b	0.15	0.20	0.25
D	5.00 BSC		
E	5.00 BSC		
e	0.40 BSC		
K	0.20	—	—

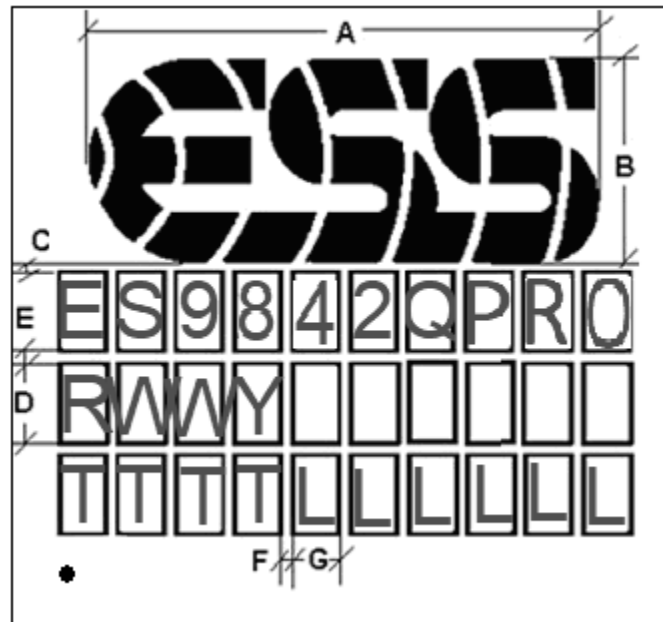
NOTES :

1. ALL DIMENSIONS ARE IN MILLIMETERS.
2. DIMENSION b APPLIES TO METALLIZED TERMINAL AND IS MEASURED BETWEEN 0.15mm AND 0.30mm FROM THE TERMINAL TIP. IF THE TERMINAL HAS THE OPTIONAL RADIUS ON THE OTHER END OF THE TERMINAL, THE DIMENSION b SHOULD NOT BE MEASURED IN THAT RADIUS AREA.
3. BILATERAL COPLANARITY ZONE APPLIES TO THE EXPOSED HEAT SINK SLUG AS WELL AS THE TERMINALS.

PAD SIZE	D2			E2			L		
	MIN.	NOM.	MAX.	MIN.	NOM.	MAX.	MIN.	NOM.	MAX.
159X15* MIL	3.74	3.79	3.84	3.74	3.79	3.84	0.25	0.30	0.35

Figure 20 - 40 QFN Package Dimensions

40 QFN Top View Marking



Package Type	Dimension in mm						
	A	B	C	D	E	F	G
QFN 5mm x 5mm	4.0	1.6	0.2	0.4	0.2	0.1	0.3

<i>T</i>	<i>Tracking number</i>
<i>W</i>	<i>Work week</i>
<i>Y</i>	<i>Last digit of year</i>
<i>L</i>	<i>Lot number</i>
<i>R</i>	<i>Silicon Revision</i>

Marking is subject to change. This drawing is not to scale.

Figure 21 - ES9842 PRO QFN Marking

Reflow Process Considerations

Temperature Controlled

For lead-free soldering, the characterization and optimization of the reflow process is the most important factor to consider. The lead-free alloy solder has a melting point of 217°C. This alloy requires a minimum reflow temperature of 235°C to ensure good wetting. The maximum reflow temperature is in the 245°C to 260°C range, depending on the package size (RPC-2 Pb-Free Process – Classification Temperatures (T_c)). This narrows the process window for lead-free soldering to 10°C to 20°C.

The increase in peak reflow temperature in combination with the narrow process window makes the development of an optimal reflow profile a critical factor for ensuring a successful lead-free assembly process. The major factors contributing to the development of an optimal thermal profile are the size and weight of the assembly, the density of the components, the mix of large and small components, and the paste chemistry being used.

Reflow profiling needs to be performed by attaching calibrated thermocouples well adhered to the device as well as other critical locations on the board to ensure that all components are heated to temperatures above the minimum reflow temperatures and that smaller components do not exceed the maximum temperature limits (Table RPC-2).

To ensure that all packages can be successfully and reliably assembled, the reflow profiles studied and recommended by ESS are based on the JEDEC/IPC standard J-STD-020 revision D.1.

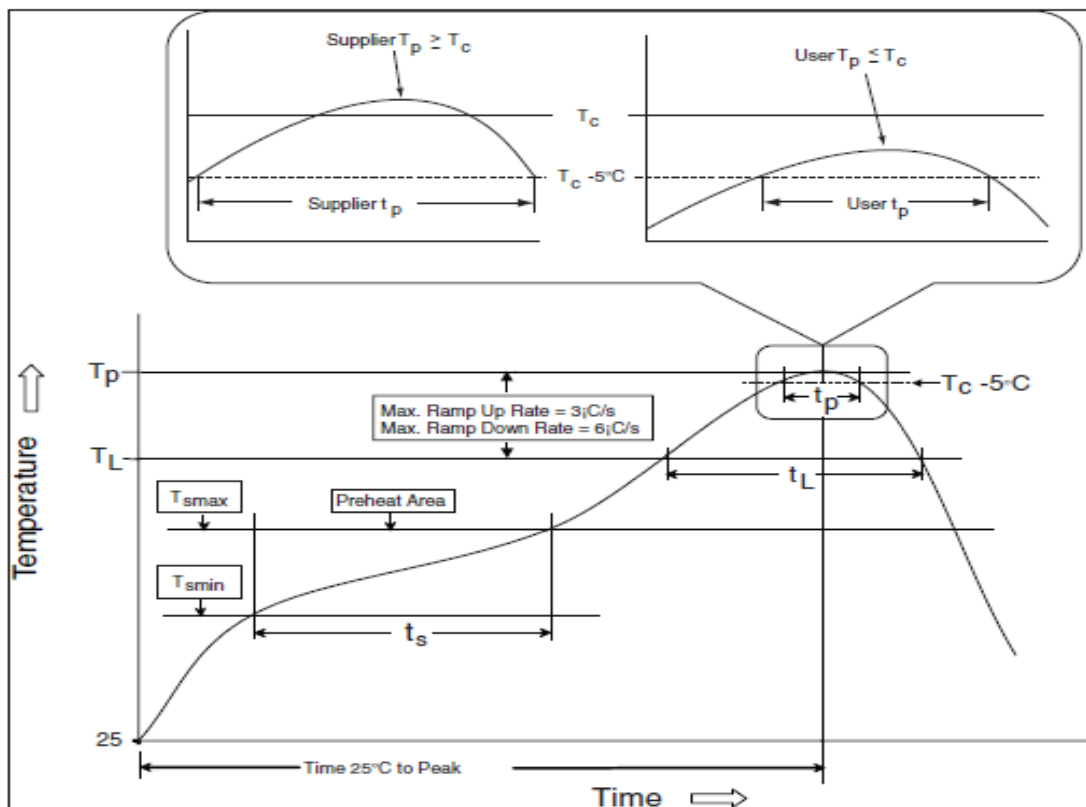


Figure 22 - IR/Convection Reflow Profile (IPC/JEDEC J-STD-020D.1)



ES9842 PRO Product Datasheet

Reflow is allowed 3 times. Caution must be taken to ensure time between re-flow runs does not exceed the allowed time by the moisture sensitivity label. If the time elapsed between the re-flows exceeds the moisture sensitivity time bake the board according to the moisture sensitivity label instructions.

Manual

Allowed up to 2 times with maximum temperature of 350°C no longer than 3 seconds.

RPC-1 Classification reflow profile

Profile Feature	Pb-Free Assembly
Preheat/Soak	
Temperature Min (T _{min})	150°C
Temperature Max (T _{max})	200°C
Time (ts) from (T _{min} to T _{max})	60-120 seconds
Ramp-up rate (TL to T _p)	3°C / second maximum
Liquidous temperature (TL)	217°C
Time (tL) maintained above TL	60-150 seconds
Peak package body temperature (T _p)	For users T _p must not exceed the classification temp in Table RPC-2. For suppliers T _p must equal or exceed the Classification temp in Table RPC-2.
Time (t _p)* within 5°C of the specified classification temperature (T _c), see Error! Reference source not found.7	30* seconds
Ramp-down rate (T _p to TL)	6°C / second maximum
Time 25°C to peak temperature	8 minutes maximum
* Tolerance for peak profile temperature (T _p) is defined as a supplier minimum and a user maximum.	

Table 33 - RPC-1 Classification reflow profile

All temperatures refer to the center of the package, measured on the package body surface that is facing up during assembly reflow (e.g., live-bug). If parts are reflowed in other than the normal live-bug assembly reflow orientation (i.e., dead-bug), T_p shall be within ±2°C of the live-bug T_p and still meet the T_c requirements, otherwise, the profile shall be adjusted to achieve the latter. To accurately measure actual peak package body temperatures, refer to JEP140 for recommended thermocouple use.

Reflow profiles in this document are for classification/preconditioning and are not meant to specify board assembly profiles. Actual board assembly profiles should be developed based on specific process needs and board designs and should not exceed the parameters in Table RPC-1.

For example, if T_c is 260°C and time t_p is 30 seconds, this means the following for the supplier and the user.

For a supplier: The peak temperature must be at least 260°C. The time above 255°C must be at least 30 seconds.

For a user: The peak temperature must not exceed 260°C. The time above 255°C must not exceed 30 seconds.

All components in the test load shall meet the classification profile requirements.

ES9842 PRO Product Datasheet

RPC-2 Pb-Free Process – Classification Temperatures (Tc)

Package Thickness	Volume mm ³ , <350	Volume mm ³ , 350 to 2000	Volume mm ³ , >2000
<1.6 mm	260°C	260°C	260°C
1.6 mm – 2.5 mm	260°C	250°C	245°C
>2.5 mm	250°C	245°C	245°C

Table 34 - RPC-2 Pb-Free Process

At the discretion of the device manufacturer, but not the board assembler/user, the maximum peak package body temperature (Tp) can exceed the values specified in Table RPC-2. The use of a higher Tp does not change the classification temperature (Tc).

Package volume excludes external terminals (e.g., balls, bumps, lands, leads) and/or nonintegral heat sinks.

The maximum component temperature reached during reflow depends on package thickness and volume. The use of convection reflow processes reduces the thermal gradients between packages. However, thermal gradients due to differences in thermal mass of SMD packages may still exist.

Ordering Information

Part Number	Description	Package
ES9842QPRO	SABRE 32-bit 4 Channel ADC with Built in programmable filters, ASP, and multiple output format	5mm x 5mm 40 QFN

Table 35 - Ordering Information

ES9842 PRO Product Datasheet

Addendum

The following subsections outline the recommended configuration for Common I2S and TDM modes in s2m format.

I2S Master

FS=48kHz, 4 Channel from 2 data lines of I2S, MCLK=49.152MHz

```
w 0x48 193 0x01; //SEL_SYSCLK_IN = 00 (XTAL), EN_ANA_CLKIN = 1
//w 0x48 193 0x05; //SEL_SYSCLK_IN = 10 (ACLK), EN_ANA_CLKIN = 1
w 0x48 194 0x01; //SEL_CLK_DIV = 1/2 (sets ADC CLK rate, must be 22 or 24MHz)
```

```
w 0 0x00; //OUTPUT_SEL = 00 (I2S)
w 2 0x07; //SELECT_ADC_NUM = 7 for 48k/44.1k, 3 for 96k, 1 for 192k
w 3 0x01; //SELECT_IADC_NUM = 1, should match SEL_CLK_DIV
w 8 0x07; //MASTER_BCK_DIV1 = 0, MASTER_MODE_ENABLE = 1
w 9 0x07; //SELECT_I2S_TDM_NUM = 7 for 48k/44.1k
w 10 0x05; //TDM_VALID_EDGE = 1, ENABLE_TDM_CLK = 1
w 11 0x01; //TDM_CH_NUM = 1 (# of channels = 1 + TDM_CH_NUM)
w 12 0x00; //TDM_LINE_SEL_CH1: 00 (GPIO3), TDM_SLOT_SEL_CH1: 0 (slot 0)
w 13 0x01; //TDM_LINE_SEL_CH2: 00 (GPIO3), TDM_SLOT_SEL_CH2: 1 (slot 1)
w 14 0x20; //TDM_LINE_SEL_CH3: 01 (GPIO4), TDM_SLOT_SEL_CH3: 0 (slot 0)
w 15 0x21; //TDM_LINE_SEL_CH4: 01 (GPIO4), TDM_SLOT_SEL_CH4: 1 (slot 1)
w 23 0x0A; //FS_PHASE = 10
```

//GPIO enabling

```
w 74 0x22; //GPIO1_CFG and GPIO2_CFG set to AUX output (master mode)
w 75 0x22; //GPIO3 and GPIO4 set to AUX output
w 86 0x03; //GPIO1_SDB and GPIO2_SDB input enabled (required)
w 88 0x0F; //GPIO1_OE and GPIO2_OE and GPIO3_OE and GPIO4_OE output enabled
```

//ADC CONFIG

```
w 63 0xBB; //adc ch1 config
w 64 0x38;
w 65 0xBB; //adc ch2 config
w 66 0x38;
w 67 0xBB; //adc ch3 config
w 68 0x38;
w 69 0xBB; //adc ch4 config
w 70 0x38;
w 71 0xFF; //set common mode to 3
```

//ADC filter and datapath registers

```
w 113 0x98; //ADC1_FILTER_SHAPE = Minimum phase slow roll off
w 130 0x98; //ADC2_FILTER_SHAPE = Minimum phase slow roll off
w 147 0x98; //ADC3_FILTER_SHAPE = Minimum phase slow roll off
w 164 0x98; //ADC4_FILTER_SHAPE = Minimum phase slow roll off
```

//Enable ADC

```
w 1 0xFF; //ENABLE_ADC_CH and ENABLE_DATA_IN_CH
```

I2S Slave

FS=48kHz, 4 Channel from 2 data lines of I2S, MCLK=49.152MHz

```
w 0x48 193 0x01; //SEL_SYSCLK_IN = 00 (XTAL), EN_ANA_CLKIN = 1
//w 0x48 193 0x05; //SEL_SYSCLK_IN = 10 (ACLK), EN_ANA_CLKIN = 1
w 0x48 194 0x01; //SEL_CLK_DIV = 1/2 (sets ADC CLK rate, must be 22 or 24MHz)
```

```
w 0 0x00; //OUTPUT_SEL = 00 (I2S)
w 1 0xFF; //ENABLE_ADC_CH and ENABLE_DATA_IN_CH
w 2 0x07; //SELECT_ADC_NUM = 7 for 48k/44.1k, 3 for 96k, 1 for 192k
w 3 0x01; //SELECT_IADC_NUM = 1, should match SEL_CLK_DIV
w 8 0x00; //MASTER_BCK_DIV1 = 0, MASTER_MODE_ENABLE = 0
w 9 0x00; //master mode is disabled
w 10 0x05; //TDM_VALID_EDGE = 1, ENABLE_TDM_CLK = 1
w 11 0x01; //TDM_CH_NUM = 1 (# of channels = 1 + TDM_CH_NUM)
w 12 0x00; //TDM_LINE_SEL_CH1: 00 (GPIO3), TDM_SLOT_SEL_CH1: 0 (slot 0)
w 13 0x01; //TDM_LINE_SEL_CH2: 00 (GPIO3), TDM_SLOT_SEL_CH2: 1 (slot 1)
w 14 0x20; //TDM_LINE_SEL_CH3: 01 (GPIO4), TDM_SLOT_SEL_CH3: 0 (slot 0)
w 15 0x21; //TDM_LINE_SEL_CH4: 01 (GPIO4), TDM_SLOT_SEL_CH4: 1 (slot 1)
w 23 0x0A; //FS_PHASE = 10
```

//GPIO enabling

```
w 74 0x11; //GPIO1 and GPIO2 set to AUX input (slave mode)
w 75 0x22; //GPIO3 and GPIO4 set to AUX output
w 86 0x03; //GPIO1 and GPIO2 input enabled
w 88 0x0C; //GPIO3 and GPIO4 output enabled
```

//ADC CONFIG

```
w 63 0xBB; //adc ch1 config
w 64 0x38;
w 65 0xBB; //adc ch2 config
w 66 0x38;
w 67 0xBB; //adc ch3 config
w 68 0x38;
w 69 0xBB; //adc ch4 config
w 70 0x38;
w 71 0xFF; //set common mode to 3
```

//ADC filter and datapath registers

```
w 113 0x98; //ADC1_FILTER_SHAPE = Minimum phase slow roll off
w 130 0x98; //ADC2_FILTER_SHAPE = Minimum phase slow roll off
w 147 0x98; //ADC3_FILTER_SHAPE = Minimum phase slow roll off
w 164 0x98; //ADC4_FILTER_SHAPE = Minimum phase slow roll off
```

//Enable ADC

```
w 1 0xFF; //ENABLE_ADC_CH and ENABLE_DATA_IN_CH
```

ES9842 PRO Product Datasheet

TDM Master

FS=48kHz, 4 Channel TDM (Left Justified), MCLK=49.152MHz

```
w 0x48 193 0x01; //SEL_SYSCLK_IN = 00 (XTAL), EN_ANA_CLKIN = 1
//w 0x48 193 0x05; //SEL_SYSCLK_IN = 10 (ACLK), EN_ANA_CLKIN = 1
w 0x48 194 0x01; //SEL_CLK_DIV = 1/2 (sets ADC CLK rate, must be 22 or 24MHz)

w 0 0x40; //OUTPUT_SEL = 10 (TDM)
w 2 0x07; //SELECT_ADC_NUM = 7 for 48k/44.1k, 3 for 96k, 1 for 192k
w 3 0x01; //SELECT_IADC_NUM = 1, should match SEL_CLK_DIV
w 7 0x20; //MASTER_WS_SCALE = Scale WS by 2
w 8 0x07; //MASTER_BCK_DIV1 = 0, MASTER_MODE_ENABLE = 1
w 9 0x07; //SELECT_I2S_TDM_NUM = 7 (SELECT_I2S_TDM_NUM + 1)*(MASTER_WS_SCALE)
w 10 0x03; //TDMLJ format: TDM_LJ = 1, TDM_VALID_EDGE = 0, ENABLE_TDM_CLK = 1
w 11 0x03; //TDM_CH_NUM = 3 (# of channels = 1 + TDM_CH_NUM)
w 12 0x00; //TDM_LINE_SEL_CH1: 00 (GPIO3), TDM_SLOT_SEL_CH1: 0 (slot 0)
w 13 0x01; //TDM_LINE_SEL_CH2: 00 (GPIO3), TDM_SLOT_SEL_CH2: 1 (slot 1)
w 14 0x02; //TDM_LINE_SEL_CH3: 00 (GPIO3), TDM_SLOT_SEL_CH3: 2 (slot 2)
w 15 0x03; //TDM_LINE_SEL_CH4: 00 (GPIO3), TDM_SLOT_SEL_CH4: 3 (slot 3)
w 23 0x0A; //FS_PHASE = 10
w 33 0x95; //TDM format LJ requires SYNC_POSEDGE_FRAME = 1

//GPIO enabling
w 74 0x22; //GPIO1_CFG and GPIO2_CFG set to AUX output (master mode)
w 75 0x02; //GPIO3_CFG set to AUX output (data out)
w 86 0x03; //GPIO1_SDB and GPIO2_SDB input enabled
w 88 0x0F; //GPIO1_OE and GPIO2_OE and GPIO3_OE and GPIO4_OE output enabled

//ADC CONFIG
w 63 0xBB; //adc ch1 config
w 64 0x38;
w 65 0xBB; //adc ch2 config
w 66 0x38;
w 67 0xBB; //adc ch3 config
w 68 0x38;
w 69 0xBB; //adc ch4 config
w 70 0x38;
w 71 0xFF; //set common mode to 3

//ADC filter and datapath registers
w 113 0x98; //ADC1_FILTER_SHAPE = Minimum phase slow roll off
w 130 0x98; //ADC2_FILTER_SHAPE = Minimum phase slow roll off
w 147 0x98; //ADC3_FILTER_SHAPE = Minimum phase slow roll off
w 164 0x98; //ADC4_FILTER_SHAPE = Minimum phase slow roll off

//Enable ADC
w 1 0xFF; //ENABLE_ADC_CH and ENABLE_DATA_IN_CH
```



TDM Slave

FS=48kHz, 4 Channel TDM (Left Justified), MCLK=49.152MHz

```
w 0x48 193 0x01; //SEL_SYSCLK_IN = 00 (XTAL), EN_ANA_CLKIN = 1
//w 0x48 193 0x05; //SEL_SYSCLK_IN = 10 (ACLK), EN_ANA_CLKIN = 1
w 0x48 194 0x01; //SEL_CLK_DIV = 1/2 (sets ADC CLK rate, must be 22 or 24MHz)

w 0 0x40; //OUTPUT_SEL = 10 (TDM)
w 2 0x07; //SELECT_ADC_NUM = 7 for 48k/44.1k, 3 for 96k, 1 for 192k
w 3 0x01; //SELECT_IADC_NUM = 1, should match SEL_CLK_DIV
w 8 0x00; //MASTER_BCK_DIV1 = 0, MASTER_MODE_ENABLE = 0
w 9 0x00; //master mode is disabled
w 10 0x03; //TDMLJ format: TDM_LJ = 1, TDM_VALID_EDGE = 0, ENABLE_TDM_CLK = 1
w 11 0x03; //TDM_CH_NUM = 3 (# of channels = 1 + TDM_CH_NUM)
w 12 0x00; //TDM_LINE_SEL_CH1: 00 (GPIO3), TDM_SLOT_SEL_CH1: 0 (slot 0)
w 13 0x01; //TDM_LINE_SEL_CH2: 00 (GPIO3), TDM_SLOT_SEL_CH2: 1 (slot 1)
w 14 0x02; //TDM_LINE_SEL_CH3: 00 (GPIO3), TDM_SLOT_SEL_CH3: 2 (slot 2)
w 15 0x03; //TDM_LINE_SEL_CH4: 00 (GPIO3), TDM_SLOT_SEL_CH4: 3 (slot 3)
w 23 0x0A; //FS_PHASE = 10
w 33 0x95; //TDM format LJ requires SYNC_POSEDGE_FRAME = 1

//GPIO enabling
w 74 0x11; //GPIO1_CFG and GPIO2_CFG set to AUX input (clocks in)
w 75 0x02; //GPIO3_CFG set to AUX output (data out)
w 86 0x03; //GPIO1_SDB and GPIO2_SDB input enabled
w 88 0x0C; //GPIO3_OE and GPIO4_OE output enabled

//ADC CONFIG
w 63 0xBB; //adc ch1 config
w 64 0x38;
w 65 0xBB; //adc ch2 config
w 66 0x38;
w 67 0xBB; //adc ch3 config
w 68 0x38;
w 69 0xBB; //adc ch4 config
w 70 0x38;
w 71 0xFF; //set common mode to 3

//ADC filter and datapath registers
w 113 0x98; //ADC1_FILTER_SHAPE = Minimum phase slow roll off
w 130 0x98; //ADC2_FILTER_SHAPE = Minimum phase slow roll off
w 147 0x98; //ADC3_FILTER_SHAPE = Minimum phase slow roll off
w 164 0x98; //ADC4_FILTER_SHAPE = Minimum phase slow roll off

//Enable ADC
w 1 0xFF; //ENABLE_ADC_CH and ENABLE_DATA_IN_CH
```

ES9842 PRO Product Datasheet

Revision History

Current Version 0.5

Rev.	Date	Notes
0.1.4	October 30, 2020	Initial release
0.1.6	November 2, 2020	<ul style="list-style-type: none"> Added Input Voltage to performance table
0.1.7	November 3, 2020	<ul style="list-style-type: none"> Added sample rate and latency table for the pre-programmed digital filters Updated the Impulse and Freq Response plots of the digital filters
0.1.8	November 6, 2020	<ul style="list-style-type: none"> Added GPIO Audio Data Configurations Updated Pin Descriptions Updated Reference Schematic
0.1.9	November 10, 2020	<ul style="list-style-type: none"> Corrected pin 28 naming on QFN pinout Updated pin descriptions Added I2C Slave/Synchronous Slave Interface Timing Added SPI Slave Interface formatting
0.1.10	November 17, 2020	<ul style="list-style-type: none"> Updated some power supply naming Added L dimension to Package Dimensions Corrected pin 5 naming in QFN pinout
0.1.11	November 24, 2020	<ul style="list-style-type: none"> Added Register Map
0.1.12	Dec 1, 2020	<ul style="list-style-type: none"> Corrected Pin 4 pin description
0.1.13	Feb 1, 2021	<ul style="list-style-type: none"> Updated Performance table Added Power Up/Down Sequences Updated recommended operating conditions Updated Absolute Maximum Ratings from 5V to 4.75V, no 5V supplies are to be used
0.1.14	Feb 1, 2021	<ul style="list-style-type: none"> Updated Package Drawing, removed ESS symbol
0.2	April 6, 2021	<ul style="list-style-type: none"> Added Clock Distribution section Updated Power Consumption table Added I2S Serial timing table Updated ASP references Corrected Register 228 with clip descriptions to register 229 Updated Digital Path diagram to include I2S decoder Added notes on THD compensation Added Clip detection section Digital Output Ports Reserved Reg 105[1],122[1],139[1],156[1] Updated Register 194 descriptions Updated Register 63-70 Register descriptions Updated Register 35,36 Register descriptions

		<ul style="list-style-type: none"> • Updated Register 12-15[6:5] descriptions • Added I2S decoder and Programmable delay section • Updated Register Overview I2C table • Updated Register 73 descriptions
0.2.1	April 14, 2021	<ul style="list-style-type: none"> • Updated Default value Register 13 [4:0] typo • Updated GPIO section description • Added Pin 41 Package pad description to Pin list • Updated Register 87-86 mnemonics
0.2.3	May 10, 2021	<ul style="list-style-type: none"> • Updated Register 23 FS_PHASE description. Recommended to set to 7'd10 • Updated Register 11 [7] TDM_GPIO456 • Updated Device Markings
0.2.4	June 10, 2021	<ul style="list-style-type: none"> • Reserved register 73 • Added minimum MCLK frequency
0.3.1	October 15, 2021	<ul style="list-style-type: none"> • Added clock configuration tables • Added 2x mode registers to clock distribution diagram • Added reserved register note to top of register listings • Added note on connecting package pin to DGND • Major overall formatting changes • Changed Standby power consumption • Added Captions to all tables and figures • Changed HP filter to DC blocking filter for clarity in Digital Path Block diagram • Re-organized Digital Features sub-sections and added corresponding register names • Added Volume Control section under Digital Signal Path • Updated GPIO section • Added Addendum with s2m configurations • Unreserved register 71 • Added PCM digital filter characteristics • Updated IADC clock description • Added ESD protection limits • Corrected Figure 5 ES9311 pin names, pins 16-17, 24-25 • Updated ES9311 reference schematic • Updated Register 64,66,68,70 descriptions
0.4	April 7, 2022	<ul style="list-style-type: none"> • Corrected Register Heading for register 23 (was an error) • Updated power up and down sequencing • Updated Register 6[5],192,193 Register Descriptions • Added switching characteristics section • Added audio interface timing requirements

ES9842 PRO Product Datasheet

		<ul style="list-style-type: none"> • Added TDM cascade and TDM/I2S parallel mode sections • Updated power consumption • Added DVDD to Recommended Operating Conditions • Updated block diagram, removed low noise reg reference • Added Min Phase filter characteristics • Reserved register 73 • Updated register 8[7] description • Added maximum input voltages • Added maximum negative supply voltages (See Absolute Max Ratings table)
0.5	May 26, 2023	<ul style="list-style-type: none"> • Updated formatting • Changed TDM/I2S to TDM/PCM • Updated PCM Filter characteristics • Update addendum s2m files • Added MCLK to BCK timing requirements • Renamed 2x mode to 64FS mode • Updated defaults for Registers 112, 129, 146, 163 • Updated names for Registers 112,113,129,130,146,147,163,164 • Updated Register 23[6:0] FS_PHASE • Renamed all “clip” references to “peak”

© 2021 ESS Technology, Inc.

ESS IC's are not intended, authorized, or warranted for use as components in military applications, medical devices or life support systems. ESS assumes no liability and disclaims any expressed, implied or statutory warranty for use of ESS IC's in such unsuitable applications.

No part of this publication may be reproduced, stored in a retrieval system, transmitted, or translated in any form or by any means, electronic, mechanical, manual, optical, or otherwise, without the prior written permission of ESS Technology, Inc. ESS Technology, Inc. makes no representations or warranties regarding the content of this document. All specifications are subject to change without prior notice. ESS Technology, Inc. assumes no responsibility for any errors contained herein. U.S. patents pending.

Mouser Electronics

Authorized Distributor

Click to View Pricing, Inventory, Delivery & Lifecycle Information:

[ESS Technology:](#)

[ES9842QPRO](#)