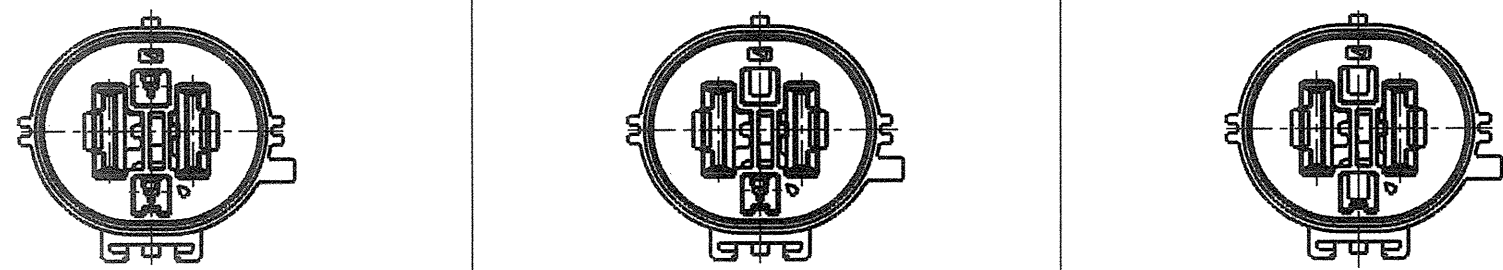


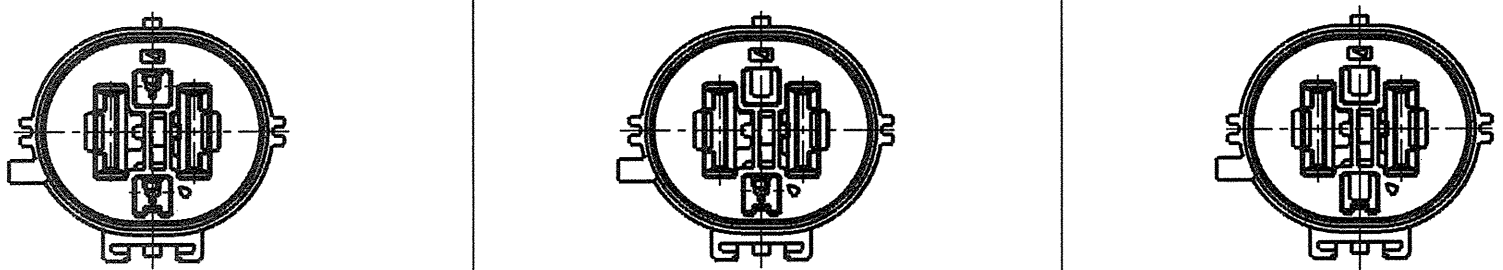
△ CODING OVERVIEW

CODE A
(SCALE 1:1)



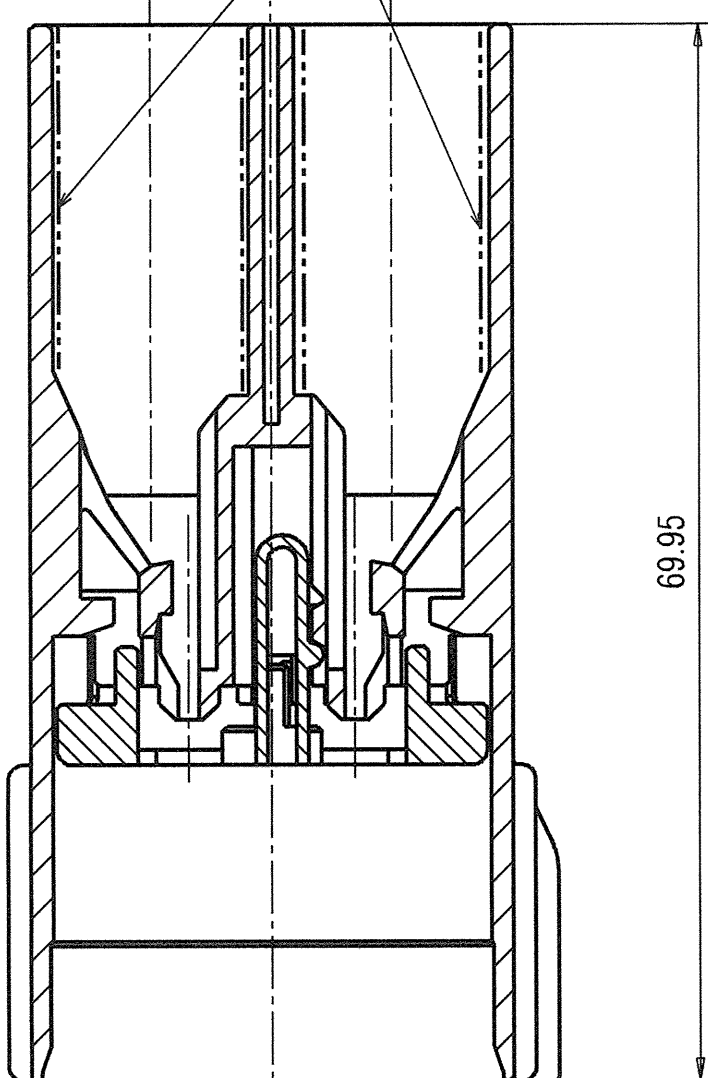
P/N: 7286-1397-30 COLOR: BLACK YPT HYBRID WP CONNECTOR △ 4P (1.5x2+9.5x2) (M) SUBASSEMBLY CODE A	P/N: 7286-1398-10 COLOR: DARK GRAY YPT HYBRID WP CONNECTOR △ 3P (1.5x1+9.5x2) (M) SUBASSEMBLY CODE A	P/N: 7286-1399-80 COLOR: DARK BROWN YPT HYBRID WP CONNECTOR △ 2P (9.5x2) (M) SUBASSEMBLY CODE A
---	---	--

△ CODE B
(SCALE 1:1)

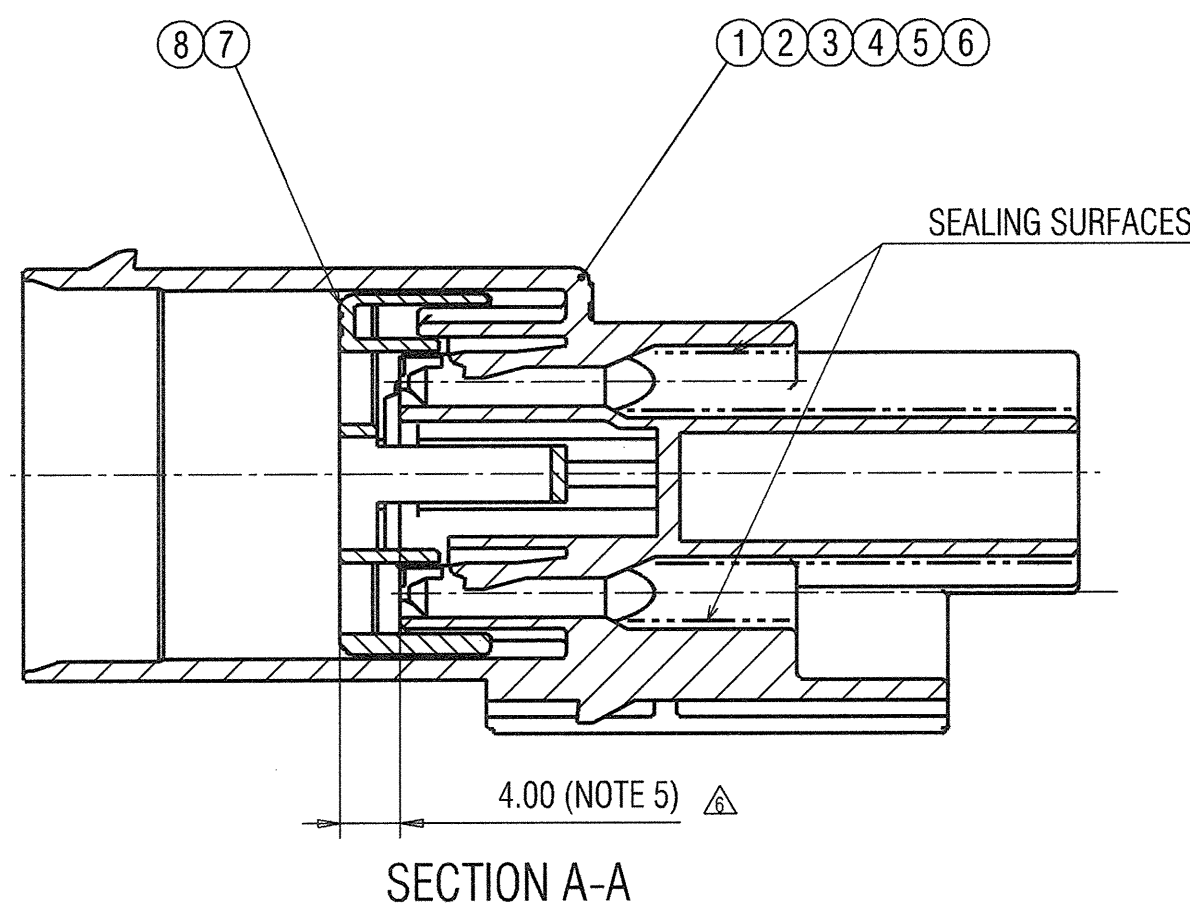
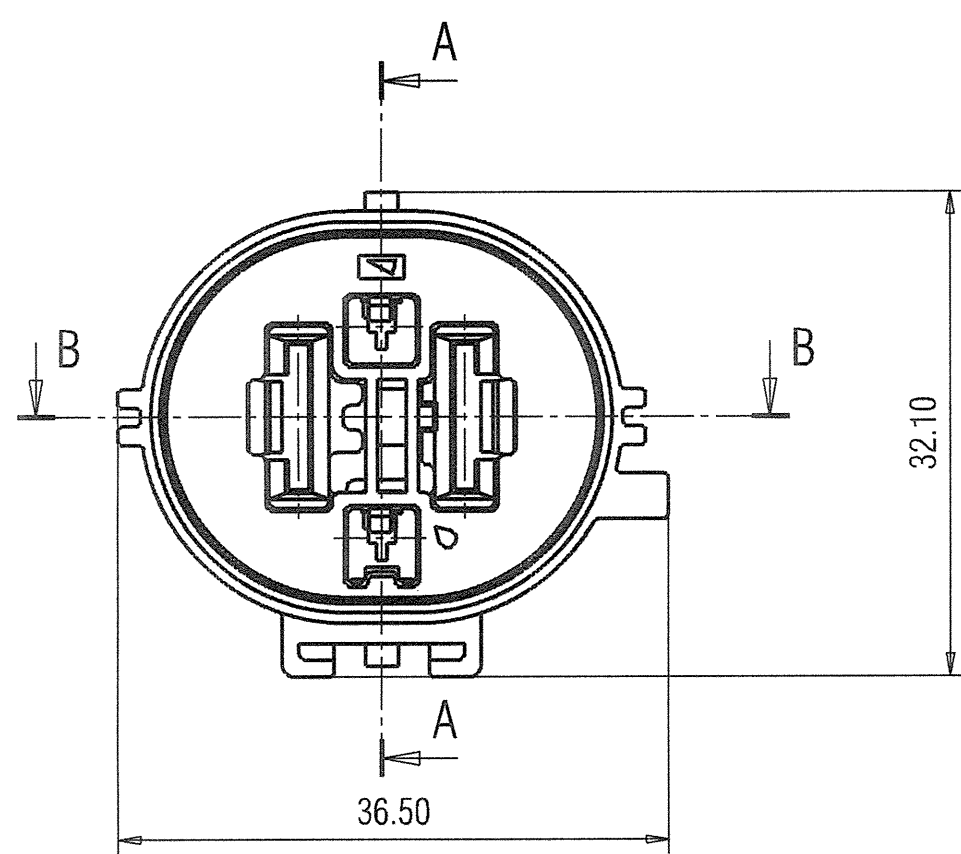


P/N: 7286-1400-30 COLOR: BLACK YPT HYBRID WP CONNECTOR △ 4P (1.5x2+9.5x2) (M) SUBASSEMBLY CODE B	P/N: 7286-1401-10 COLOR: DARK GRAY YPT HYBRID WP CONNECTOR △ 3P (1.5x1+9.5x2) (M) SUBASSEMBLY CODE B	P/N: 7286-1402-80 △ COLOR: DARK BROWN YPT HYBRID WP CONNECTOR △ 2P (9.5x2) (M) SUBASSEMBLY CODE B
---	---	--

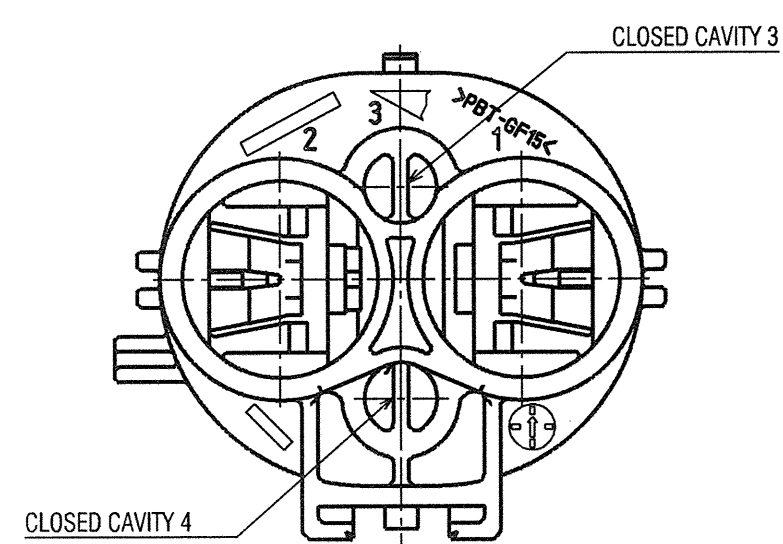
SEALING SURFACES



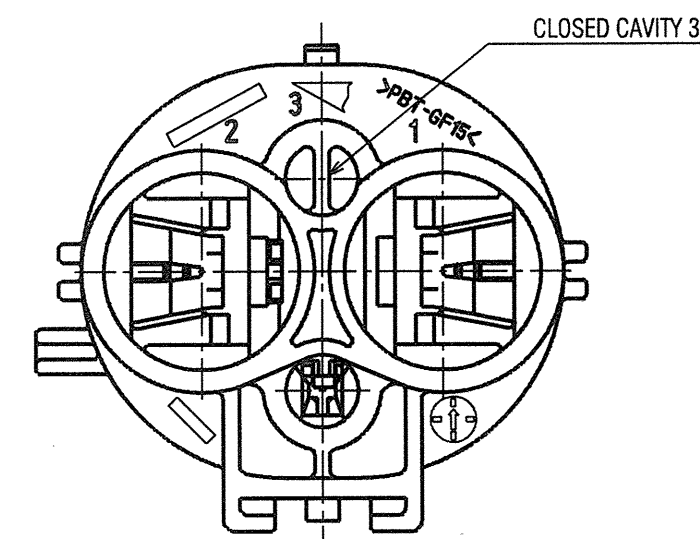
SECTION B-B



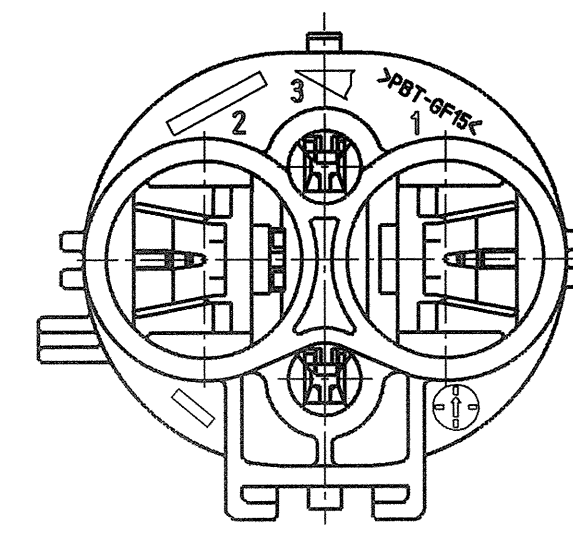
SECTION A-A



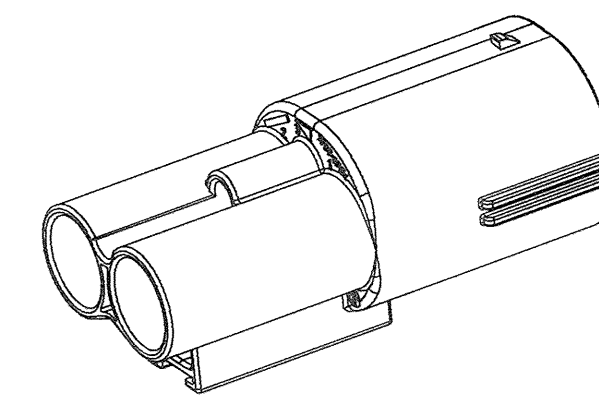
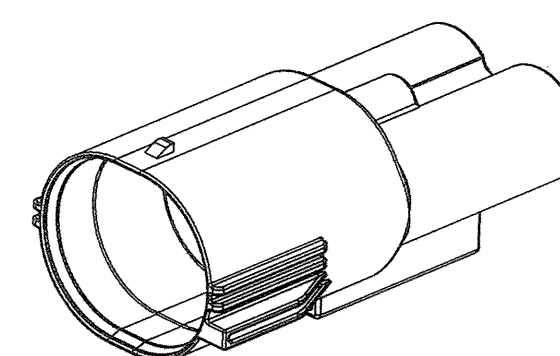
△ BACK VIEW FOR 2P CONFIGURATION



△ BACK VIEW FOR 3P CONFIGURATION



△ BACK VIEW FOR 4P CONFIGURATION



ISOMETRIC VIEW (SCALE 1:1)

NOTES:

- MATERIAL: SEE TABLE;
- COLOR: SEE TABLE;
- △ APPLICABLE TERMINALS: 7114-5623-02, 7114-5623-06; 7114-4102-02 ETC;
- △ APPLICABLE SEALS: 7158-3672-50 ETC; 7158-3033-40 ETC;
- THIS DIMENSION SHOWS THE PRESET POSITION OF FRONT HOLDER ON THE SUBASSEMBLY;
- △ MATING PRODUCT: 7287-1403-30 ETC.;
- FOR GENERAL GEOMETRICAL TOLERANCE SEE TABLE (ECCENT = ECCENTRICITY);
- △ HANDLING MANUAL: YPES-15-952E;
- △ PRODUCT STANDARD: YPES-11-04-162E;
- △ THE MATERIALS USED IN THIS PRODUCT ARE IN CONFORMITY WITH REQUIREMENTS OF EU ELV 2000/53/EC DIRECTIVE AND ASSOCIATED DOCUMENTS; MALE CONNECTOR FITS ON THE OPPOSITE SIDE (F CONNECTOR) OF THE SAME CODING INDEPENDENTLY ABOUT NUMBER OF MALE TERMINALS. CUSTOMER SHALL TAKE FULL RESPONSIBILITY OF CONSEQUENCE FOR MATING WITH WRONG COLOR CODING.
- △

Qty.	No.	YAZAKI PART No.	YAZAKI PART NAME	MATERIAL	COLOR
- - - - - 1	①	7186-1397-30	YPT HYBRID WP CONNECTOR 4P (1.5x2+9.5x2) (M) HOUSING CODE A	PBT-GF15	BLACK
- - - - - 1	②	7186-1398-10	YPT HYBRID WP CONNECTOR 3P (1.5x1+9.5x2) (M) HOUSING CODE A	PBT-GF15	DARK GREY
- - - 1 - -	③	7186-1399-80	YPT HYBRID WP CONNECTOR 2P (9.5x2) (M) HOUSING CODE A	PBT-GF15	DARK BROWN
- - 1 - - -	④	7186-1400-30	YPT HYBRID WP CONNECTOR 4P (1.5x2+9.5x2) (M) HOUSING CODE B	PBT-GF15	BLACK
- 1 - - - -	⑤	7186-1401-10	YPT HYBRID WP CONNECTOR 3P (1.5x1+9.5x2) (M) HOUSING CODE B	PBT-GF15	DARK GREY
1 - - - - -	⑥	7186-1402-80	YPT HYBRID WP CONNECTOR 2P (9.5x2) (M) HOUSING CODE B	PBT-GF15	DARK BROWN
- - - 1 1 1	⑦	7172-0172	YPT HYBRID WP CONNECTOR (M) FRONT HOLDER CODE A	PBT-GF15	NATURAL
1 1 1 - - -	⑧	7172-0172-60	YPT HYBRID WP CONNECTOR (M) FRONT HOLDER CODE B	PBT-GF15	GREEN
		7286-1402-80	△		
		7286-1401-10	△		
		7286-1400-30	△		
		7286-1399-80	△		
		7286-1398-10	△		
		7286-1397-30	△		
		YAZAKI SUBASSY No.	△		

△	DATE	REVISION RECORD	NO.	CHKD
△	07.03.16	UPDATED TABLE ETC.	Y16-0137	B.F.
△	23.09.13	UPDATED TABLE ETC.	Y13-0531	J.J.
△	19.06.12	UPDATED CODINGS	Y12-0505	J.J.
△	26.10.09	CHANGED DESIGN	Y09-0432	J.J.
△	09.04.09	UPDATED NOTES	Y09-0101	J.J.
△	15.07.08	CHANGED NAMES	Y08-0044	J.J.
△	24.01.07	NEW	C07-D524	J.J.

PRINTED COPIES ARE UNCONTROLLED. THEY ARE POTENTIALLY OUT-OF-DATE AND INVALID. DATABASE IS MASTER.

CUSTOMER		MATERIAL SPEC.		SEE NOTES		TREAT. & FIN.		SEE NOTES	
CUSTOMER PART NO.		CUSTOMER DWG NO.		NAME		YPT HYBRID WP CONNECTOR △			
OFFICE YEL-K		TRIAL PART NO.		DRAWN		T.COTA		PART NO. 7286-1397-30 ETC.	
VENDOR NO.		X40682-D874 ETC.		DESIGN		M.HANZEK		CH. CODE	
DWG TYPE		DWG SOURCE		DWG DATE		UNIT		DWG NO. 7286-1397-30:R	
R		NEW		06.11.2007		mm		SET DWG NO.	
APPROVED		CHECKED		CHECKED		DESIGN		DRAWN	
G.GREGURJC		B.FRETZE		T.COTA		M.HANZEK		T.COTA	
SPECIFIED		MASS		20.9 g		29.09.2016		07.03.2016	



Mouser Electronics

Authorized Distributor

Click to View Pricing, Inventory, Delivery & Lifecycle Information:

Yazaki:

7286139980