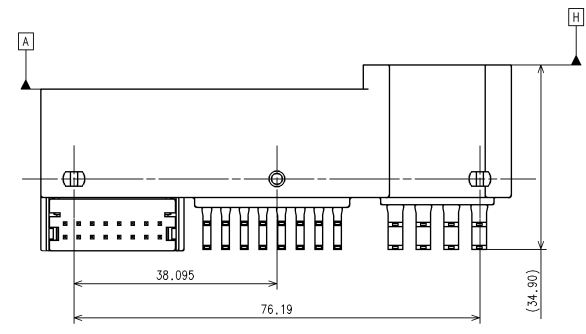
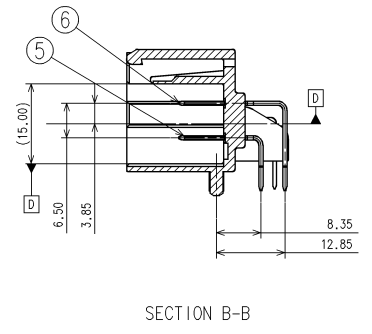
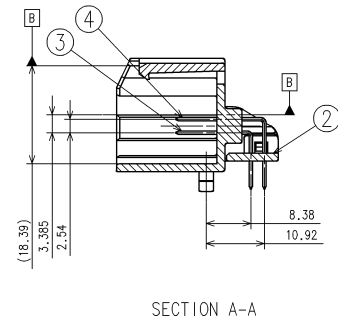
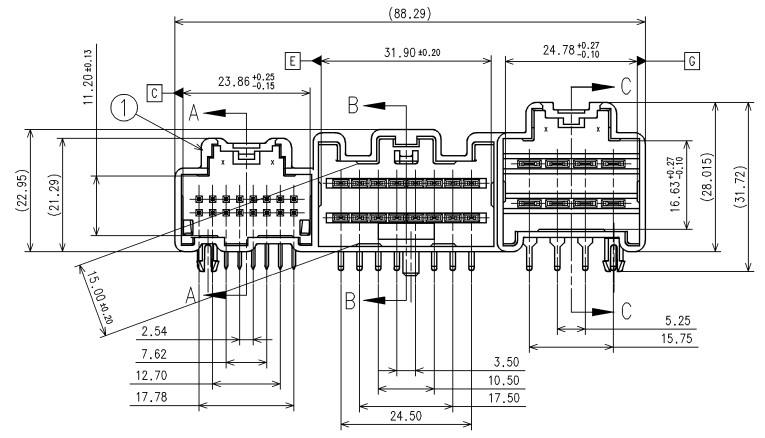
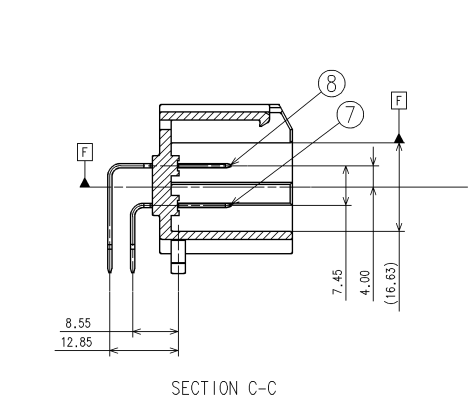


| SUB ASSEMBLY PART NUMBER | NO. | PART NUMBER | PART NAME | MATERIAL | COLOR | QUANTITY |
|--------------------------|-----|--------------|---|----------|---------|----------|
| 7386-9729-3R | 1 | 7186-9729-30 | 40P HYBRID UNSEALED MALE PCB HEADER CONNECTOR HSG (H) | PPA-GF15 | BLACK | 1 |
| | 2 | 7173-1329 | 16P 0.64 PCB HEADER CONNECTOR ALIGNMENT PLATE | PPA-GF15 | NATURAL | 1 |
| | 3 | 7114-3121-R2 | 0.64 PCB TERMINAL (LEAD-FREE) | BRASS | - | 8 |
| | 4 | 7114-3122-R2 | 0.64 PCB TERMINAL (LEAD-FREE) | BRASS | - | 8 |
| | 5 | 7114-3288-R2 | 1.50 PCB TERMINAL (LEAD-FREE) | BRASS | - | 8 |
| | 6 | 7114-3289-R2 | 1.50 PCB TERMINAL (LEAD-FREE) | BRASS | - | 8 |
| | 7 | 7114-5945-R2 | 2.80 PCB TERMINAL (LEAD-FREE) | BRASS | - | 4 |
| | 8 | 7114-5946-R2 | 2.80 PCB TERMINAL (LEAD-FREE) | BRASS | - | 4 |



- NOTES:
- PARTS MUST BE PURCHASED FROM YAZAKI.
 - PARTS MUST BE FREE OF FLASH AND IMPERFECTIONS THAT AFFECT FUNCTION.
 - MATING PART NUMBERS:
0.64 POKET: 7283-9076-30
1.50 POKET: 6098-4511 (SUMITOMO)
2.80 POKET: 6095-4713 (SUMITOMO)
 - PART DESIGNED TO SATISFY USCAR 2, REVISION 3, APRIL 2001 (CLASS 2) WITH THE FOLLOWING EXCEPTIONS:
A. SECTION 5.4.2 CONNECTOR ENGAGE FORCE (FOR 16P 0.64 POKET) 89N MAX.
B. SECTION 5.4.2 CONNECTOR DISENGAGE FORCE (FOR 16P 0.64 POKET) 88N MAX.
C. POLARIZATION FEATURE EFFECTIVENESS (FOR 16P 0.64 POKET) 49-172N
 - CONNECTOR INTERFACE DESIGNED PER USCAR DRAWINGS LISTED BELOW.
PART TO BE INSPECTED ONLY TO 7386-9729-3R-M.
16P 0.64: 064-U-016-2-A02, REV. C, 05-01-2003
16P 1.50: 150-U-016-2-A01, REV. B, 01-28-2003
8P 2.80: 280-U-008-2-A01, REV. B, 01-30-2002
 - PART TO COMPLY WITH YPES-31-038 REQUIREMENTS.
 - THIS DRAWING IS TO BE USED FOR INTERNAL YAZAKI PSW SUBMISSION.

| | | | | | |
|-------------------|------------------|--|----------------|----------------|------------|
| CUSTOMER | | MATERIAL SPEC. | | TREAT. & FIN. | |
| CUSTOMER PART NO. | CUSTOMER DWG NO. | SEE TABLE | N/A | | |
| OFFICE YNA | TRIAL PART NO. | NAME 40P (16P 0.64 YESC KAIZEN)+(16P x 1.5)+(8P x 2.8) | | | |
| VENDOR | VENDOR NO. | HYBRID UNSEALED MALE PCB HEADER CONNECTOR ASSEMBLY (H) LEAD-FREE | | | |
| GENERAL TOLERANCE | | DWG TYPE | DWG SOURCE | DWG DATE | UNIT |
| 10 MAX | 50 MAX | R | 7386-9729-3R-M | 07-15-2013 | mm |
| A ±0.15 | ±0.2 | APPROVED | CHECKED | CHECKED | DESIGN |
| B ±0.2 | ±0.3 | DRAWN | | ERIC | VALENTIN |
| C ±0.3 | ±0.5 | DWG NO. | | ZMART | LOYA |
| 100 MAX | 250 MAX | DWG NO. | | 05-31-2012 | 07-15-2013 |
| ±0.3 | ±0.5 | PART NO. | | 7386-9729-3R | |
| ±0.8 | ±1.4 | DWG NO. | | 7386-9729-3R:R | |
| ±2.0 | | YAZAKI CORPORATION | | | |

| DATE | REVISION | RECORD | NO. | Y.L. | CHKD |
|------------|----------|--------|----------|------|------|
| 07-15-2013 | NEW | | C13-A339 | | |

| ANGLE | ECCENT | DWG TYPE | DWG SOURCE | DWG DATE | UNIT | SCL | ANGLE | PART NO. | CH. CODE |
|-----------------|--------|----------|----------------|------------|----------|-----|-------|----------------|----------|
| ±3° | 0.1 | R | 7386-9729-3R-M | 07-15-2013 | mm | 2/1 | 3 | 7386-9729-3R | |
| ±3° | 0.1 | APPROVED | CHECKED | CHECKED | DESIGN | | | 7386-9729-3R:R | |
| ±3° | 0.15 | DRAWN | | ERIC | VALENTIN | | | | |
| WEIGHT (27.09g) | | DWG NO. | | ZMART | LOYA | | | | |



Mouser Electronics

Authorized Distributor

Click to View Pricing, Inventory, Delivery & Lifecycle Information:

[Yazaki:](#)

[738697293R](#)