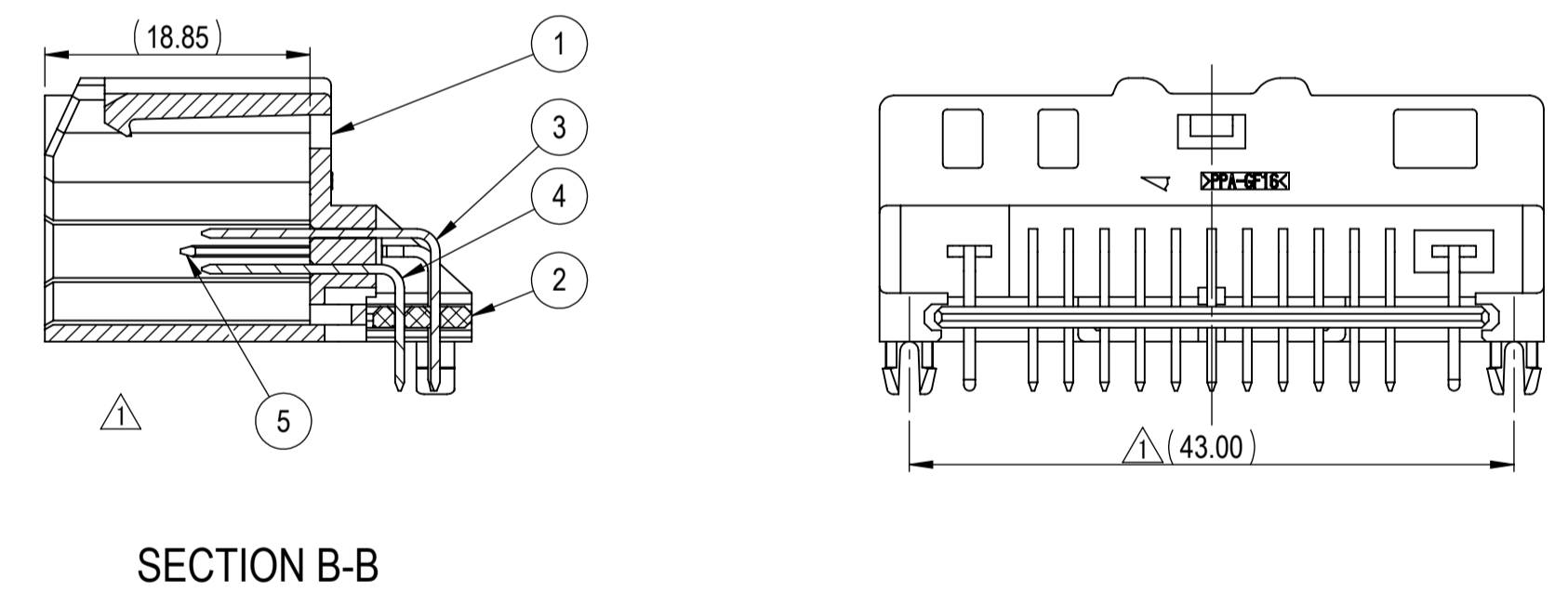
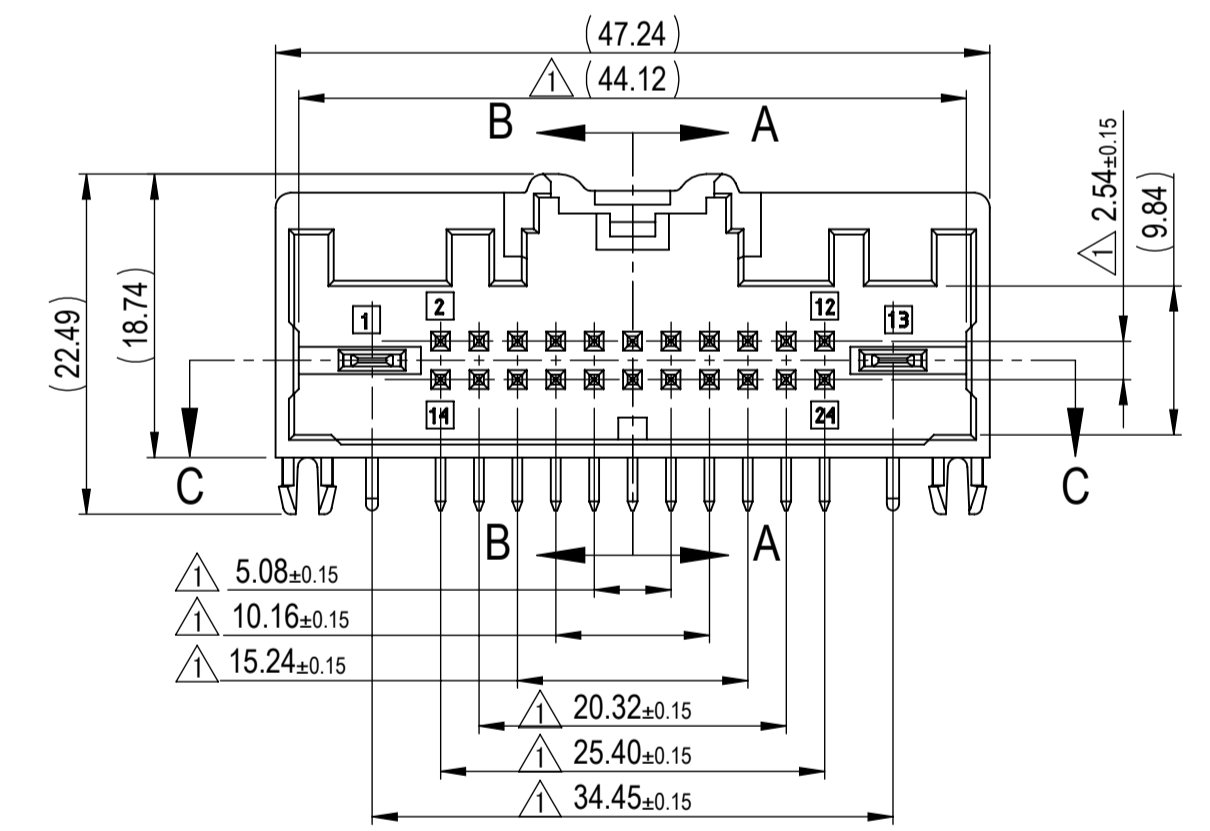
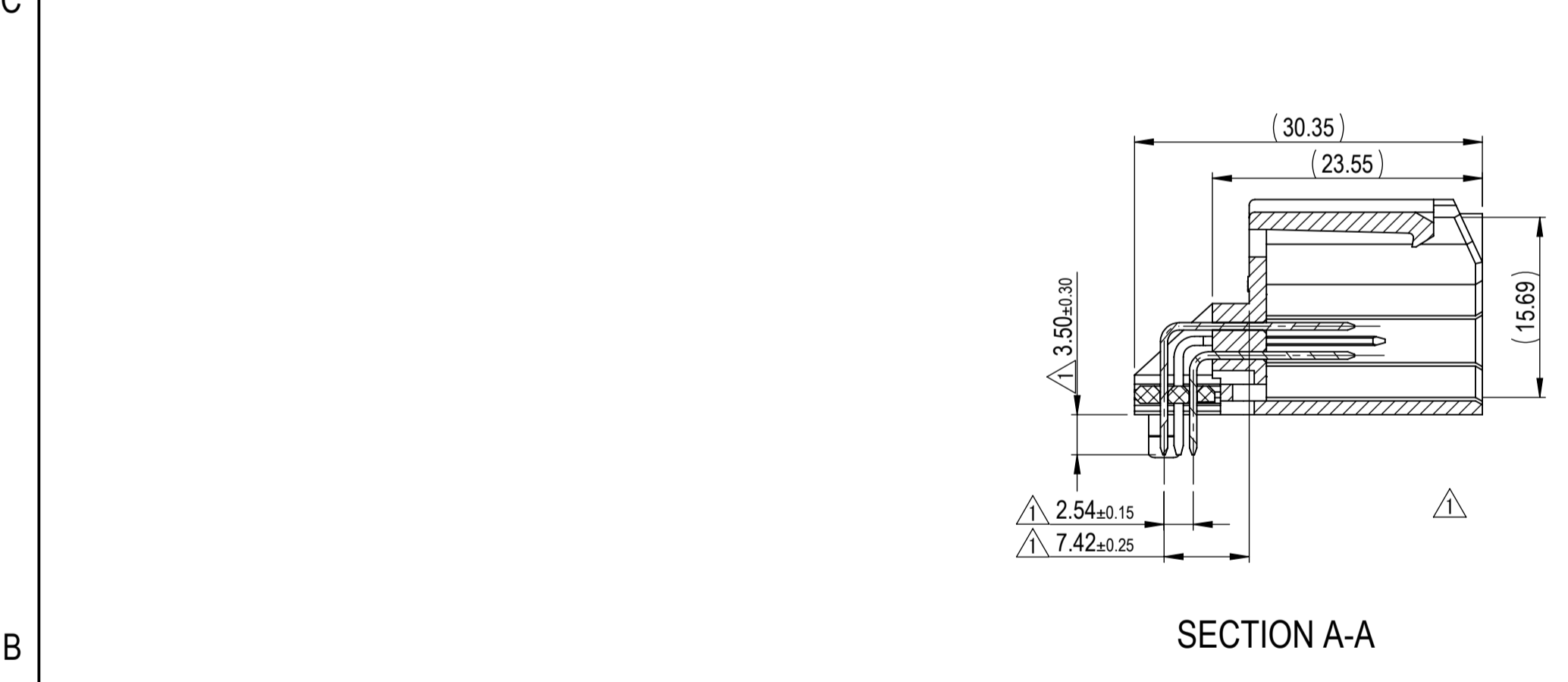
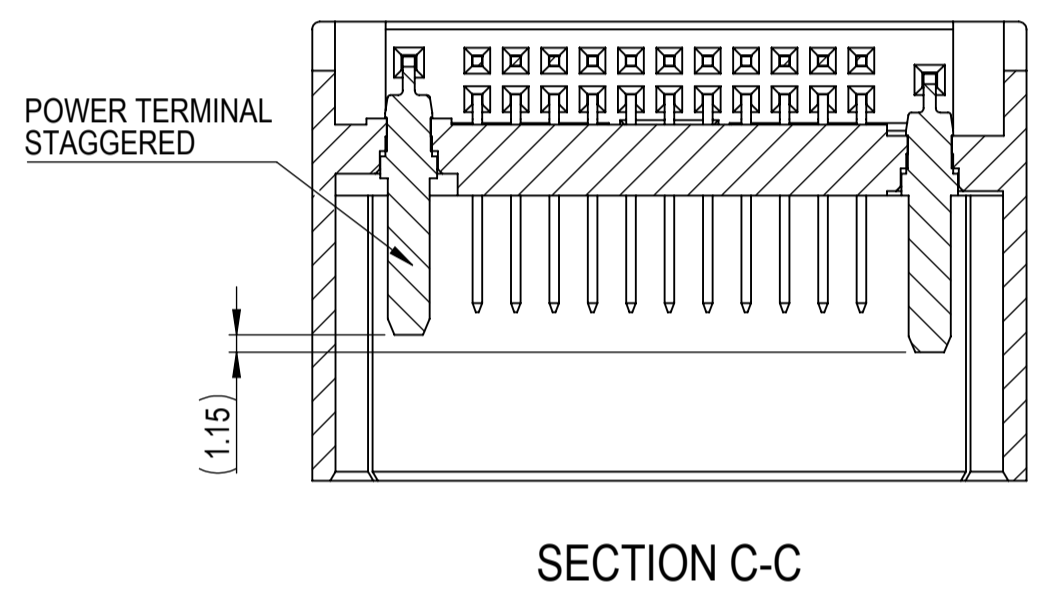
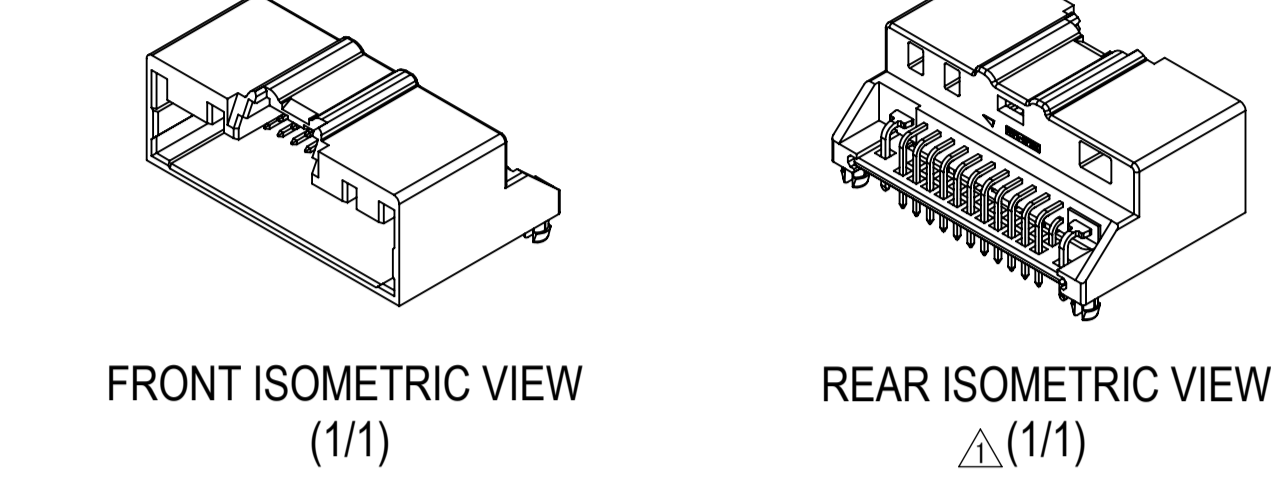


ASSEMBLY PART NUMBER	NO.	PART NUMBER	PART NAME	MATERIAL	COLOR	QTY.
SEE TABLE 2 △	1	7186-2047-30	24P HYBRID 2x2.8 YESC + 22x0.64 TYCO GEN Y UNSEALED PCB MALE (H) HOUSING	PPA-GF16	BLACK	1
	2	7173-0595	24P HYBRID 2x2.8 YESC + 22x0.64 TYCO GEN Y UNSEALED PCB MALE (H) ALIGNMENT PLATE	PPA-GF16	NATURAL	1
	3	7114-5776-02	0.64 KAIZEN PCB (H) TERMINAL (Pb FREE) TYPE A	COPPER ALLOY	N/A	11
	4	7114-5777-02	0.64 KAIZEN PCB (H) TERMINAL (Pb FREE) TYPE B	COPPER ALLOY	N/A	11
	5	7114-5778-02	2.8 YESC (H) PCB TERMINAL (Pb FREE)	COPPER ALLOY	N/A	2

YAZAKI ASSEMBLY PART NUMBER	TRAY PACKAGING NUMBER
7386-2047-30	CELL PACKED
7397-1189-30	TRYSTY003



- △ NOTES:
- PARTS MUST BE PURCHASED FROM YAZAKI.
  - PARTS MUST BE FREE OF BURRS AND SHARP EDGES THAT MAY BE DETRIMENTAL TO SATISFACTORY ASSEMBLY, SAFE HANDLING OR FUNCTION OF THE PART.
  - MATING PART NUMBER: 7287-2047-30
  - PART SATISFIES USCAR-2, REV. 4, MAY 2004. (T2, V1, S1).
  - PART TO COMPLY WITH YPES-31-038 REQUIREMENTS.
  - AFTER BEING PRESSED IN, THE TERMINALS MUST BE FREE OF PLASTIC RESIN.
  - THE TERMINALS MUST NOT BE LOOSE AFTER BEING INSERTED UNDER PRESSURE.
  - M2.3x5, HEAD φ4.0 SCREW RECOMMENDED FOR OPTIONAL HOLE FOR SCREW HOLE MOUNTING FEATURE.
  - THIS DRAWING IS TO BE USED FOR INTERNAL YAZAKI PSW SUBMISSION.
  - ACCEPTABLE PCB THICKNESS RANGE = 1.30 TO 1.80mm

△	08-23-2018	ADDED TABLE 2, NEW PACKAGING OPTION AND NEW TOLERANCES, UPDATES NOTES AND DELETED DIMENSIONS	C18-A778	EH
-	10-22-2008	NEW	C08-AA60	MMR
LET	DATE	REVISION RECORD	NO.	CHKD

GENERAL TOLERANCE											
	10MAX	50MAX	100MAX	250MAX	250OVR	R5 MAX	R10 MAX	R20 MAX	R20 OVR	ANGLE	ECCENT
A	±0.15	±0.2	±0.3	±0.5	±0.75					±3°	0.1
B	±0.2	±0.3	±0.55	±0.95	±1.4	±0.2	±0.3	±0.5	±2.5	±3°	0.1
(C)	±0.3	±0.5	±0.8	±1.4	±2					±3°	0.15
SPECIFIED										MASS	(12.0)g

CUSTOMER PART NO.	CUSTOMER DWG NO.	MATL SPEC.	SEE TABLE	TREAT. & FIN.	N/A
OFFICE	YNA	TRIAL PART NO.	NAME 24P HYBRID 2x2.8 YESC + 22x0.64 TYCO GEN Y UNSEALED PCB MALE (H) HEADER ASSEMBLY		
VENDOR		DWG DATE	10-22-2008	UNIT	mm
VENDOR NO.		DWG SOURCE	7386-2047-30/M	SCL	2/1
		APPROVED	CHECKED	DESIGN	DRAWN
					K. LAZAR
					04-05-2007
					7386-2047-30, ETC.
					7386-2047-30:R
					YAZAKI CORPORATION

# Mouser Electronics

Authorized Distributor

Click to View Pricing, Inventory, Delivery & Lifecycle Information:

[Yazaki:](#)

[7386204730](#)