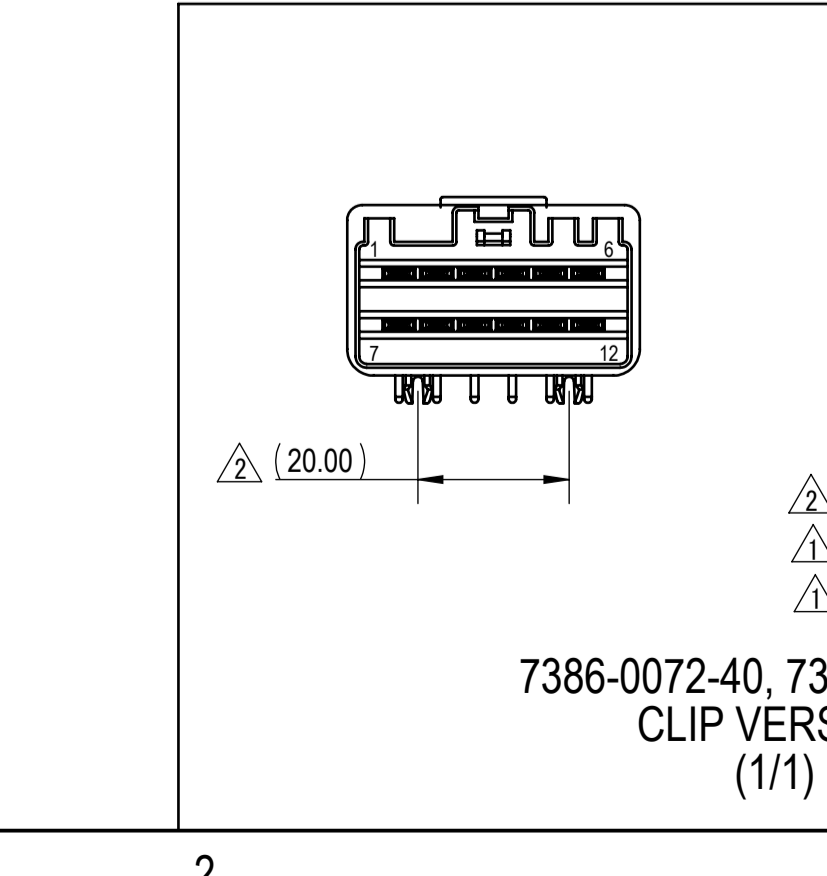
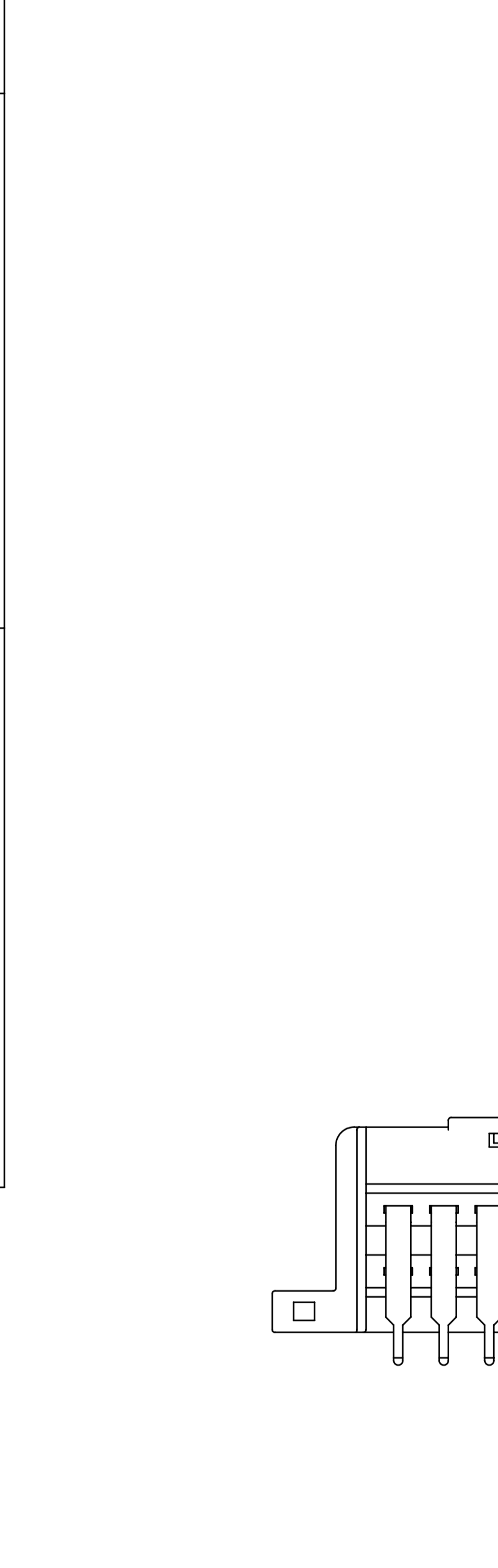
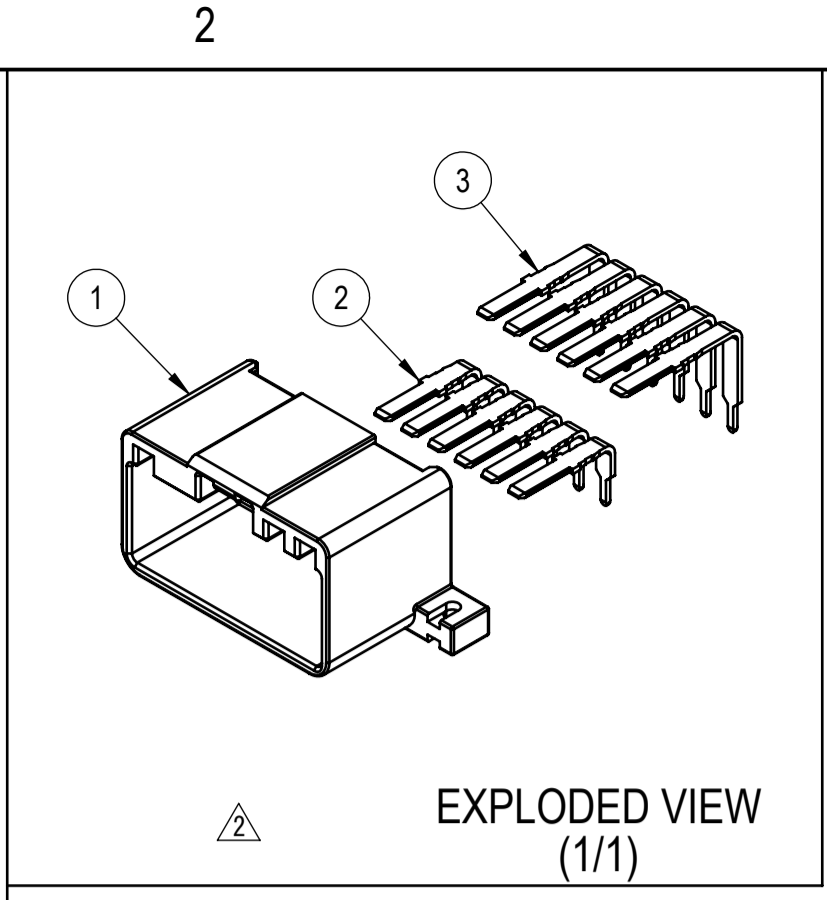


05-23-2023	REDRAWN TO LATEST STANDARDS. REVISED DIMENSIONS. ADDED SPECIAL TRAY VERSION AND REVISED NOTE 5	C23-A327	F.R.
11-08-2006	REVISE DIMENSIONS	C06-AE05	M.M.R.
02-28-2006	NEW	C06-A286	J.M.
LET	DATE	REVISION RECORD	NO. CHKD



ASSEMBLY PART NUMBER	NO.	PART NUMBER	PART NAME	MATERIAL	COLOR	QUANTITY	L2	L3	R1
SEE TABLE 2	①	SEE TABLE 2	12P 2.8mm UNSEALED MALE PCB HOUSING	PPA-GF16	LIGHT GRAY	1	N/A	N/A	N/A
	②	7114-5107-02	2.8mm UNSEALED MALE PCB TERMINAL (TYPE-A)	COPPER ALLOY	N/A	6	17.20	10.30	1.00
	③	7114-5108-02	2.8mm UNSEALED MALE PCB TERMINAL (TYPE-B)	COPPER ALLOY	N/A	6	21.80	17.10	1.00

ASSEMBLY PART NUMBER	HOUSING PART NUMBER	DESCRIPTION	KEYWAY	CPA	COLOR	MASS (g)
7386-0074-40	7186-0074-40	BOLT VERSION	A	N	LIGHT GRAY	(7.93)
7386-0072-40	7186-0072-40	CLIP VERSION	A	N	LIGHT GRAY	(7.57)
7397-9237-40	7186-0072-40	FOXCONN TRAY	A	N	LIGHT GRAY	(7.57)

NOTES:
 1. PARTS MUST BE PURCHASED FROM YAZAKI.
 2. PARTS MUST BE FREE OF FLASH AND IMPERFECTIONS THAT AFFECT FUNCTION.
 3. AFTER BEING PRESSED IN, THE TERMINALS MUST BE FREE OF PLASTIC RESIN.
 4. THE TERMINALS MUST NOT BE LOOSE AFTER BEING INSERTED UNDER PREASURE.
 5. MATING PART NUMBER: 7289-9152-40 WITH CPA (PREFERRED)
 7283-5567-40
 6. PART SATISFIES USCAR-2, REV. 4, MAY 2004, (T2/V1/S1/MF3)
 7. PART TO COMPLY WITH YPES-31-038 REQUIREMENTS.
 8. THIS DRAWING IS TO BE USED FOR INTERNAL YAZAKI PSW SUBMISSION.

CUSTOMER PART NO.		CUSTOMER DWG NO.		MATERIAL SPEC.		TREAT. & FIN.	
OFFICE YNA		TRIAL PART NO.		NAME		N/A	
VENDOR		VENDOR NO.		12P 2.8mm UNSEALED MALE PCB ASSEMBLY (LEAD FREE)			
VENDOR NO.		DWG SOURCE		DWG DATE		PART NO. CH. CODE	
VENDOR NO.		7386-0074-40:M		02-28-2006		7386-0074-40, ETC.	
VENDOR NO.		APPROVED		CHECKED		DWG NO.	
VENDOR NO.		DEREK HARRIS		FERNANDA RASCON		7386-0074-40:R	
VENDOR NO.		01-24-2006		05-23-2023		YAZAKI CORPORATION	

GENERAL TOLERANCE									
	10MAX	50MAX	100MAX	250MAX	250OVR	R5 MAX	R10 MAX	R20 MAX	R20 OVR
A	±0.15	±0.20	±0.30	±0.50	±0.75	±0.20	±0.30	±0.50	±2.50
B	±0.20	±0.30	±0.55	±0.95	±1.40				
C	±0.30	±0.50	±0.80	±1.40	±2.00				
SPECIFIED									

UNIT		SCL		ANGLE		PART NO. CH. CODE	
mm		2/1		3		7386-0074-40, ETC.	
DWG DATE		DESIGN		DRAWN		DWG NO.	
02-28-2006		DEREK HARRIS		FERNANDA RASCON		7386-0074-40:R	
VENDOR NO.		01-24-2006		05-23-2023		YAZAKI CORPORATION	

Mouser Electronics

Authorized Distributor

Click to View Pricing, Inventory, Delivery & Lifecycle Information:

[Yazaki:](#)

[7386007240](#)