

1

2

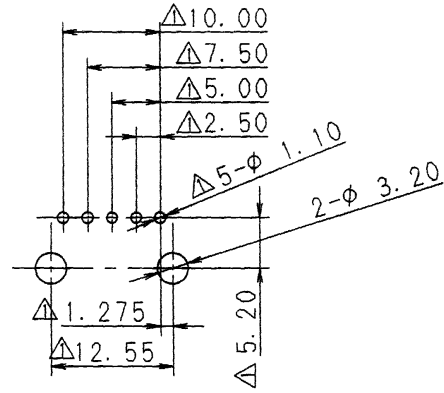
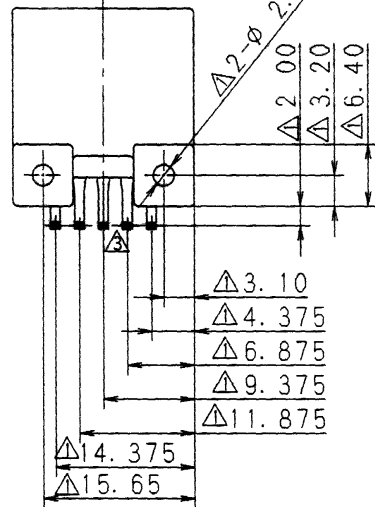
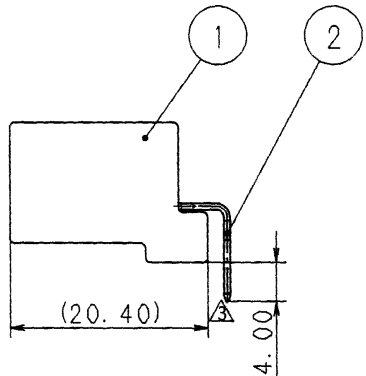
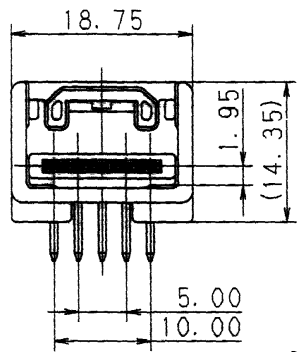
3

TABLE 1

ASSEMBLY PART NO AND CH. CODE	NO.	PART NO. AND CH. CODE	MATERIAL	COLOR	QTY.
△7382-5841 ETC.	①	SEE TABLE 2	PBT	SEE TABLE 2	1
	②	△7114-4235-02	BRASS		5

TABLE 2

ASSEMBLY PART NO. AND CH. CODE	PART NO. AND CH. CODE	COLOR
△7382-5841.△	7182-5841	NATURAL
△7382-5841-30.△	7182-5841-30	BLACK
△7382-5841-40.△	7182-5841-40	LIGHT GRAY



PRINT CIRCUIT BOARD

注記

- 1 嵌合相手品番: 7283-5830 ETC
- 2. 適用ねじ: JIS B 1122 ねじ一種 3X6

NOTES

- 1. MATING PART NO . 7283-5830 ETC
- 2. APPLICABLE SCREW JIS B 1122 PAN I RANK 3X6

△	00.09.29	ADDED COLOR NO.	C00-M245	S. S
△	98.10.31	CHANGED FORM & ADDED COLOR NO., △	C98-M838	T. M
△	98.07.17	CHANGED TERMINAL PART NO.	C98-M270	T. M
△	98.06.26	ELIMINATED COLOR NO. & CHANGED DIMENSION	C98-M150	T. M
	97.06.06	NEW	C97-M037	H. K
LET	DATE	REVISION RECORD	NO	CHKD

CUSTOMER		MATL. SPEC	TREAT. & FIN.
CUSTOMER PART NO	CUSTOMER DWG NO.	SEE TABLE 1	
OFFICE	TRIAL PART NO	NAME	040Ⅲ 5P PCB CONNECTOR
VENDOR			HOUSING MALE ASSEMBLY
VENDOR NO.			

GENERAL TOLERANCE								VENDOR NO.					PART NO CH CODE	DWG NO	SET DWG NO
10MAX	50MAX	100MAX	250MAX	2500VR	ANGLE	ECCENT	DWG TYPE	DWG SOURCE	DWG DATE	UNIT	SCL	ANGLE			
A ±0.15	±0.2	±0.3	±0.5	±0.75	±30'	0.1	R	NEW	97.05.26	mm	2/1	3	△7382-5841 ETC.		
B ±0.2	±0.3	±0.55	±0.95	±1.4	±30'	0.1	APPROVED	CHECKED	CHECKED	DESIGN		DRAWN	7382-5841:R		
(C) ±0.3	±0.5	±0.8	±1.4	±2	±30'	0.15									

SPECIFIED

MASS

00.10.06 00.10.05 00.10.02 96.11.26 00.09.29

藤 梨 多 K. SATO FUTSUKI 杉山

YAZAKI CORPORATION

ISSUE MARK

2

3

Mouser Electronics

Authorized Distributor

Click to View Pricing, Inventory, Delivery & Lifecycle Information:

[Yazaki:](#)

[73825841](#)