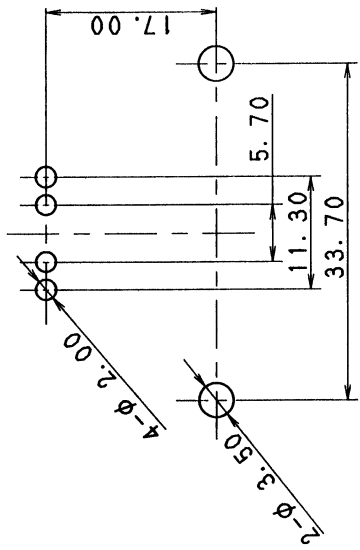
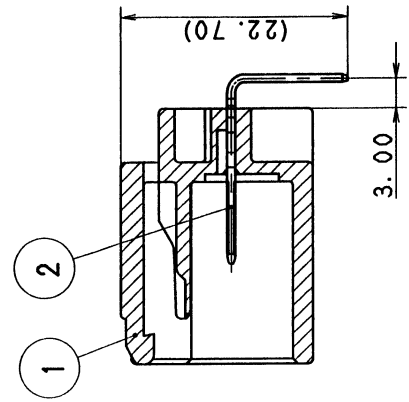
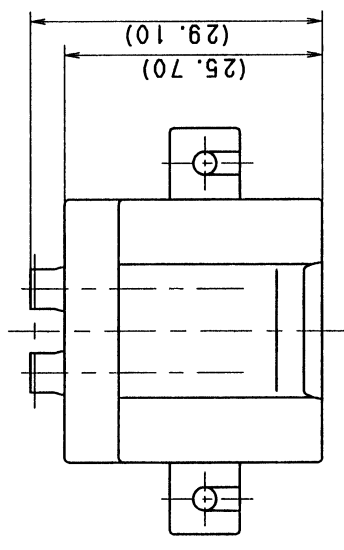


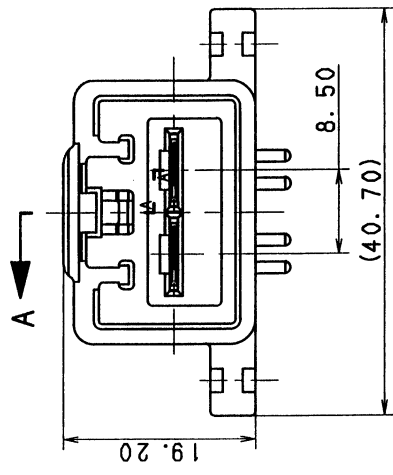
ASS'Y PART NO. & C. C. NO.		PART NO.		MATERIAL		COLOR		QTY.	
7382-5597-40. B		①	7182-5597-40	PBT		LIGHT GRAY		1	
		②	7114-4123-02	COPPER ALLOY (TIN PLATED)				2	

注記
 1. 嵌合相手品番 : 7283-5590-40
 NOTE
 1. MATING PART NO. : 7283-5590-40



PRINT CIRCUIT BOARD

SEC. A-A



MATERIAL SPEC.		SEE TABLE		TREAT. & FIN.		ISSUE MARK	
NAME		6.3 SYSTEM CONNECTOR		PART NO.		7382-5597-40. B	
VENDOR		YAZAKI CORPORATION		CH. CODE		7382-5597-40:R	
DWG NO.		7382-5597-40:R		DRAWN		ISHINO 石野	
CHECKED		IWAHORI 岩堀		DESIGN		DRAWN	
APPROVED		A 1		CHECKED		DESIGN	
DATE		97.09.24.		DWG DATE		97.04.15	
REVISION RECORD		NO.		UNIT		SCL ANGLE	
GENERAL TOLERANCE		50MAX 100MAX 250MAX		2500VR		ANGLE	
A ±0.15		±0.3		±0.5		±0.75	
B ±0.2		±0.3		±0.5		±1.0	
C ±0.3		±0.5		±0.95		±1.4	
SPECIFIED		±0.8		±1.4		±2	
MASS		9		97.09.23		96.12.26	
97.09.24.		97.09.23		96.12.26		97.09.10	

3

2

1

B

A

1

2

3

Mouser Electronics

Authorized Distributor

Click to View Pricing, Inventory, Delivery & Lifecycle Information:

[Yazaki:](#)

[7382559740](#)