

1

2

3

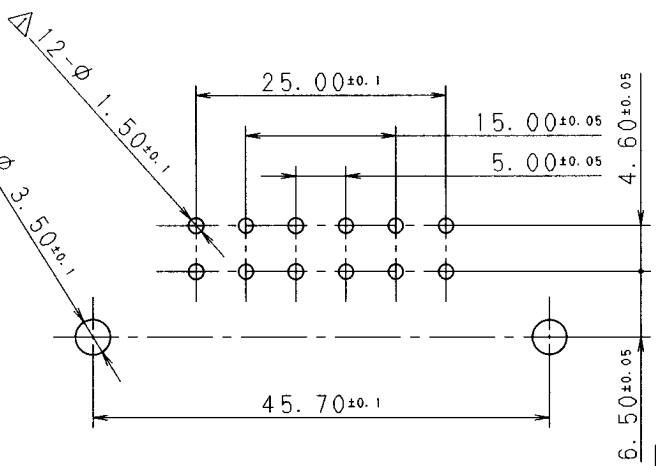
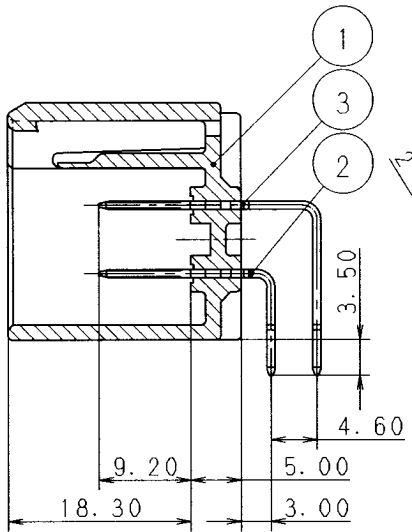
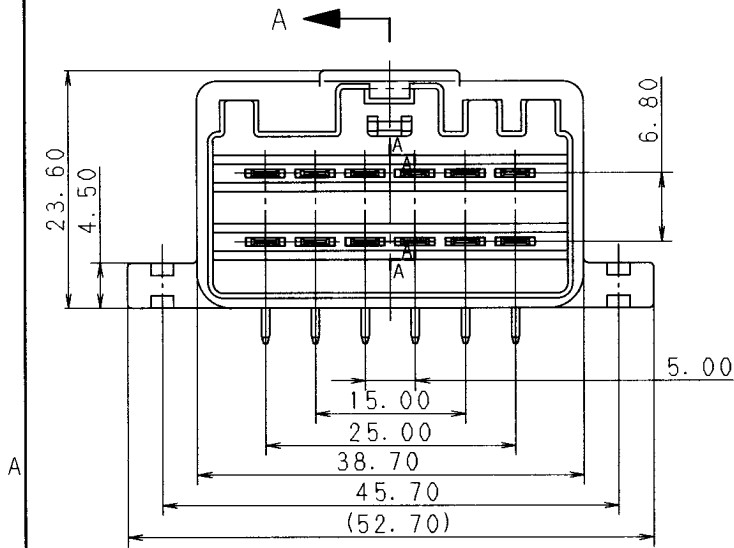
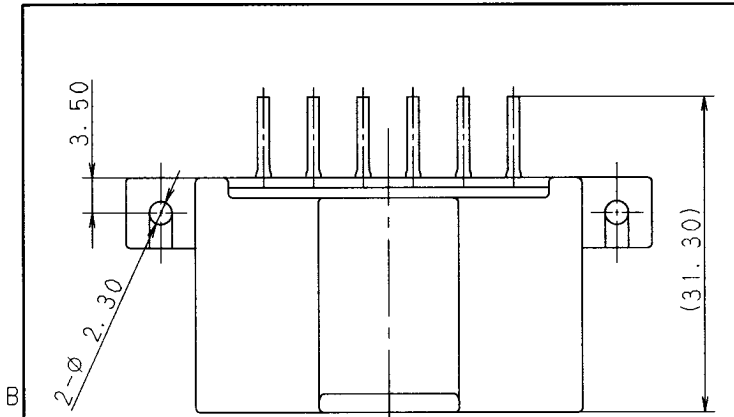
ASS'Y PART NO.	NO.	PART NO.	MATERIAL	COLOR	QTY.
7382-5568-40, A	①	7182-5568-40	PBT	LIGHT GRAY	1
	②	7114-4182-02	BRASS TIN PLATED	---	6
	③	7114-4183-02	BRASS TIN PLATED	---	6

注記

1. 嵌合相手品番 : 7283-5567-40

NOTE

1. MATING PART NO. : 7283-5567-40



PRINT CIRCUIT BOARD

SEC. A-A

ISSUE MARK

				CUSTOMER				MATT. SPEC. SEE TABLE			TREAT. & FIN.							
				CUSTOMER PART NO.				CUSTOMER DWG NO.										
△	97.06.17	CHANGED TERMINAL ETC. A	C97-M238	H. K					NAME △ 2.8 SYSTEM CONNECTOR									
	96.11.16	NEW	C96-N067	H. K	OFFICE				TRIAL PART NO.									
LET	DATE	REVISION RECORD	NO.	CHKD	VENDOR				12P PCB (H) ASS'Y									
GENERAL TOLERANCE					VENDOR NO.													
	10MAX	50MAX	100MAX	250MAX	2500VR	ANGLE	ECCENT	DWG TYPE	DWG SOURCE	DWG DATE	UNIT	SCL	ANGLE	PART NO.	7382-5568-40, A			
A	±0.15	±0.2	±0.3	±0.5	±0.75	±30'	0.1	R	NEW	96.11.16	mm	2/1	3	CH. CODE				
B	±0.2	±0.3	±0.55	±0.95	±1.4	±30'	0.1	APPROVED	CHECKED	CHECKED	DESIGN	DRAWN		DWG NO.	7382-5568-40 : R			
©	±0.3	±0.5	±0.8	±1.4	±2	±30'	0.15	遠藤	植村	花繁	T. SUZUKI	SATOH		SET DWG NO.				
SPECIFIED					MASS		9		97.06.24		97.06.24		97.06.23		96.10.31		97.06.17	

YAZAKI CORPORATION

1

2

3



Mouser Electronics

Authorized Distributor

Click to View Pricing, Inventory, Delivery & Lifecycle Information:

[Yazaki:](#)

[7382556840](#)