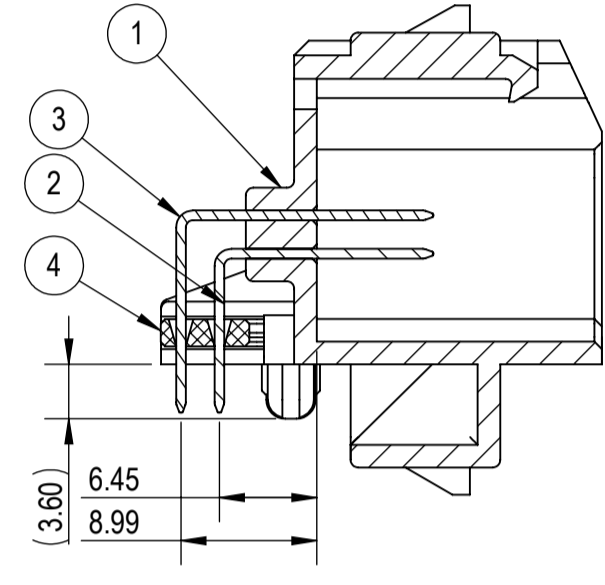
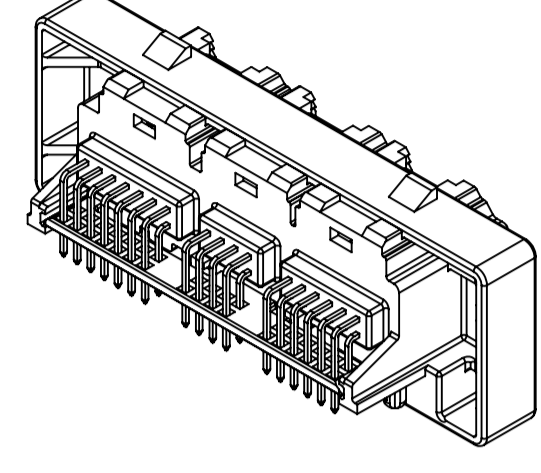
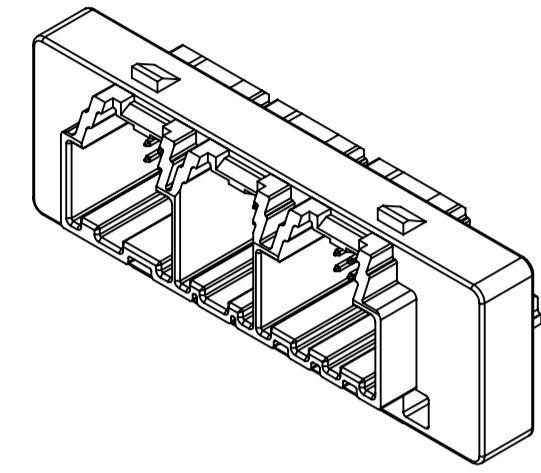
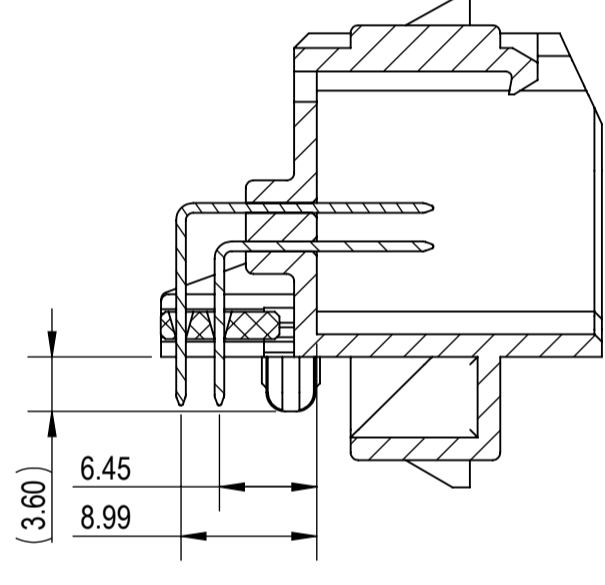


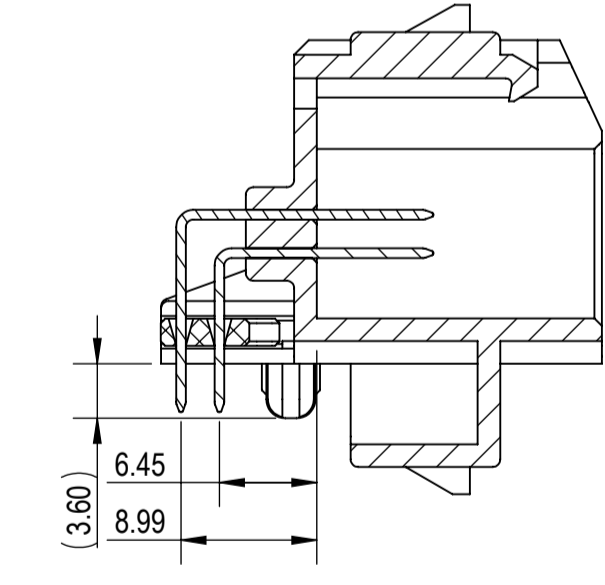
SUB ASSEMBLY PART NUMBER	NO.	PART NUMBER	PART NAME	MATERIAL	COLOR	QUANTITY
7325-2709-3R	1	7125-4271-30	34P YESC 0.64 PCB CONNECTOR HOUSING (W/ FLANGE)	PBT+GF	BLACK	1
	2	7114-3121-R2	0.64 PCB TERMINAL (LEAD-FREE)	BRASS	N/A	17
	3	7114-3122-R2	0.64 PCB TERMINAL (LEAD-FREE)	BRASS	N/A	17
	4	7173-0139	20P, 34P YESC KAIZEN 0.64 UNSEALED HEADER ALIGNMENT PLATE	PBT+GF	NATURAL	1



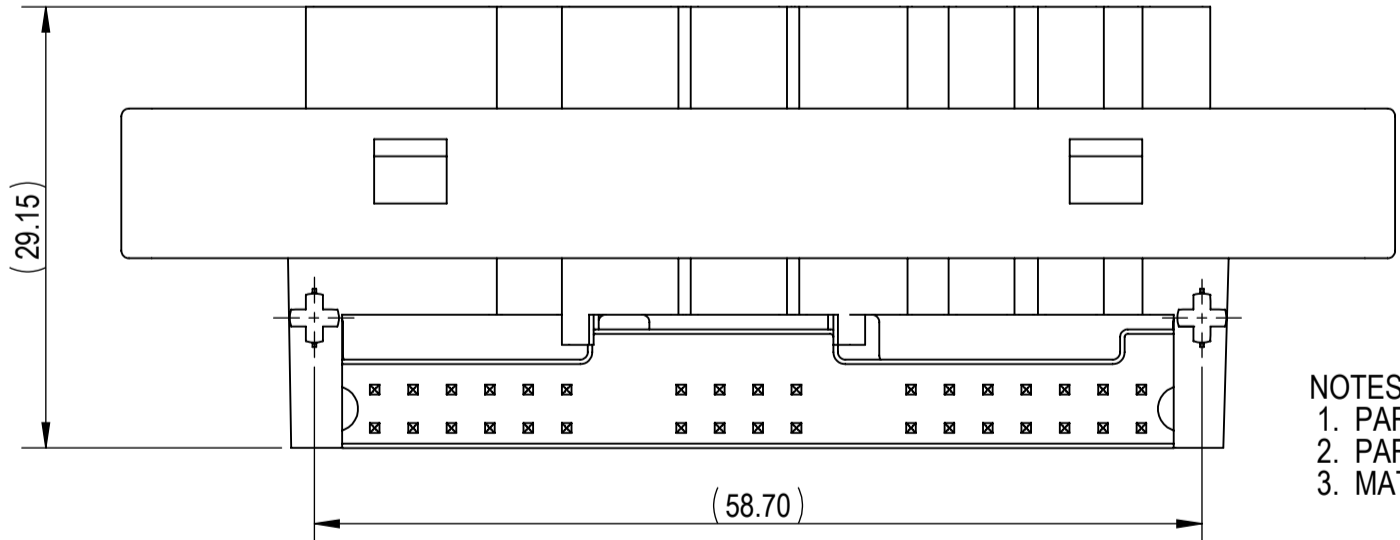
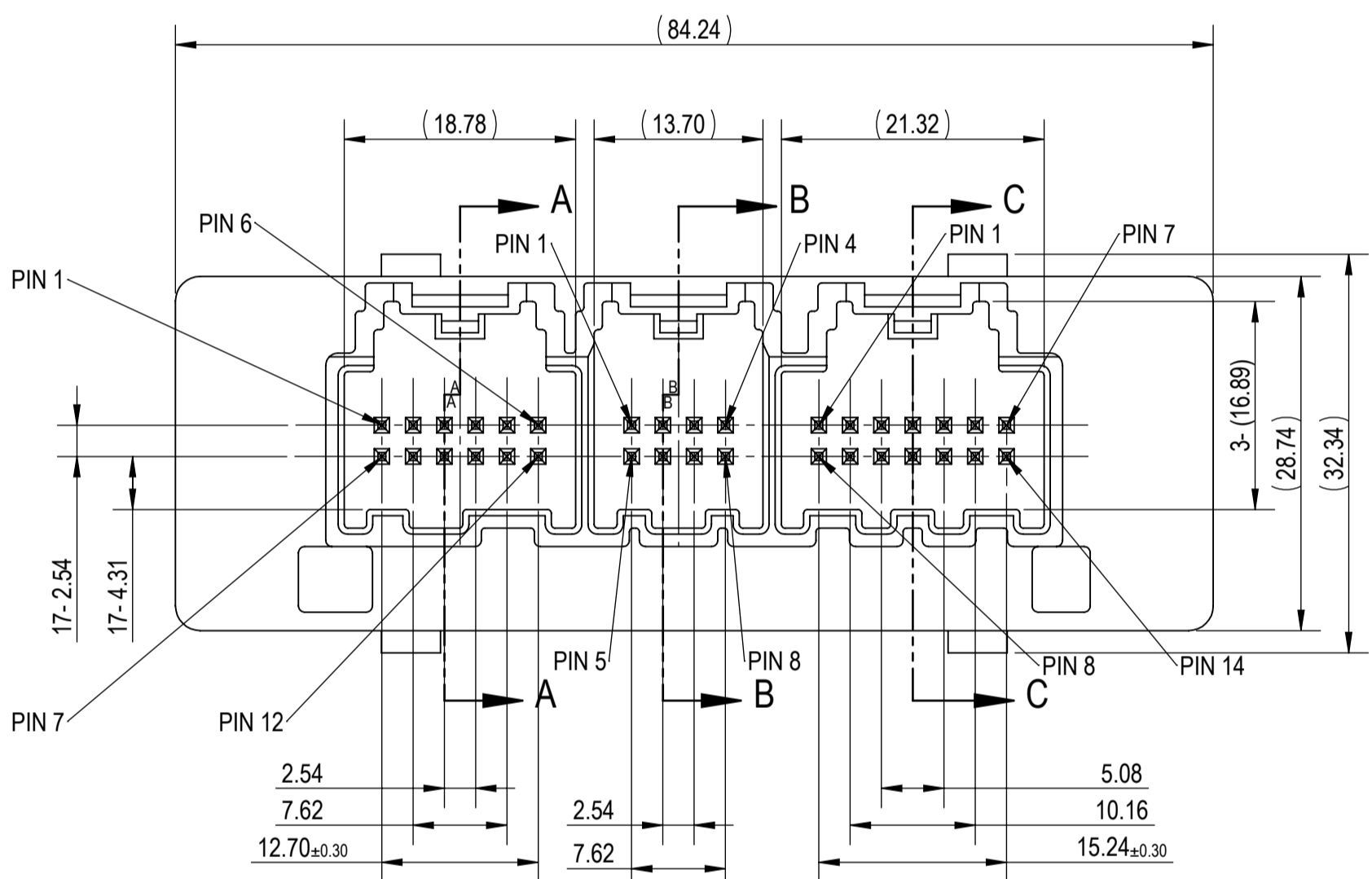
SECTION A-A (2 / 1)



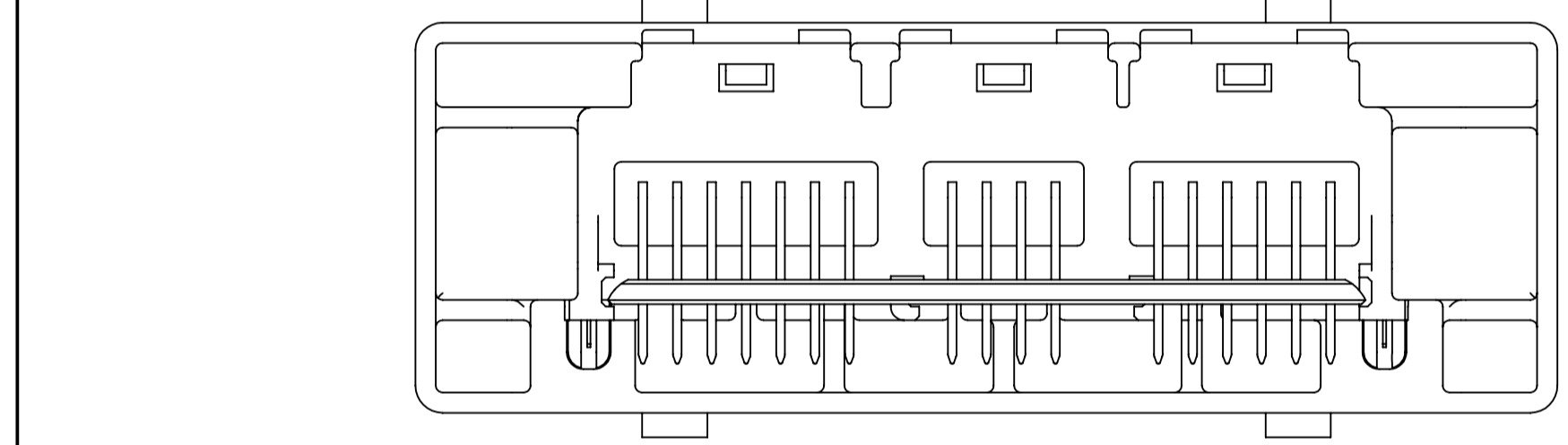
SECTION B-B (2 : 1)



SECTION C-C (2 : 1)



- NOTES:
- PART MUST BE PURCHASED FROM YAZAKI.
  - PART MUST BE FREE OF FLASH AND OTHER IMPERFECTIONS THAT AFFECT FUNCTION.
  - MATING PART NUMBER:  
 12P 0.64 POCKET: 7283-9052-30, ETC.  
 8P 0.64 POCKET: 7283-9029-40, ETC.  
 14P 0.64 POCKET: 7283-9068-90, ETC.
  - CONNECTOR INTERFACE PER USCAR:  
 12P 0.64 POCKET: 064-U-012-2-Z02, REV E  
 8P 0.64 POCKET: 064-U-008-2-Z02, REV F  
 14P 0.64 POCKET: 064-U-014-2-Z01, REV C
  - PART SATISFIES USCAR-2 REVISION 4, MAY 2004 (T2, V1, S1).
  - PART TO COMPLY WITH YPES-31-038 REQUIREMENTS.
  - THIS DRAWING IS TO BE USED FOR INTERNAL YAZAKI PSW SUBMISSION.
  - AFTER BEING PRESSED IN, THE TERMINALS MUST BE FREE OF PLASTIC RESIN.
  - THE TERMINALS MUST NOT BE LOOSE AFTER BEING INSERTED UNDER PRESSURE.



LET	DATE	REVISION RECORD	NO.	CHKD
-	08-18-2016	NEW	C16-A590	-

GENERAL TOLERANCE									
	10MAX	50MAX	100MAX	250MAX	250OVR	R5 MAX	R10 MAX	R20 MAX	R20 OVR
A	±0.15	±0.2	±0.3	±0.5	±0.75				
B	±0.2	±0.3	±0.55	±0.95	±1.4	±0.2	±0.3	±0.5	±2.5
C	±0.3	±0.5	±0.8	±1.4	±2				
SPECIFIED									MASS (23.5g)

CUSTOMER		MTRL SPEC.		TREAT. & FIN.	
CUSTOMER PART NO.	CUSTOMER DWG NO.	SEE TABLE		N/A	
OFFICE YNA	TRIAL PART NO.	NAME 34P YESC KAIZEN 0.64 UNSEALED PCB CONNECTOR			
VENDOR		SUB ASSEMBLY (W/ FLANGE) LEAD-FREE COMPLIANT			
VENDOR NO.		PART NO.	7325-2709-3R		
		CH. CODE			
		DWG NO.	7325-2709-3R-R		SET DWG NO.
		<b>YAZAKI CORPORATION</b>			
		DESIGN	DAVID PERRY	DRAWN	DAVID ZYBACH
		APPROVED	10-18-2006	CHECKED	08-18-2016

ISSUE MARK

# Mouser Electronics

Authorized Distributor

Click to View Pricing, Inventory, Delivery & Lifecycle Information:

[Yazaki:](#)

[732527093R](#)