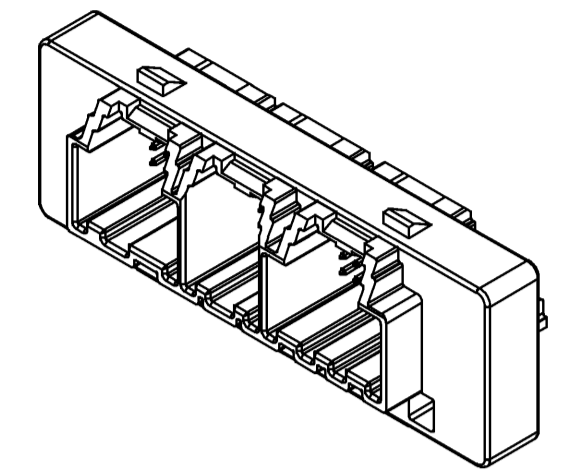
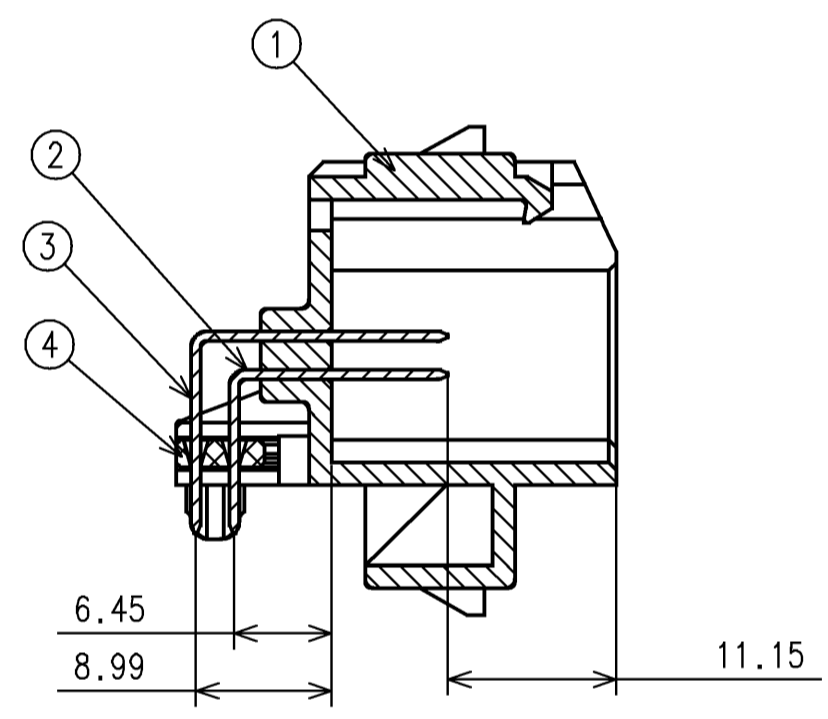


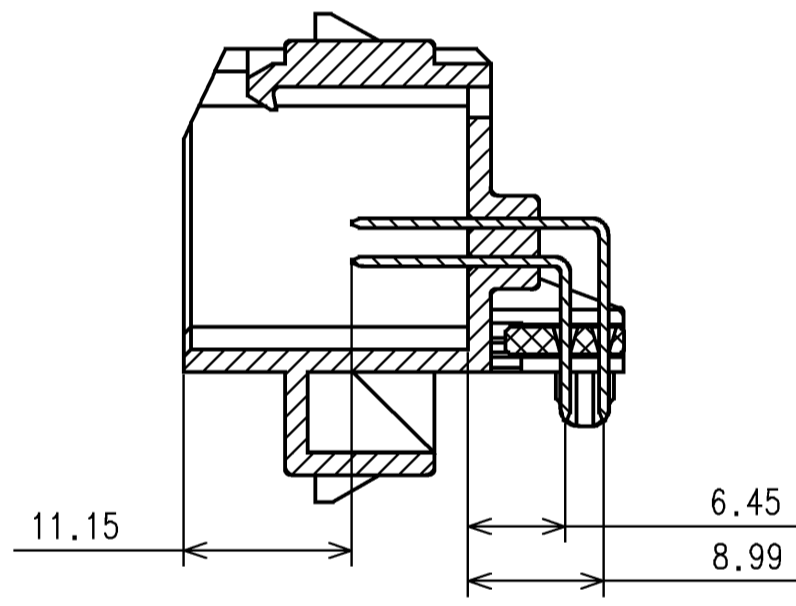
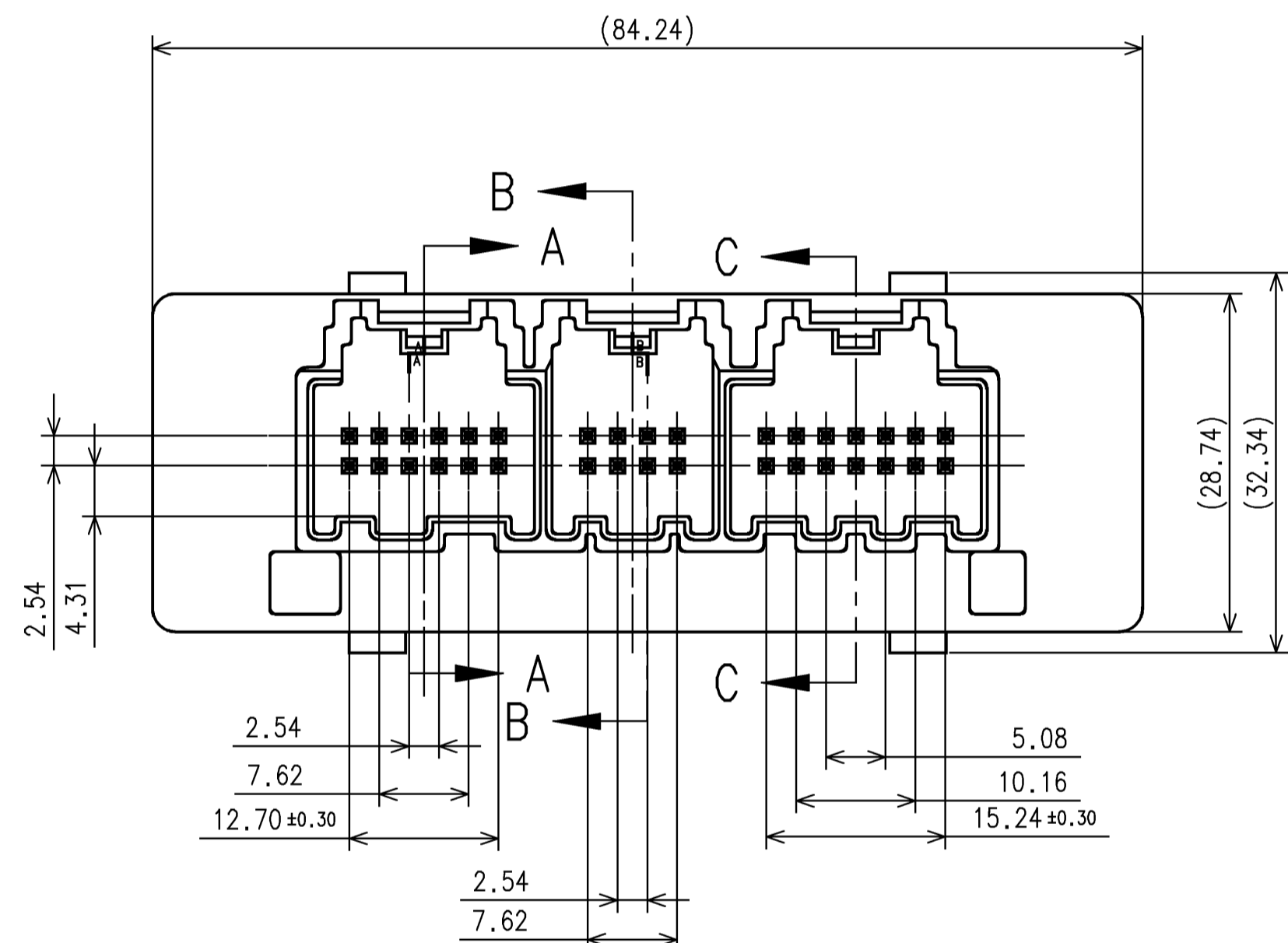
SUB ASSEMBLY PART NUMBER	NO.	PART NUMBER	PART NAME	MATERIAL	COLOR	QUANTITY
7325-2709-30	①	7125-2709-30	34P YESC 0.64 PCB CONNECTOR HOUSING (W/ FLANGE)	PBT + GF	BLACK	1
	②	7114-3121-02	0.64 PCB TERMINAL	BRASS	N/A	17
	③	7114-3122-02	0.64 PCB TERMINAL	BRASS	N/A	17
	④	7173-0139	20P, 34P YESC KAIZEN 0.64 UNSEALED HEADER ALIGNMENT PLATE	PBT + GF	NATURAL	1



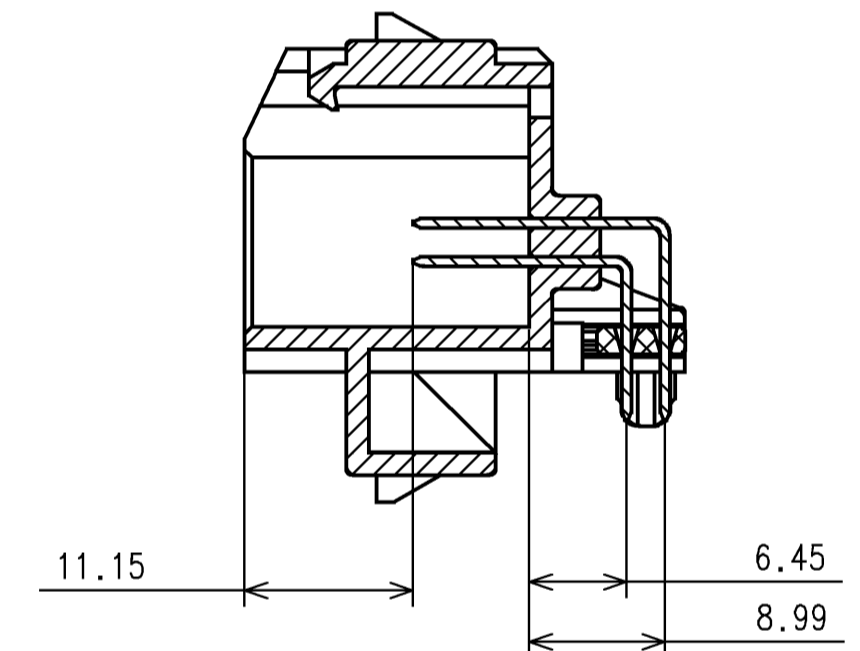
(1/1)



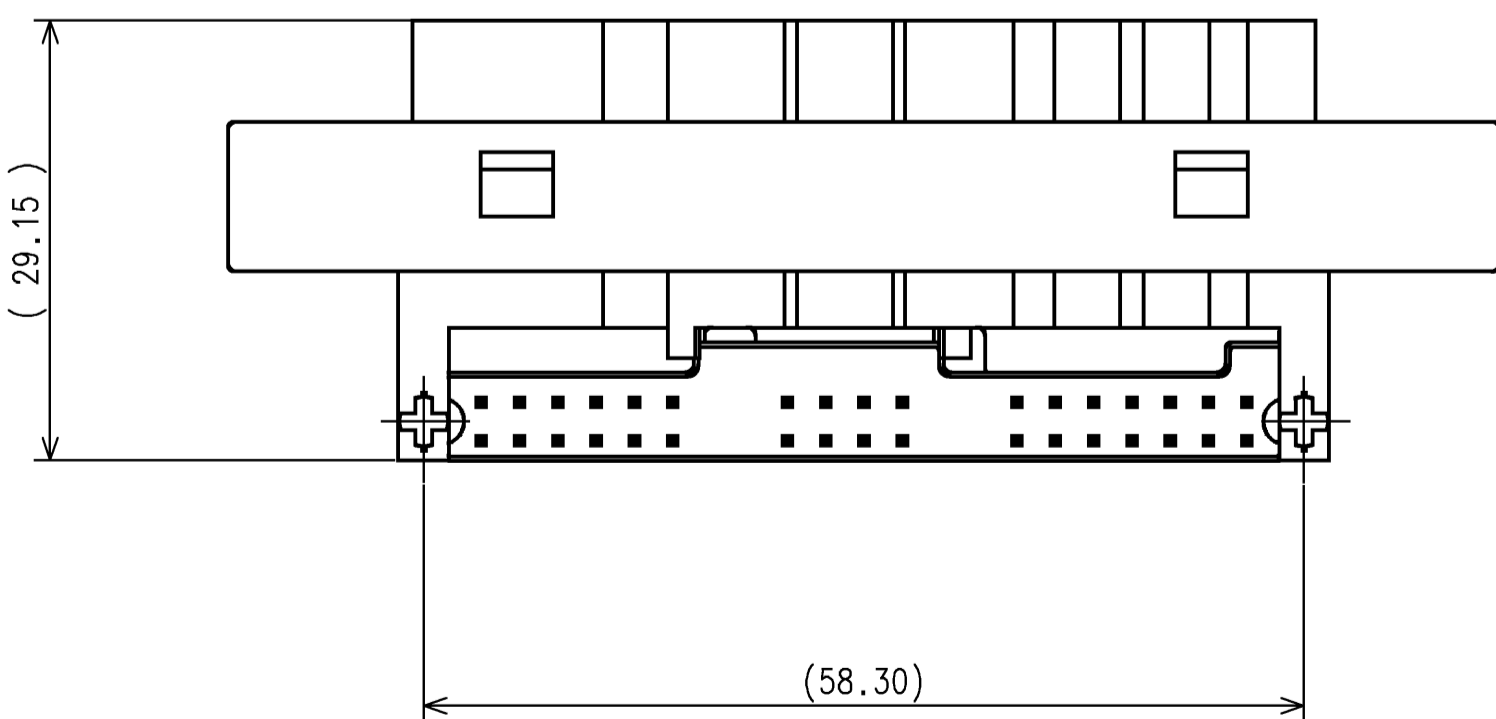
SECTION A-A



SECTION B-B



SECTION C-C



- NOTES:
- PARTS MUST BE PURCHASED FROM YAZAKI.
 - PARTS MUST BE FREE OF FLASH AND IMPERFECTIONS THAT AFFECT FUNCTION.
 - MATING PART NUMBERS
 12P 0.64 POCKET: 7283-9052-30
 8P 0.64 POCKET: 7283-9029-40
 14P 0.64 POCKET: 7283-9068-90
 - PART DESIGNED TO SATISFY USCAR-2 REV 4 MAY, 2004 (CLASS 2).
 - PART TO COMPLY WITH YPES-31-038 REQUIREMENTS.
 - CONNECTOR INTERFACE PER USCAR
 12P 0.64 POCKET: 064-U-012-2-Z02, REV E
 8P 0.64 POCKET: 064-U-008-2-Z02, REV F
 14P 0.64 POCKET: 064-U-014-2-Z01, REV C
 - THIS DRAWING IS TO BE USED FOR INTERNAL YAZAKI PSW SUBMISSION.
 - AFTER BEING PRESSED IN, THE TERMINALS MUST BE FREE OF PLASTIC RESIN
 - THE TERMINALS MUST NOT BE LOOSE AFTER BEING INSERTED UNDER PRESSURE.

ISSUE MARK

CUSTOMER	CUSTOMER PART NO.	CUSTOMER DWG NO.	MATL SPEC:	SEE TABLE	TREAT. & FIN.
OFFICE	YNA	TRIAL PART NO.	NAME	34P YESC KAIZEN 0.64 UNSEALED PCB CONNECTOR SUB ASSY (WITH FLANGE)	
VENDOR	VENDOR NO.		PART NO.	7325-2709-30	
GENERAL TOLERANCE			DWG TYPE	DWG SOURCE	DWG DATE
A	±0.15	±0.2	±0.3	±0.5	±0.75
B	±0.2	±0.3	±0.55	±0.95	±1.4
Ⓢ	±0.3	±0.5	±0.8	±1.4	±2.0
SPECIFIED			APPROVED	CHECKED	CHECKED
WEIGHT			(23.5)g	DESIGN	DRAWN
			MICHAEL PERRY	HECTOR COLMENERO	10-18-2006
			10-18-2006	02-17-2014	02-17-2014
			YAZAKI CORPORATION		

LET	DATE	REVISION	RECORD	NO.	CHKD
-	02-17-2014	NEW		C13-A620	H.C.

Mouser Electronics

Authorized Distributor

Click to View Pricing, Inventory, Delivery & Lifecycle Information:

[Yazaki:](#)

[7325270930](#)