

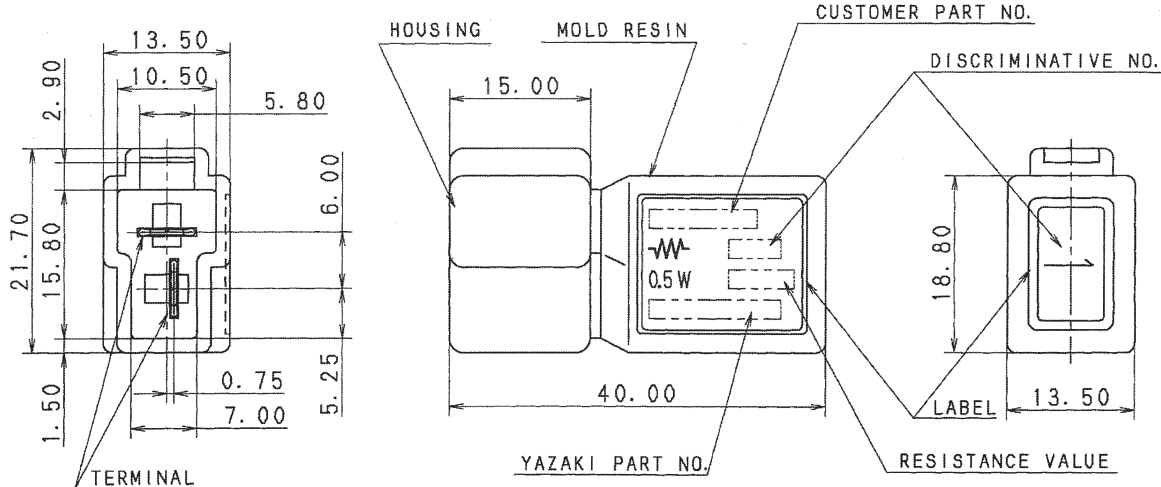
△ 注 記

- 1) 定格電力 : 0.5W
- 2) 抵抗値許容差 : ±5%
- 3) 嵌合相手品番 : 7123-2128 又は 7123-2825
- 4) 使用温度 : -15℃~+75℃
- 5) 本部品は鉛フリータイプ

NOTES

- 1) POWER RATING : 0.5W
- 2) RESISTANCE TOLERANCE : ±5%
- 3) MATING PART NO. : 7123-2128 OR 7123-2825
- 4) OPERATING TEMPERATURE: -15℃~+75℃
- 5) THIS PART IS LEAD-FREE

YAZAKI PART NO.	RESISTANCE VALUE	HOUSING COLOR	MOLD COLOR	DISCRIMINATIVE NO.
7321-9917-0R	270 Ω	NATURAL	BLACK	1
7321-9918-0R	510 Ω	GREEN	BLACK	2
7321-9919-0R	820 Ω	YELLOW	BLACK	3
7321-9920-0R	1.3 kΩ	BROWN	BLACK	4
7321-9921-0R	2.0 kΩ	NATURAL	BLUE	5
7321-9922-0R	3.3 kΩ	GREEN	BLUE	6
7321-9923-0R	5.6 kΩ	YELLOW	BLUE	7
7321-9924-0R	15 kΩ	BROWN	BLUE	8
7321-9981-0R	390 Ω	NATURAL	GRAY	9
7321-9982-0R	4.3 kΩ	GREEN	GRAY	10
7321-9983-0R	9.1 kΩ	YELLOW	GRAY	11
7321-9985-0R	120 Ω	BROWN	GRAY	12
7321-9988-0R	10 kΩ	NATURAL	GREEN	13
7321-9989-0R	100 kΩ	GREEN	GREEN	14



**ISSUED**  
 YAZAKI CORPORATION  
 R&D DIVISION  
 RESOURCE CENTER  
 2019/08/19  
 ISSUE MARK

△ 16.06.22	ADD PART NO.	C16-J229	M. N	CUSTOMER	CUSTOMER PART NO.	CUSTOMER DWG NO.	MATL. SPEC.	TREAT. & FIN.							
△ 07.05.15	LEAD-FREE	C07-J383	Y. N	NAME				RESISTOR MOLD							
99.09.08	N E W	C99-Q849	H. M	OFFICE	TRIAL PART NO. OR PRODUCT NO.										
LET	DATE	REVISION RECORD	NO.	CHKD	VENDOR										
GENERAL TOLERANCE				VENDOR NO.											
	10MAX	50MAX	100MAX	250MAX	250OVR	ANGLE	ECCENT	DWG TYPE	DWG SOURCE	DWG DATE	UNIT	SCL	ANGLE	PART NO.	7321-9917-0R etc. △
A	±0.15	±0.2	±0.3	±0.5	±0.75	±30'	0.1	R	NEW	99.09.08	mm	2	1	3	
B	±0.2	±0.3	±0.55	±0.95	±1.4	±30'	0.1	APPROVED	CHECKED	CHECKED	DESIGN	DRAWN		DWG NO.	7321-9917-0R:R △
◎	±0.3	±0.5	±0.8	±1.4	±2	±30'	0.15	丸尾 早川 丸尾 H. MARUO 長尾					SET DWG NO.		
SPECIFIED				MASS	g	16.6.22	76.06.22	16.06.22	99.09.08	16.06.22	YAZAKI CORPORATION				

# Mouser Electronics

Authorized Distributor

Click to View Pricing, Inventory, Delivery & Lifecycle Information:

[Yazaki:](#)

[732199850R](#)