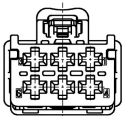
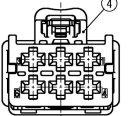
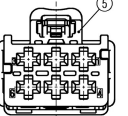
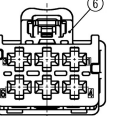
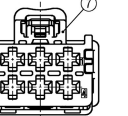
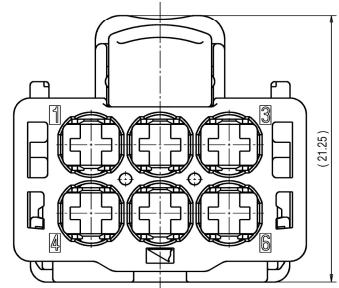
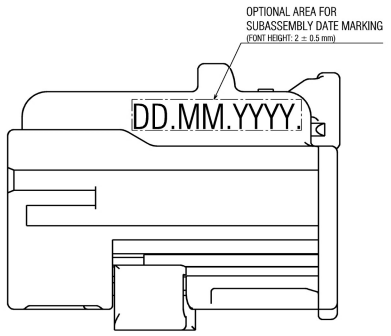
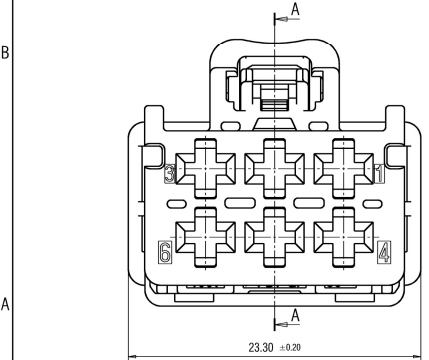
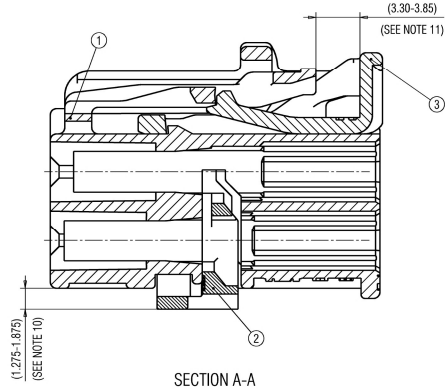
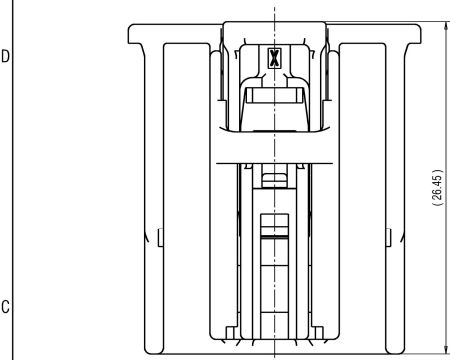
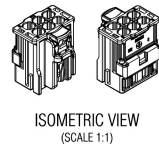


CODE OVERVIEW				
CODE A (SCALE 2:1)	CODE B (SCALE 2:1)	CODE C (SCALE 2:1)	CODE D (SCALE 2:1)	CODE O (SCALE 2:1)
				
P/N: 7298-1170-30 COLOR: BLACK (SIMILAR TO RAL 9005) 6P 2.8 NWP SYSTEM CONNECTOR (F) SUBASSEMBLY RMF	P/N: 7298-1171-60 COLOR: GREEN (SIMILAR TO RAL 6002) 6P 2.8 NWP SYSTEM CONNECTOR (F) SUBASSEMBLY RMF_CODE B	P/N: 7298-1172-90 COLOR: BLUE (SIMILAR TO RAL 5005) 6P 2.8 NWP SYSTEM CONNECTOR (F) SUBASSEMBLY RMF_CODE C	P/N: 7298-1173-80 COLOR: BROWN (SIMILAR TO RAL 8011) 6P 2.8 NWP SYSTEM CONNECTOR (F) SUBASSEMBLY RMF_CODE D	P/N: 7298-1174-20 COLOR: VIOLET (SIMILAR TO RAL 4006) 6P 2.8 NWP SYSTEM CONNECTOR (F) SUBASSEMBLY RMF_CODE O



YAZAKI SUBASSY PART NO.	NAME	NO.	YAZAKI PART NO.	NAME	MATERIAL	COLOR	QTY.
7298-1170-30	6P 2.8 NWP SYSTEM CONNECTOR (F) SUBASSEMBLY RMF	①	7198-1170-30	6P 2.8 NWP SYSTEM (F) HOUSING RMF	PBT-(GF+MD)17	BLACK	1
		②	7172-1567	6P 2.8 NWP SYSTEM (F) SIDE SPACER RMF	PBT-GF30	NATURAL	1
		③	7172-1390-50	1.2 NWP SYSTEM CPA	PBT-GF30	ORANGF	1
7298-1171-60	6P 2.8 NWP SYSTEM CONNECTOR (F) SUBASSEMBLY RMF_CODE B	④	7198-1171-60	6P 2.8 NWP SYSTEM (F) HOUSING_CODE B RMF	PBT-(GF+MD)17	GREEN	1
		②	7172-1567	6P 2.8 NWP SYSTEM (F) SIDE SPACER RMF	PBT-GF30	NATURAL	1
		③	7172-1390-50	1.2 NWP SYSTEM CPA	PBT-GF30	ORANGE	1
7298-1172-90	6P 2.8 NWP SYSTEM CONNECTOR (F) SUBASSEMBLY RMF_CODE C	⑤	7198-1172-90	6P 2.8 NWP SYSTEM (F) HOUSING_CODE C RMF	PBT-(GF+MD)17	BLUE	1
		②	7172-1567	6P 2.8 NWP SYSTEM (F) SIDE SPACER RMF	PBT-GF30	NATURAL	1
		③	7172-1390-50	1.2 NWP SYSTEM CPA	PBT-GF30	ORANGE	1
7298-1173-80	6P 2.8 NWP SYSTEM CONNECTOR (F) SUBASSEMBLY RMF_CODE D	⑥	7198-1173-80	6P 2.8 NWP SYSTEM (F) HOUSING_CODE D RMF	PBT-(GF+MD)17	BROWN	1
		②	7172-1567	6P 2.8 NWP SYSTEM (F) SIDE SPACER RMF	PBT-GF30	NATURAL	1
		③	7172-1390-50	1.2 NWP SYSTEM CPA	PBT-GF30	ORANGE	1
7298-1174-20	6P 2.8 NWP SYSTEM CONNECTOR (F) SUBASSEMBLY RMF_CODE O	⑦	7198-1174-20	6P 2.8 NWP SYSTEM (F) HOUSING_CODE O RMF	PBT-(GF+MD)17	PURPLE	1
		②	7172-1567	6P 2.8 NWP SYSTEM (F) SIDE SPACER RMF	PBT-GF30	NATURAL	1
		③	7172-1390-50	1.2 NWP SYSTEM CPA	PBT-GF30	ORANGE	1

- NOTES:
- FOR GENERAL DIMENSIONAL AND POSITIONAL TOLERANCES SEE GENERAL TOLERANCE TABLE;
 - MATERIAL: SEE TABLE;
 - COLOR: SEE TABLE;
 - PART MUST BE FREE OF FLASH AND IMPERFECTIONS THAT MAY AFFECT FIT OR FUNCTION. PART MUST BE FREE OF FLITTERS AND BEADING, OR ANY OTHER METAL OR NON-METAL PARTICLES, WHICH ARE RESULT OF MOLDING, STAMPING OR ASSEMBLING PROCESS, OR ANY KIND OF MANIPULATION WITH THE PART, THAT MAY AFFECT FIT OR FUNCTION (ELECTRICAL, MECHANICAL, SEALING, ETC.). THE GRADE OF CONTAMINATION IS DEFINED ACCORDING VDA19FF CLEANLINESS CODE CCC = A(E-H15), X = 400µm. ALL DEFINED CHARACTERISTIC HAVE TO BE ASSURED IN COMPLETE DELIVERY CHAIN;
 - MATING PRODUCT ACCORDING DRAWING: 7298-1170-30A;
 - GENERAL VIEWS ARE SHOWING CODE A;
 - APPLI (CAR) F TFRMMNALS ACCORDING DRAWINGS: 7216-7656-02, 7216-7657-02, 7216-7655-02, 7298-0563-02;
 - HANDLING MANUAL: YES-15-1664E;
 - PRODUCT STANDARD: TBD.;
 - THIS DIMENSION SHOWS THE PRESET POSITION OF SIDE SPACER ON THE SUBASSEMBLY;
 - THIS DIMENSION SHOWS THE PRESET POSITION OF CPA ON THE SUBASSEMBLY.



02.05.2022	NEW	Y22-0318	A.D.
LET DATE	REVISION RECORD	NO.	CHKD

CUSTOMER		CUSTOMER DWG. NO.		MAIL SPEC.		SEE NOTES		TREAT. & FIN.	
CUSTOMER PART NO.		CUSTOMER DWG. NO.		NAME		NAME		-	
OFFICE YEL-P		TRIAL PART NO.		6P 2.8 NWP SYSTEM CONNECTOR		6P 2.8 NWP SYSTEM CONNECTOR			
VENDOR		X41783-E100		(F) SUBASSEMBLY RMF		(F) SUBASSEMBLY RMF			
VENDOR NO.		DWG. TYPE		DWG. SOURCE		DWG. DATE		UNIT	
NEW		NEW		NEW		02.05.2022		mm	
APPROVED		CHECKED		CHECKED		DESIGN		DRAWN	
G. GREGURIC		B. FRETZE		M. ZOKALJ		K. SAFARIC		A. DURET	
SPECIFIED		MASS		5.67 g		02.06.2017		02.05.2022	
PART NO.		7298-1170-30 ETC.		PART NO.		7298-1170-30R		SET DWG. NO.	
CH. CODE				DWG. NO.					

Mouser Electronics

Authorized Distributor

Click to View Pricing, Inventory, Delivery & Lifecycle Information:

[Yazaki:](#)

[7298117030](#)