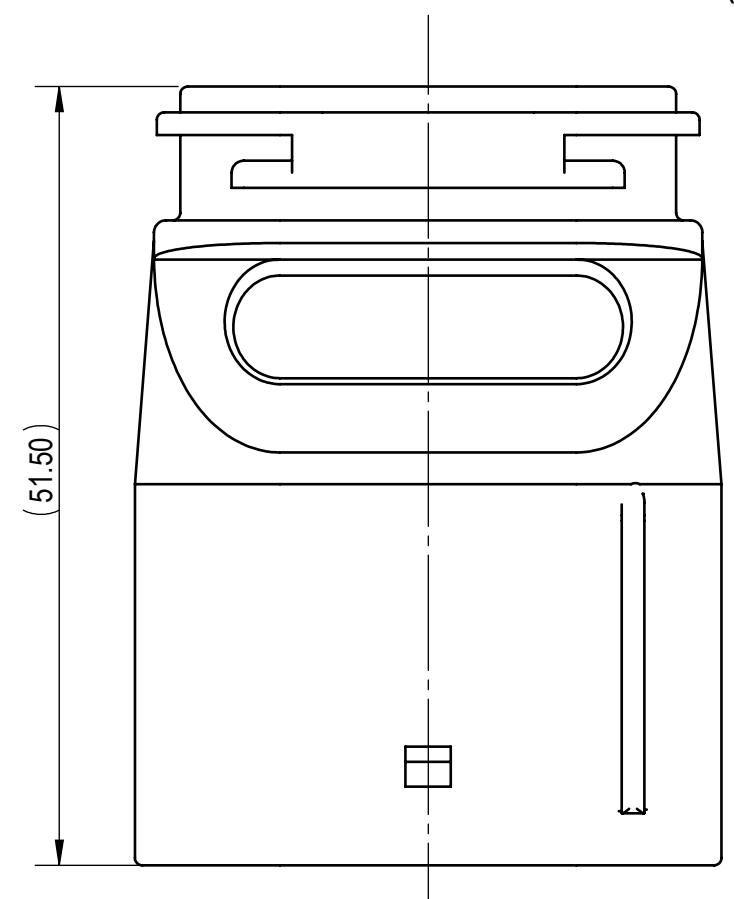
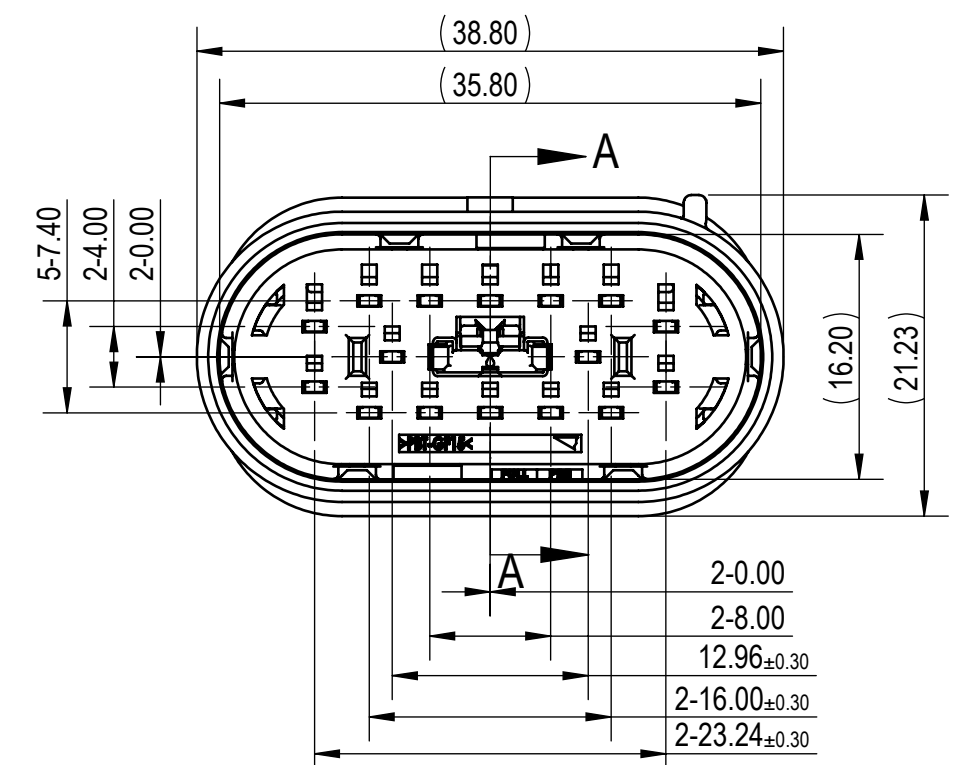
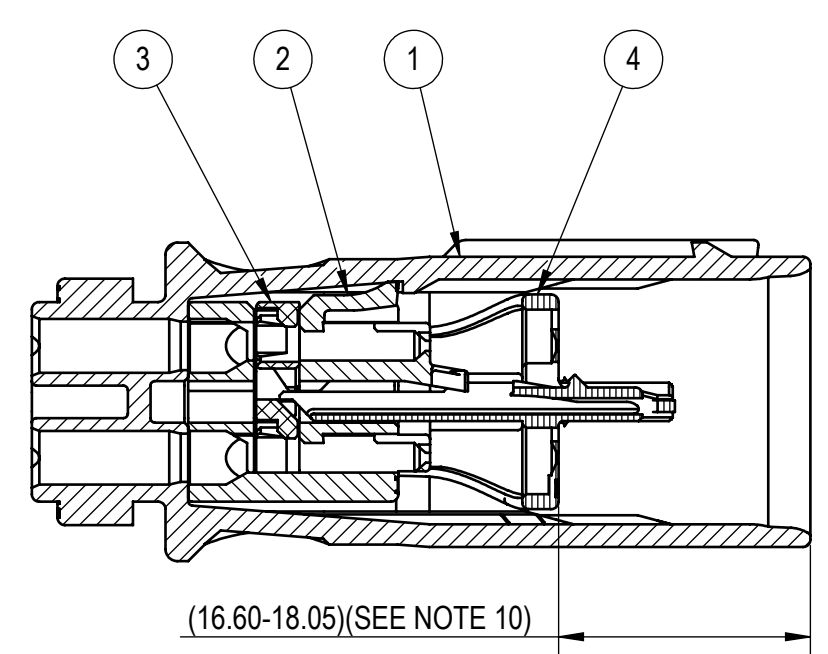
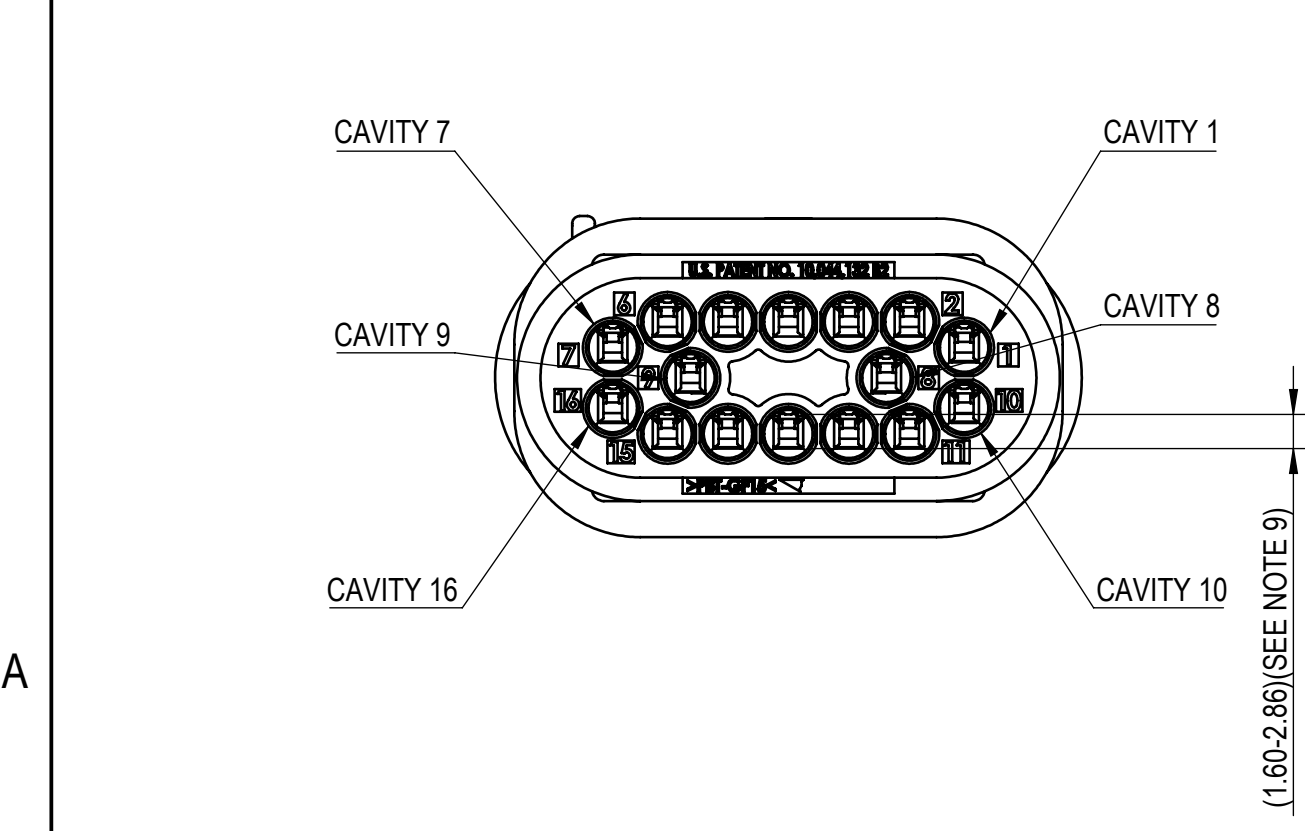


| TABLE 1 | | SUB-ASSEMBLY PART NUMBER | NO. | PART NUMBER | PART NAME | MATERIAL | COLOR | QUANTITY |
|-------------|--|--------------------------|-----|--------------|-------------------------------------|----------|-------------|----------|
| SEE TABLE 2 | | | ① | SEE TABLE 2 | 16P 1.2mm SEALED MALE OUTER HOUSING | PGT-GF15 | SEE TABLE 2 | 1 |
| | | | ② | 7197-7994-30 | 16P 1.2mm SEALED MALE INNER HOUSING | PGT-GF15 | BLACK | 1 |
| | | | ③ | 7172-1986 | 16P 1.2mm SEALED MALE ISL | PGT-GF15 | NATURAL | 1 |
| | | | ④ | 7172-1987-60 | 16P 1.2mm SEALED MALE PPP | PGT-GF15 | GREEN | 1 |

| TABLE 2 | | SUB-ASSEMBLY PART NUMBER | HOUSING PART NUMBER | YAZAKI INLINE MATING PART NUMBER | KEYWAY | COLOR | MASS (g) | X = BLOCKED CAVITY | | | | | | | | | | | | | | | | |
|---------|--|--------------------------|---------------------|----------------------------------|--------|------------|----------|--------------------|---|---|---|---|---|---|---|---|----|----|----|----|----|----|----|---|
| | | 7297-8005-30 | 7197-8005-30 | 7298-8001-30 | A | BLACK | (18.95g) | 1 | 2 | 3 | 4 | 5 | 6 | 7 | 8 | 9 | 10 | 11 | 12 | 13 | 14 | 15 | 16 | |
| | | 7297-8007-40 | 7197-8007-40 | 7298-8003-40 | B | LIGHT GRAY | | | | | | | | | | | | | | | | | | |
| | | 7297-9313-30 | 7197-9313-30 | 7298-9307-30 | A | BLACK | | | | | | | | | | X | X | | | | | | | |
| | | 7297-9312-40 | 7197-9312-40 | 7298-9306-40 | B | LIGHT GRAY | | | | | | | | | | | X | X | | | | | | |
| | | 7297-9315-30 | 7197-9315-30 | 7298-9309-30 | A | BLACK | | X | | | | | | | X | | | X | | | | | | X |
| | | 7297-9314-40 | 7197-9314-40 | 7298-9308-40 | B | LIGHT GRAY | | X | | | | | | | X | | | X | | | | | | X |
| | | 7297-9317-30 | 7197-9317-30 | 7298-9311-30 | A | BLACK | | X | | | | | | | X | X | X | X | | | | | | X |
| | | 7297-9316-40 | 7197-9316-40 | 7298-9310-40 | B | LIGHT GRAY | | X | | | | | | | X | X | X | X | | | | | | X |



- NOTES:
- PARTS MUST BE PURCHASED FROM YAZAKI.
 - PARTS MUST BE FREE OF FLASH AND IMPERFECTIONS THAT AFFECT FUNCTION.
 - APPLICABLE TERMINAL: SEE 10322345-1 DRAWING (KOSTAL MLK 1.2mm SEALED)
MAX WIRE OD: 2.10mm
MIN WIRE OD: 1.20mm
 - APPLICABLE WIRE SEAL: SEE 7172-5568-70-R DRAWING (YAZAKI YMT 1.2mm)
SEE 10129550-1 DRAWING (KOSTAL MLK 1.2mm)
 - APPLICABLE CAVITY PLUG: SEE 7172-5572-90-R (YAZAKI YMT 1.2mm)
SEE 10129550-1 (KOSTAL MLK 1.2mm)
 - MATING PART NUMBER: SEE TABLE 2
 - PART SATISFIES PF.90012, REV. C, APRIL 2020 (T3/V2/S3/MF3)
 - PART TO COMPLY WITH YPES-31-038 REQUIREMENTS.
 - THIS DIMENSION SHOWS THE PRE-SET POSITION OF THE ISL.
 - THIS DIMENSION SHOWS THE PRE-SET POSITION OF THE PPP.
 - THIS DRAWING IS TO BE USED FOR INTERNAL YAZAKI PSW SUBMISSION.
 - HANDLING MANUAL NUMBER: TBD.
 - APPLICABLE WIRE COVER PART NUMBER: SEE 7174-2813-30-R (90°)
SEE 7174-2814-30-R (180°)



| GENERAL TOLERANCE | | | | | | | | | | | |
|-------------------|------------------|-------|--------|--------|--------|--------|---------|---------|---------|-------|--------|
| | 10MAX | 50MAX | 100MAX | 250MAX | 250OVR | R5 MAX | R10 MAX | R20 MAX | R20 OVR | ANGLE | ECCENT |
| A | ±0.15 | ±0.20 | ±0.30 | ±0.50 | ±0.75 | | | | | ±3° | 0.1 |
| B | ±0.20 | ±0.30 | ±0.55 | ±0.95 | ±1.40 | ±0.20 | ±0.30 | ±0.50 | ±2.50 | ±3° | 0.1 |
| C | ±0.30 | ±0.50 | ±0.80 | ±1.40 | ±2.00 | | | | | ±3° | 0.15 |
| | MASS SEE TABLE 2 | | | | | | | | | | |

| | | | | | | | |
|--|--|------------------|--|--------------------|--|---------------|--|
| CUSTOMER PART NO. | | CUSTOMER DWG NO. | | MATERIAL SPEC. | | TREAT. & FIN. | |
| YNA | | TRIAL PART NO. | | SEE TABLE | | N/A | |
| NAME: 16P 1.2mm SEALED MALE CONNECTOR SUB-ASSEMBLY | | | | | | | |
| OFFICE | | VENDOR | | PART NO. | | CH. CODE | |
| YNA | | | | 7297-8005-30, ETC. | | | |
| VENDOR NO. | | DWG SOURCE | | DWG DATE | | UNIT | |
| | | 7297-8005-30-M | | 11-23-2022 | | mm | |
| | | APPROVED | | CHECKED | | SCL | |
| | | DAVID ZYBACH | | ANDRES CARDONA | | 2/1 3 | |
| | | 06-15-2021 | | 11-23-2022 | | | |
| PART NO. 7297-8005-30-R | | | | | | | |
| DWG NO. 7297-8005-30-R | | | | | | | |
| YAZAKI CORPORATION | | | | | | | |

| | | | |
|------------|------|-----------------|------|
| 11-23-2022 | NEW | C22-A615 | AC |
| LET | DATE | REVISION RECORD | CHKD |

Mouser Electronics

Authorized Distributor

Click to View Pricing, Inventory, Delivery & Lifecycle Information:

[Yazaki:](#)

[7297800530](#)