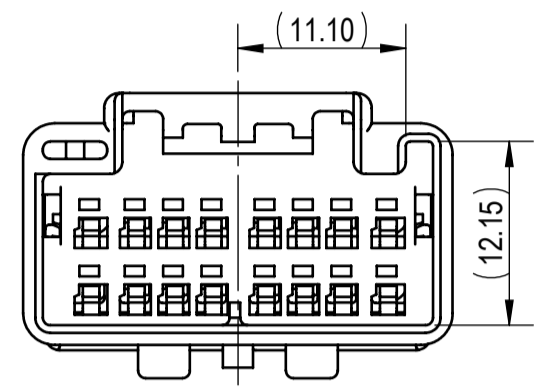
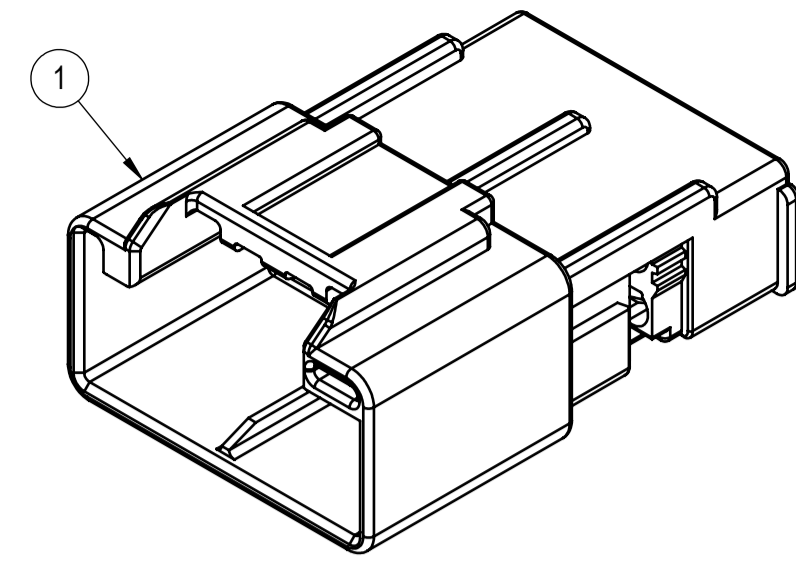


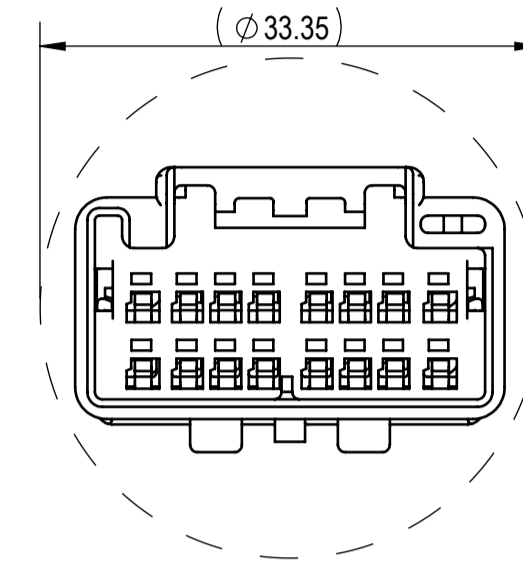
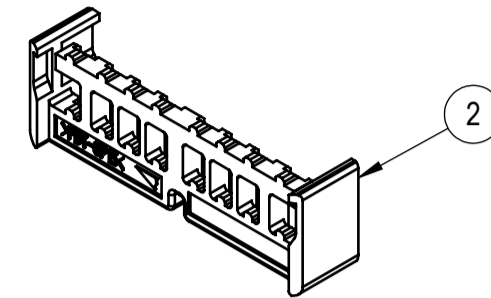
7297-5271-30  
KEYWAY A



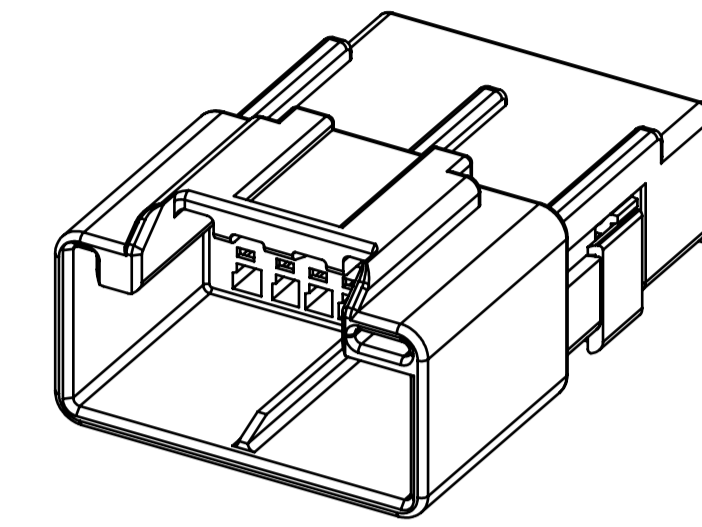
7297-5270-40  
KEYWAY B



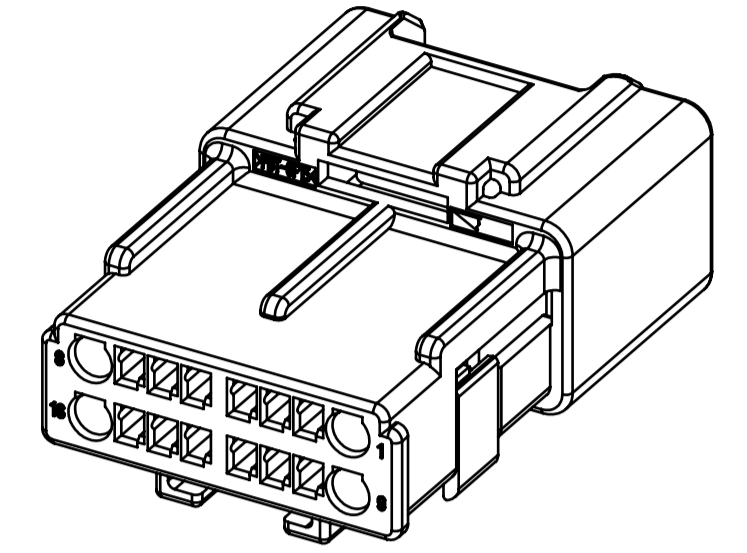
EXPLODED VIEW  
(2/1)



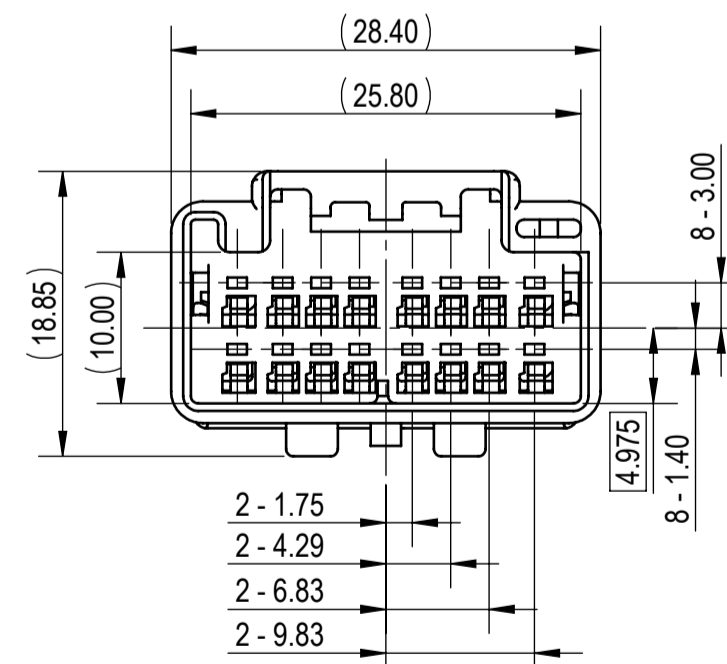
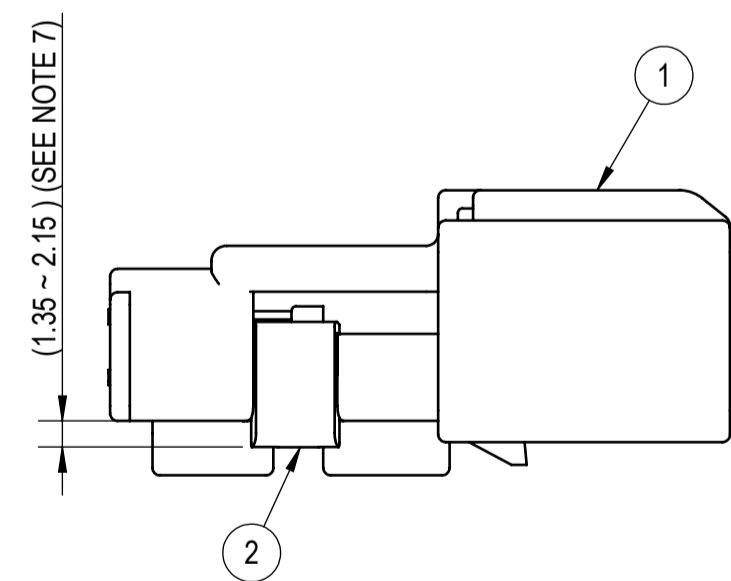
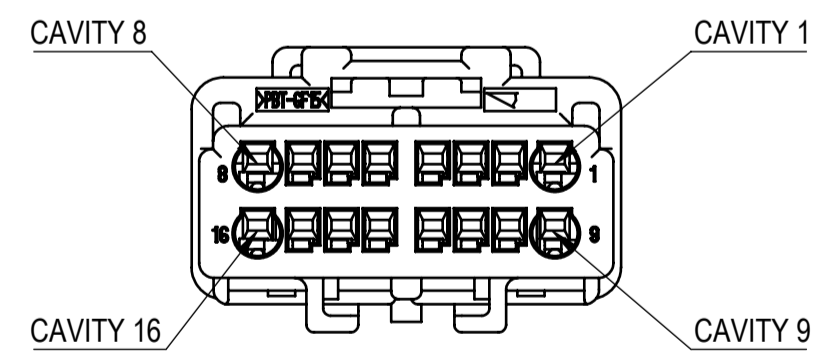
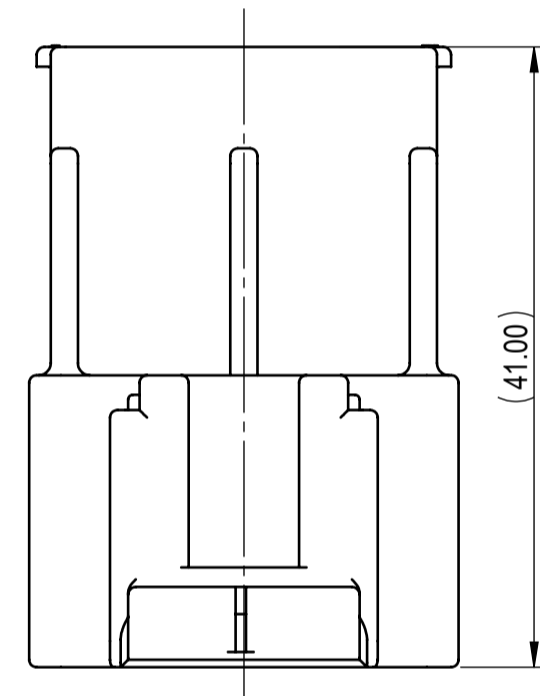
RECOMMENDED PASS-THROUGH  
HOLE DIMENSION  
(1mm CLEARANCE ALL AROUND)  
(2/1)



FRONT ISOMETRIC VIEW  
(2/1)



REAR ISOMETRIC VIEW  
(2/1)



NOTES:

- PARTS MUST BE PURCHASED FROM YAZAKI.
- PARTS MUST BE FREE OF FLASH AND IMPERFECTIONS THAT AFFECT FUNCTION.
- APPLICABLE TERMINAL: SEE 7195-1371-02:R DRAWING (1.2mm YAZAKI YCO UNSEALED) (PREFERRED), 33101338 DRAWING (APTIV 1.2 OCS) OR C-1718398 DRAWING (TYCO 1.2 MCON)  
MAX WIRE OD: 2.40mm (CAVITIES 1, 8, 9, 16)  
MAX WIRE OD: 1.90mm (CAVITIES 2-7, 10-15)
- MATING PART NUMBER: SEE TABLE 2
- PART SATISFIES TEST SPEC NAME, REVISION, DATE, (T2V1/S1/MF3).
- PART TO COMPLY WITH YPES-31-038 REQUIREMENTS.
- THIS DIMENSION SHOWS THE PRE-SET POSITION OF THE ISL.
- THIS DRAWING IS TO BE USED FOR INTERNAL YAZAKI PSW SUBMISSION.
- CLIP SLOT: 11mm CLIP SLOT. (BASED ON USCAR 11mm CLIP SLOT, EWCAP-005-11, REV. C)
- HANDLING MANUAL NUMBER: YPES-15-1673E
- CONNECTOR IS CAPABLE OF ACCEPTING A DRESS COVER.

TABLE 1	SUB-ASSEMBLY PART NUMBER	NO.	PART NUMBER	PART NAME	MATERIAL	COLOR	QUANTITY
	SEE TABLE 2	①	SEE TABLE 2	16P 1.2mm SYSTEM UNSEALED MALE CONNECTOR HOUSING	PBT-GF15	SEE TABLE 2	1
		②	7172-1299	16P 1.2mm SYSTEM UNSEALED MALE CONNECTOR ISL	PBT-GF15	NATURAL	1

TABLE 2	SUB-ASSEMBLY PART NUMBER	HOUSING PART NUMBER	KEYWAY	COLOR	YAZAKI INLINE MATING PART NUMBER
	7297-5271-30	7188-6570-30	A	BLACK	7289-6568-30, ETC.
	7297-5270-40	7188-6571-40	B	LIGHT GRAY	7289-6569-40, ETC.

LET	DATE	REVISION RECORD	NO.	CHKD
-	09-04-2020	NEW	C20-A640	IM

GENERAL TOLERANCE										
	10MAX	50MAX	100MAX	250MAX	250OVR	R5 MAX	R10 MAX	R20 MAX	R20 OVR	ANGLE
A	±0.15	±0.20	±0.30	±0.50	±0.75					±3°
B	±0.20	±0.30	±0.55	±0.95	±1.40	±0.20	±0.30	±0.50	±2.50	±3°
Ⓒ	±0.30	±0.50	±0.80	±1.40	±2.00					±3°
SPECIFIED										MASS (8.21) g

CUSTOMER		CUSTOMER PART NO.		CUSTOMER DWG NO.		MATERIAL SPEC.		TREAT. & FIN.	
YNA		YNA		7297-5271-40-M		SEE TABLE		N/A	
OFFICE		VENDOR		VENDOR NO.		NAME		PART NO.	
YNA						16P 1.2mm SYSTEM UNSEALED MALE		7297-5271-30, ETC	
						CONNECTOR SUB-ASSEMBLY		DWG NO.	
								7297-5271-30:R	
						YAZAKI CORPORATION			

# Mouser Electronics

Authorized Distributor

Click to View Pricing, Inventory, Delivery & Lifecycle Information:

[Yazaki:](#)

[7297527130](#)