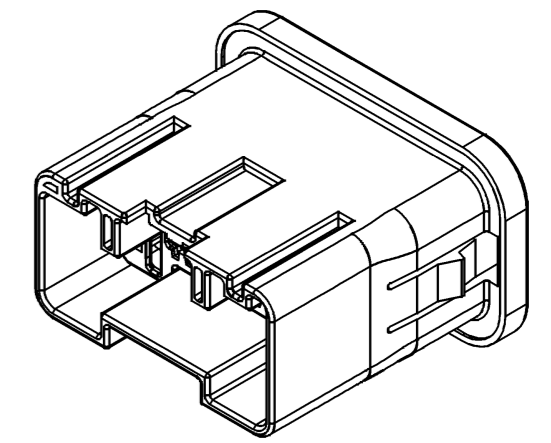
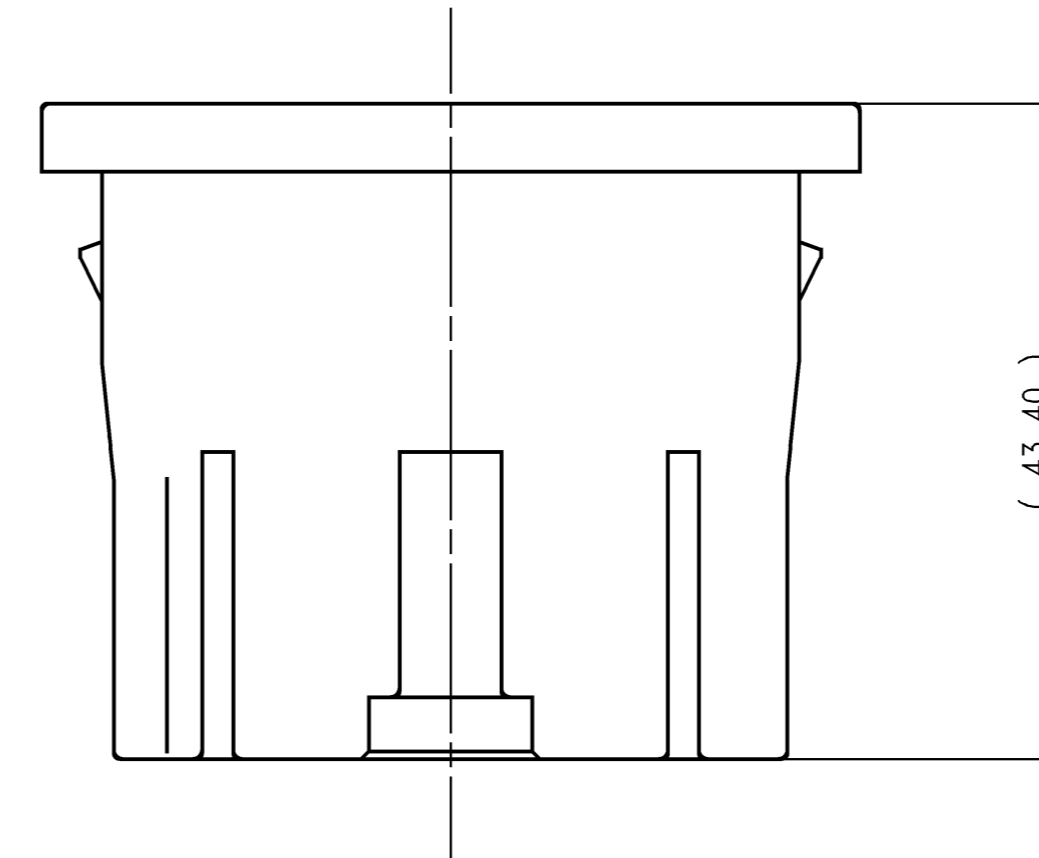
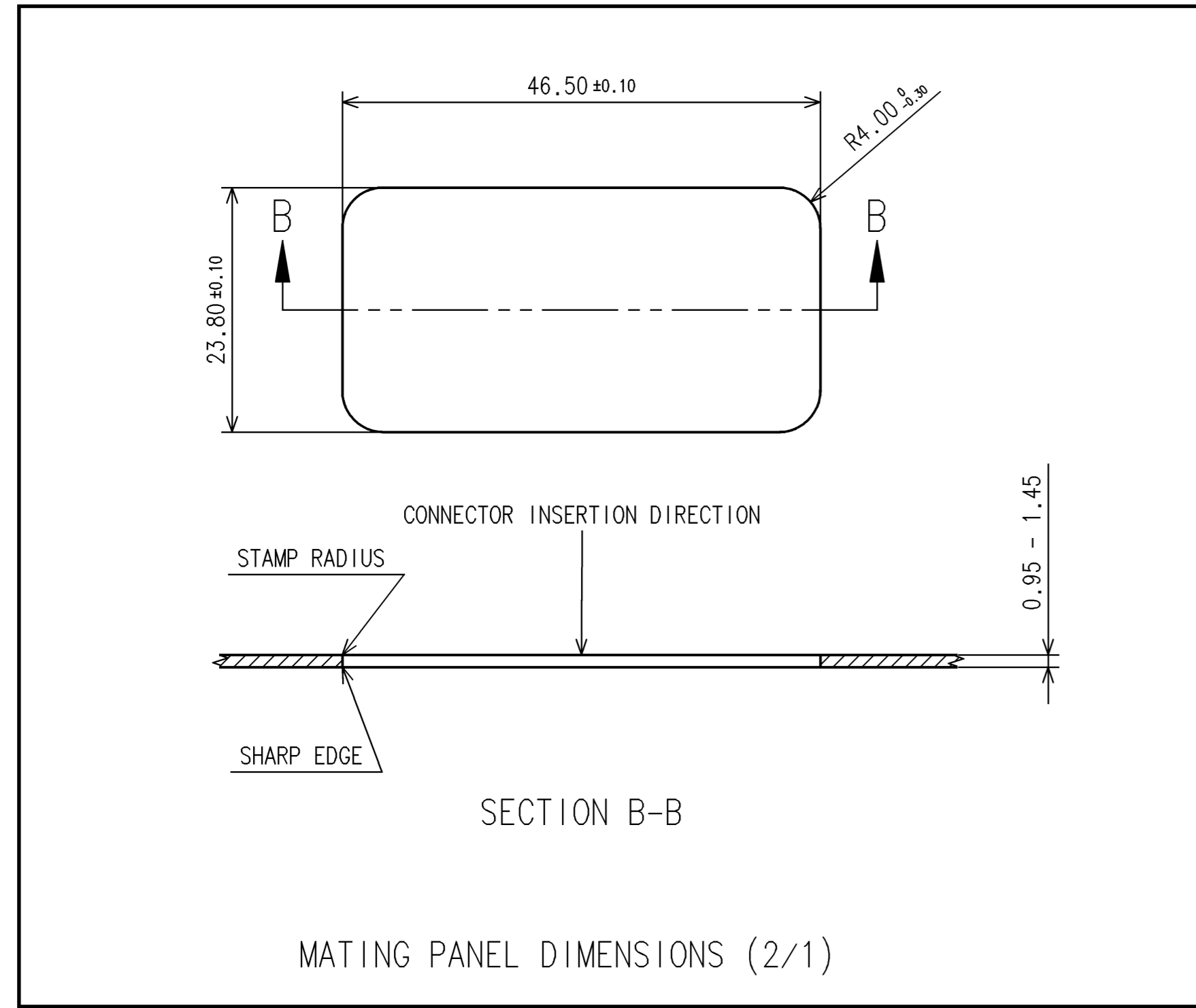
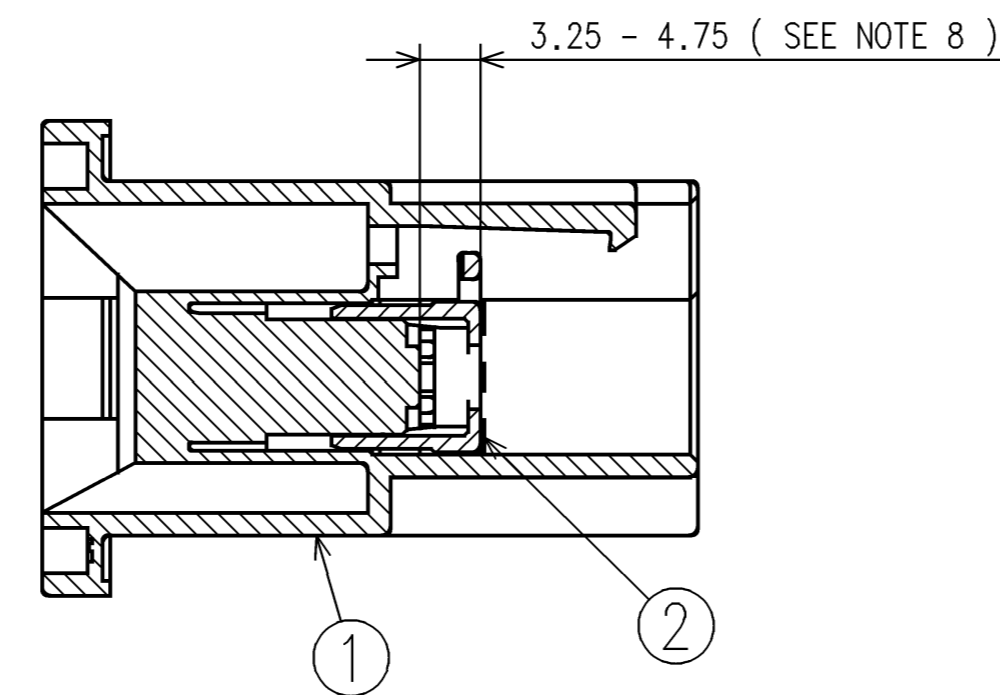
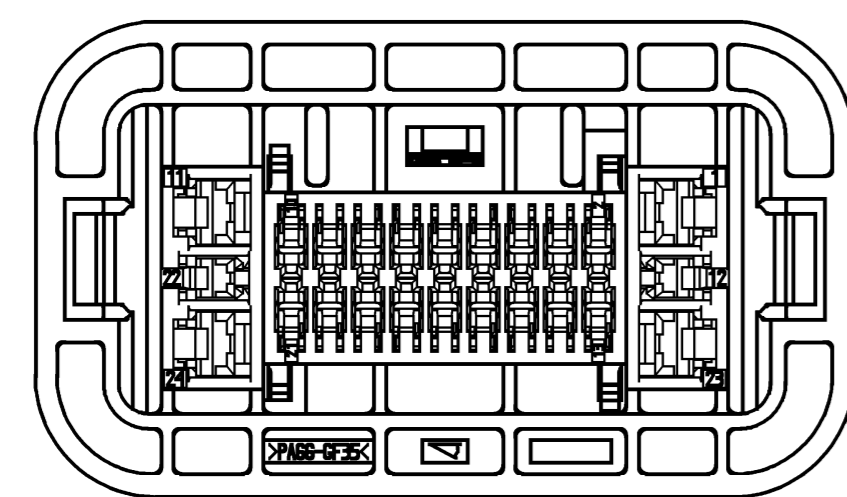


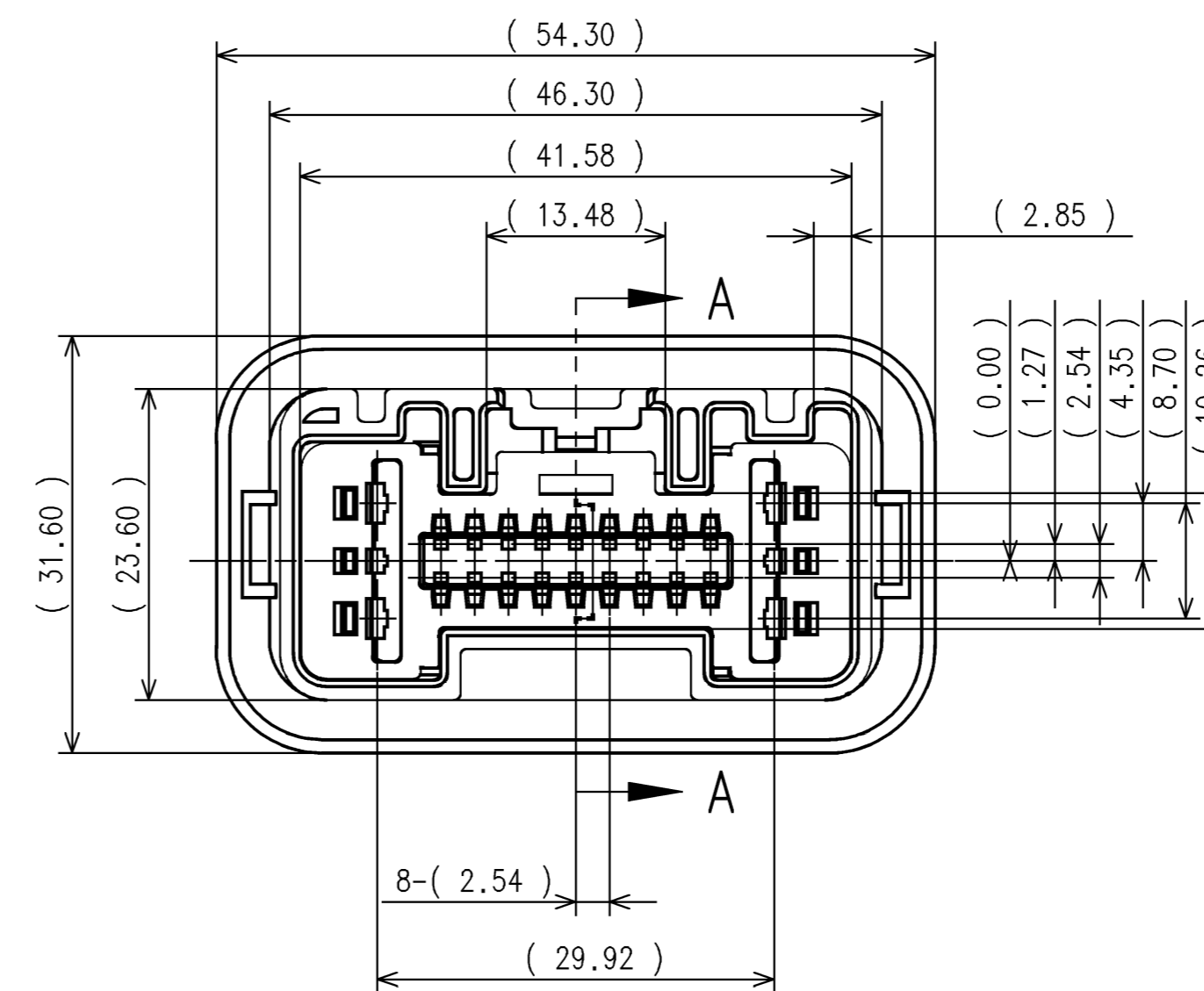
SUB ASSEMBLY PART NUMBER	NO.	PART NUMBER	PART NAME	MATERIAL	COLOR	QUANTITY
7286-3260-30	①	7186-3260-30	24P HYBRID (18P GEN Y 0.64 + 2P YESC 1.5 + 4P YESC 2.8) UNSEALED MALE HOUSING	PA66-GF	BLACK	1
	②	7172-0336	24P HYBRID (18P GEN Y 0.64 + 2P YESC 1.5 + 4P YESC 2.8) UNSEALED MALE TPA	PA66-GF	NATURAL	1



(1/1)



SECTION A-A



- NOTES:
- PARTS MUST BE PURCHASED FROM YAZAKI.
 - ALL PARTS MUST BE FREE OF FLASH AND IMPERFECTIONS THAT AFFECT FUNCTION.
 - APPLICABLE TERMINAL: 1924275-1 ETC. (TYCO GEN-Y 0.64)
SEE 7114-4100-02:R DRAWING. (YESC 1.5 OR EQUIVALENT)
SEE 7114-4110-02:R DRAWING. (YESC 2.8 OR EQUIVALENT)
 - MATING PART NUMBER: 7287-3260-30
TO BE USED WITH 7135-8993 (GROMMET)
 - PART DESIGNED TO SATISFY SAE/USCAR-2, REV. 4, MAY. 2004, TEMP CLASS 2.
 - PART TO COMPLY WITH YPES-31-038 REQUIREMENTS.
 - THIS DIMENSION SHOWS THE PRE-SET POSITION OF THE TPA.
 - THIS DRAWING IS TO BE USED FOR INTERNAL YAZAKI PSW SUBMISSION.

ISSUE MARK

CUSTOMER	CUSTOMER PART NO.	CUSTOMER DWG NO.	MATL. SPEC.	SEE TABLE	TREAT. & FIN.	N/A
OFFICE	YNA	TRIAL PART NO.	NAME 24P (18P GEN Y 0.64 + 2P YESC 1.5 + 4P YESC 2.8) NWP MALE SUB-ASSEMBLY			
VENDOR	N/A		PART NO. 7286-3260-30			
VENDOR NO.	N/A		DWG NO. 7286-3260-30:R			
DWG TYPE	DWG SOURCE	DWG DATE	UNIT	SCL	ANGLE	PART NO. 7286-3260-30
R	7286-3260-30:R	04-09-2015	mm	2/1	3	CH. CODE
APPROVED	CHECKED	CHECKED	DESIGN	DRAWN	DWG NO. 7286-3260-30:R	
			DAVID PANIK	HECTOR COLMENERO	YAZAKI CORPORATION	
			01-17-2008	04-09-2015		

GENERAL TOLERANCE											
	10 MAX	50 MAX	100 MAX	250 MAX	250 OVR	R5 MAX	R10 MAX	R20 MAX	R20 OVR	ANGLE	ECCENT
A	±0.15	±0.2	±0.3	±0.5	±0.75	±0.2	±0.3	±0.5	±2.5	±3°	0.1
B	±0.2	±0.3	±0.55	±0.95	±1.4					±3°	0.1
Ⓞ	±0.3	±0.5	±0.8	±1.4	±2.0					±3°	0.15
	SPECIFIED									WEIGHT	(24.8)g

LET	DATE	REVISION RECORD	NO.	H.C.	CHKD
-	04-09-2015	NEW	C15-A292	H.C.	CHKD

Mouser Electronics

Authorized Distributor

Click to View Pricing, Inventory, Delivery & Lifecycle Information:

[Yazaki:](#)

[7286326030](#)