

SUB ASSEMBLY PART NO. AND CH. CODE	PART NO. AND CH. CODE	MATERIAL	COLOR	QTY.
7283-7040-10 ETC.	①	HPA	SEE TABLE 2	1
	②	HPA	NATURAL	1
	③	SILICONE RUBBER	BROWN	1

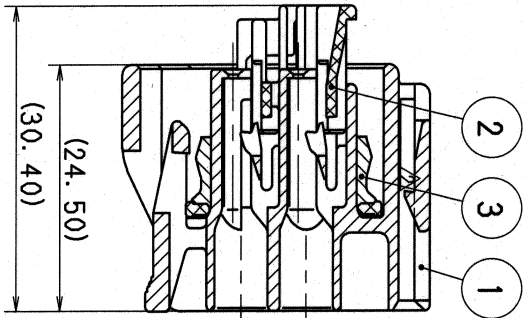
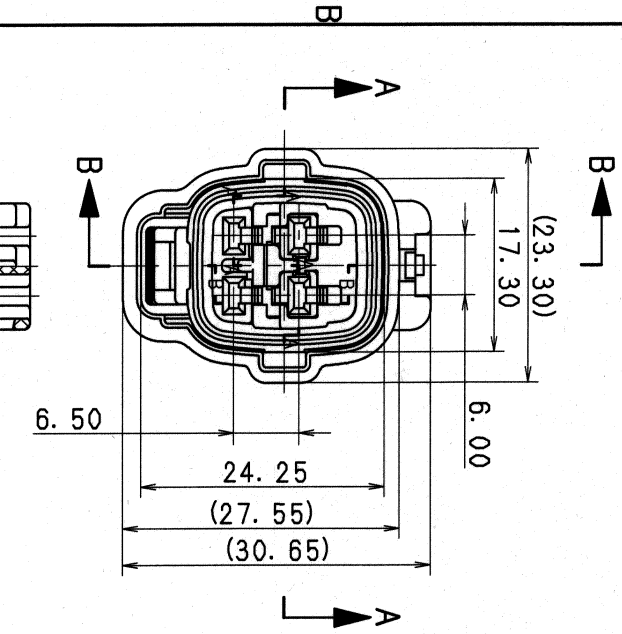


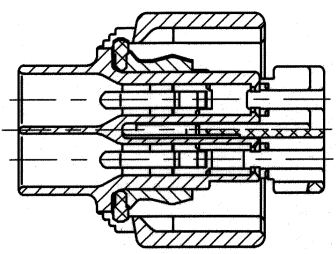
TABLE 2

SUB ASSEMBLY PART NO. AND CH. CODE	PART NO. AND CH. CODE	COLOR
7283-7040, □	7183-7040	NATURAL
7283-7040-10, □	7183-7040-10	DARK GRAY
7283-7040-30, □	7183-7040-30	BLACK
7283-7040-40, □	7183-7040-40	LIGHT GRAY
7283-7040-50, □	7183-7040-50	ORANGE

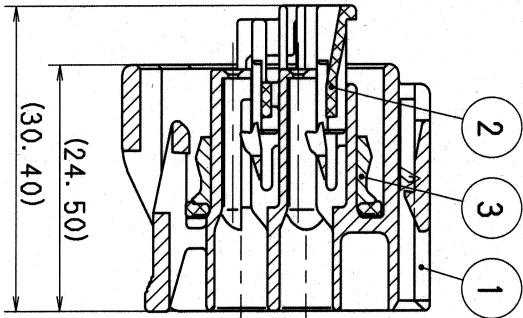
- 注記
- 1. 適用端子品番 : 7116-4025 ETC.
 - 2. 嵌合相手品番 : 7282-7040-10 ETC.

- NOTES
- 1. APPLICABLE TERMINAL NO. : 7116-4025 ETC.
 - 2. MATING PART NO. : 7282-7040-10 ETC.

SEC. A-A



SEC. B-B



04.12.06	CHANGED MATERIAL. FORM, ETC. □	C04-PE91	K. W	CUSTOMER	PART NO.	CUSTOMER DWG NO.	MATL. SPEC.	TREAT. & FIN.	ISSUE MARK
00.01.06	CHANGED COLOR NEW	C00-L051	T. H	OFFICE					
93.01.26	REVISION RECORD	C93-L090	C. M	VENDOR					
LET DATE	GENERAL TOLERANCE	NO.	CHKD	VENDOR NO.					
A	±0.15	±0.3	±0.5	±0.75	±30'	0.1			
B	±0.2	±0.3	±0.55	±0.95	±1.4	±2			
C	±0.3	±0.5	±0.8	±1.4	±2	±30'			
SPECIFIED									
10MAX 50MAX 100MAX 250MAX 500V R ANGLE ECCENT									
APPROVED H. TSUNODA Y. SAWADA M. TSUJI K. WATANABE									
04.12.07 09.12.07 88.10.20 04.12.6									
YAZAKI CORPORATION									

NAME 2. 3II (090II) 4P SEALED CONNECTOR HOUSING FEMALE SUB ASSEMBLY

PART NO. 7283-7040-10 ETC.

DWG NO. 7283-7040:R

SET DWG NO.

YAZAKI CORPORATION

Mouser Electronics

Authorized Distributor

Click to View Pricing, Inventory, Delivery & Lifecycle Information:

[Yazaki:](#)

[7283704010](#) [7283704030](#) [7283704040](#)