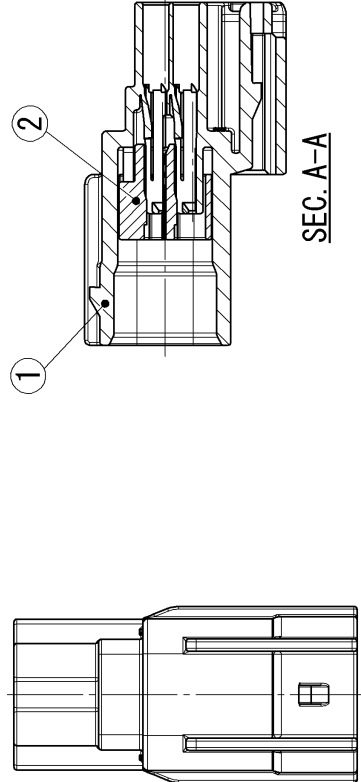


GENERAL TOLERANCE											
	10 MAX	50 MAX	100 MAX	250 MAX	250 OVR	R5 MAX	R10 MAX	R20 MAX	R20 OVR	ANGLE	ECCENT
A	±0.15	±0.2	±0.3	±0.5	±0.75	±0.2	±0.3	±0.5	±2.5	±3°	0.1
B	±0.2	±0.3	±0.55	±0.95	±1.4	±0.2	±0.3	±0.5	±2.5	±3°	0.1
C	±0.3	±0.5	±0.8	±1.4	±2						0.15



SEC. A-A

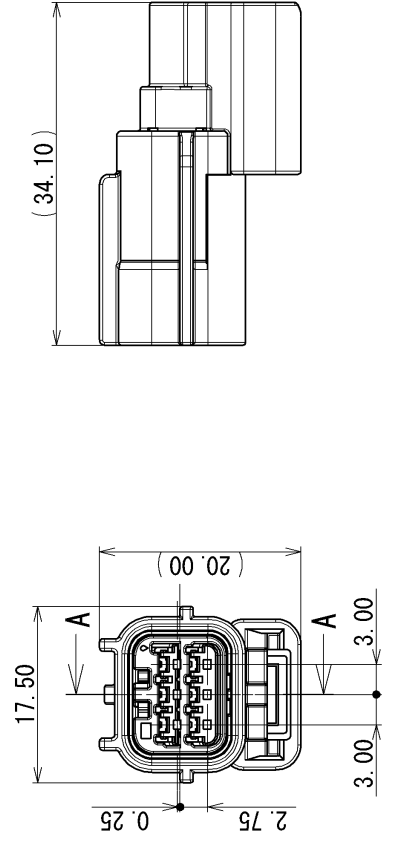


TABLE 1

SUB ASSEMBLY PART NO. AND CH. CODE	NO.	PART NO. AND CH. CODE	MATERIAL	COLOR	QTY.
△ 7282-2764-30 ETC.	①	△ SEE TABLE 2	PBT	△ SEE TABLE 2	1
	②	7158-6623	PBT-G	NATURAL	1

TABLE 2	SUB ASSEMBLY PART NO. AND CH. CODE	PART NO. AND CH. CODE	COLOR
△	7282-2764	7182-2764	NATURAL
	7282-2764-30	7182-2764-30	BLACK
△	7282-2764-40	7182-2764-40	LIGHT GRAY

注記

- △ 1. かん合相手品番 : 7283-2764-30 ETC.
- 2. 適用端子品番 : 7114-4415-02
: 7114-4416-02
: 7114-4417-02
- 3. 適用ゴム栓品番 : 7158-3165-90
: 7158-3166-60
- 4. 適用防水栓品番 : 7158-3167-80
: 7158-3168-80
: 7158-3169-40

NOTES

- △ 1. MATING PART NO. : 7283-2764-30 ETC.
- 2. APPLICABLE TERMINAL NO. : 7114-4415-02
: 7114-4416-02
: 7114-4417-02
- 3. APPLICABLE SEAL RUBBER NO. : 7158-3165-90
: 7158-3166-60
: 7158-3167-80
: 7158-3168-80
: 7158-3169-40
- 4. APPLICABLE UNUSED CAVITY PLUG : 7158-3169-40

LET	DATE	REVISION RECORD	NO.	CHKD	VENDOR	OFFICE	TRIAL PART NO.	NAME	MATL. SPEC.	SEE TABLE	TREAT. & FIN.	ISSUE MARK																																
△	12/08/31	ADDED PART NO.	C12-Z787	E I	CUSTOMER			△ HS 025 6P SEALED HOUSING																																				
△	10/11/15	CHANGED PART NAME	C10-ZA95	G M	CUSTOMER PART NO.			SUB ASSEMBLY MALE																																				
△	05/03/14	ADDED PART NO. ETC.	C05-7400	K N																																								
△	04/07/08	NEW	C04-Z729	K N																																								
GENERAL TOLERANCE																																												
A	±0.15	50MAX	±0.3	100MAX	±0.5	250MAX	±0.75	250OVR	±0.75	ANGLE	±30°	ECCENT	0.1																															
B	±0.2	±0.3	±0.55	±0.95	±1.4	±2				APPROVED	H. KANDA	K. SAWA IRI	0.1																															
C	±0.3	±0.5	±0.8	±1.4	±2	±2				APPROVED	H. KANDA	K. SAWA IRI	0.15																															
SPECIFIED MASS																																												
<table border="0"> <tr> <td>DMG DATE</td> <td>04/07/08</td> <td>UNIT</td> <td>mm</td> <td>SCL</td> <td>2:1</td> <td>ANGLE</td> <td>3</td> </tr> <tr> <td>DMG TYPE</td> <td>R</td> <td>DMG SOURCE</td> <td>NEW</td> <td>CHECKED</td> <td>CHECKED</td> <td>DESIGN</td> <td>DRAWN</td> </tr> <tr> <td>APPROVED</td> <td>H. KANDA</td> <td>APPROVED</td> <td>K. SAWA IRI</td> <td>DESIGN</td> <td>K. NIHO</td> <td>DESIGN</td> <td>E. ITALIA</td> </tr> <tr> <td>12/08/31</td> <td>12/08/31</td> <td>04/06/17</td> <td>12/08/31</td> <td>04/06/17</td> <td>12/08/31</td> <td>04/06/17</td> <td>12/08/31</td> </tr> </table>													DMG DATE	04/07/08	UNIT	mm	SCL	2:1	ANGLE	3	DMG TYPE	R	DMG SOURCE	NEW	CHECKED	CHECKED	DESIGN	DRAWN	APPROVED	H. KANDA	APPROVED	K. SAWA IRI	DESIGN	K. NIHO	DESIGN	E. ITALIA	12/08/31	12/08/31	04/06/17	12/08/31	04/06/17	12/08/31	04/06/17	12/08/31
DMG DATE	04/07/08	UNIT	mm	SCL	2:1	ANGLE	3																																					
DMG TYPE	R	DMG SOURCE	NEW	CHECKED	CHECKED	DESIGN	DRAWN																																					
APPROVED	H. KANDA	APPROVED	K. SAWA IRI	DESIGN	K. NIHO	DESIGN	E. ITALIA																																					
12/08/31	12/08/31	04/06/17	12/08/31	04/06/17	12/08/31	04/06/17	12/08/31																																					
<table border="0"> <tr> <td>PART NO. CH. CODE</td> <td colspan="7">△ 7282-2764-30 ETC.</td> </tr> <tr> <td>DMG NO.</td> <td colspan="7">7282-2764-30:R</td> </tr> <tr> <td>SET DWG NO.</td> <td colspan="7">YAZAKI CORPORATION</td> </tr> </table>													PART NO. CH. CODE	△ 7282-2764-30 ETC.							DMG NO.	7282-2764-30:R							SET DWG NO.	YAZAKI CORPORATION														
PART NO. CH. CODE	△ 7282-2764-30 ETC.																																											
DMG NO.	7282-2764-30:R																																											
SET DWG NO.	YAZAKI CORPORATION																																											

Mouser Electronics

Authorized Distributor

Click to View Pricing, Inventory, Delivery & Lifecycle Information:

[Yazaki:](#)

[7282276430](#)