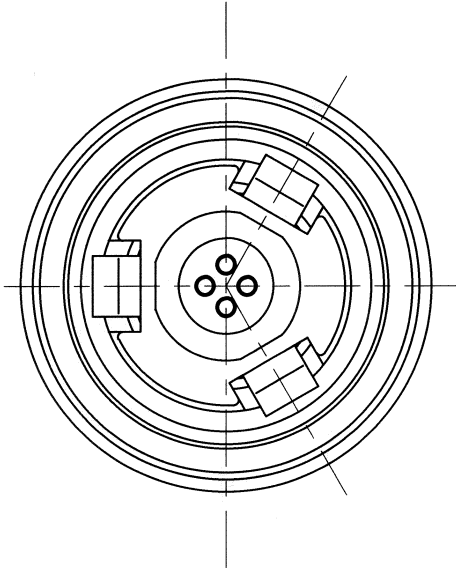
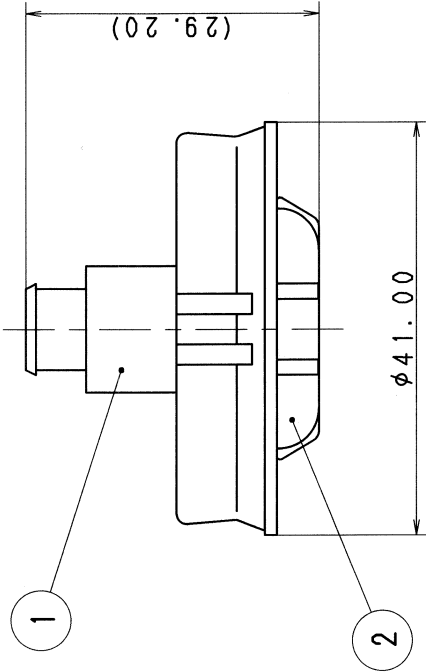


3

2

1

SUB ASSEMBLY PART NO. AND CH. CODE	NO.	PART NO. AND CH. CODE	PART NAME	MATERIAL	COLOR	QTY.
7235-6083	①	7135-6083	GROMMET OUTER	EPDM	BLACK	1
	②	7157-9195	GROMMET INNER	PP	NATURAL	1
7235-6087-30	①	7135-6087-30	GROMMET OUTER	EPDM	BLACK	1
	②	7157-9195-90	GROMMET INNER	PP	BLUE	1



B

A

LET	DATE	REVISION RECORD	NO.	M. S	CHKD	CUSTOMER PART NO.	CUSTOMER DWG NO.	MATL. SPEC.	SEE TABLE	TREAT. & FIN.	ISSUE MARK				
	2006/11/30	NEW	C06-ZD13												
GENERAL TOLERANCE															
A	±0.15	50MAX	±0.3	±0.5	±0.75	±30'	0.1	DWG TYPE	NEW	DWG SOURCE	2006/11/30	DWG DATE	UNIT	SCL	ANGLE
B	±0.2	±0.3	±0.55	±0.95	±1.4	±30'	0.1	APPROVED	柳野	CHECKED	Y. UCHIDA	DESIGN	DRAWN	M. MORAL	
C	±0.3	±0.5	±0.8	±1.4	±2	±30'	0.15	MASS							
SPECIFIED															
PART NO. 7235-6083 ETC															
CH. CODE															
DWG NO. 7235-6083:R															
SET DWG NO.															
YAZAKI CORPORATION															

3

2

1

Mouser Electronics

Authorized Distributor

Click to View Pricing, Inventory, Delivery & Lifecycle Information:

[Yazaki:](#)

[72356083](#)