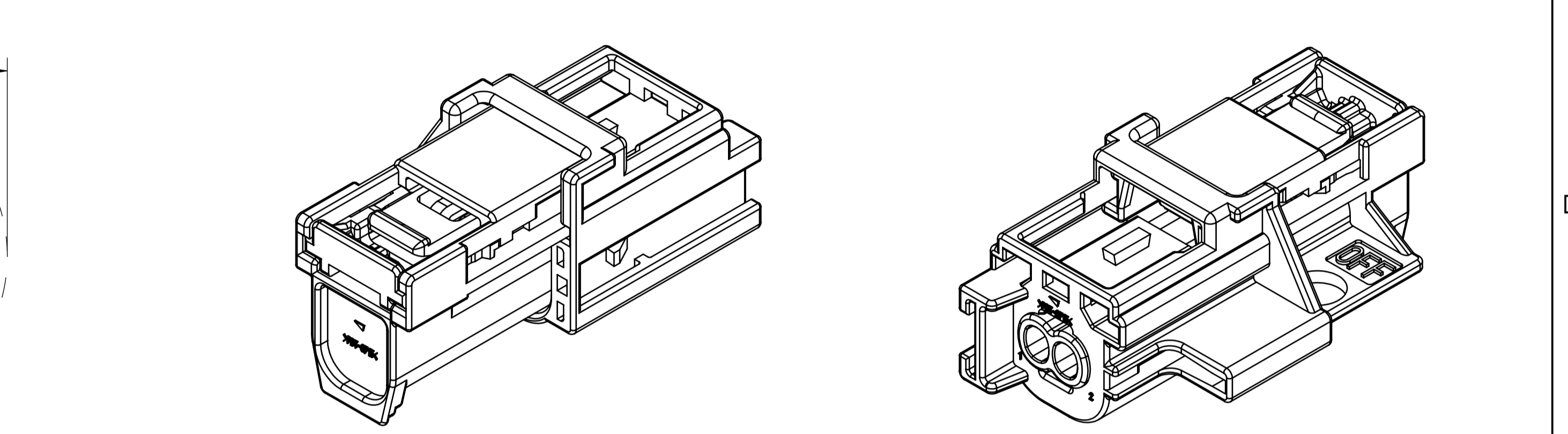


SUB-ASSEMBLY PART NUMBER	NO.	PART NUMBER	PART NAME	MATERIAL	COLOR	QUANTITY	MASS (g)
7225-9608-60	①	7125-9613-60	2P YESC 1.5mm SEALED FEMALE SERVICE DISCONNECT HOUSING	PBT-GF15	GREEN	1	(18.05)
	②	7172-1493	2P YESC 1.5mm SEALED FEMALE SERVICE DISCONNECT INTERFACE SEAL CAP	PBT-GF15	NATURAL	1	
	③	7137-3127-50	2P YESC 1.5mm SEALED FEMALE INTERFACE SEAL	SILICONE	RUST RED	1	
	④	7125-9612-60	2P 1.5mm SEALED MALE SERVICE DISCONNECT HOUSING	PBT-GF15	GREEN	1	
	⑤	7125-9614-02	1.5mm SERVICE DISCONNECT SHORT TERMINAL	BRASS	N/A	1	
7225-9609-60 (WITH CPA)	①	7125-9613-60	2P YESC 1.5mm SEALED FEMALE SERVICE DISCONNECT HOUSING	PBT-GF15	GREEN	1	(18.55)
	②	7172-1493	2P YESC 1.5mm SEALED FEMALE SERVICE DISCONNECT INTERFACE SEAL CAP	PBT-GF15	NATURAL	1	
	③	7137-3127-50	2P YESC 1.5mm SEALED FEMALE INTERFACE SEAL	SILICONE	RUST RED	1	
	④	7125-9612-60	2P 1.5mm SEALED MALE SERVICE DISCONNECT HOUSING	PBT-GF15	GREEN	1	
	⑤	7125-9614-02	1.5mm SERVICE DISCONNECT SHORT TERMINAL	BRASS	N/A	1	
	⑥	7172-1492-50	SERVICE DISCONNECT CPA	PBT-GF15	RED	1	



RECOMMENDED PASS-THROUGH HOLE DIMENSION (1mm CLEARANCE ALL AROUND) (2/1)

- NOTES:
- PARTS MUST BE PURCHASED FROM YAZAKI.
 - PARTS MUST BE FREE OF FLASH AND IMPERFECTIONS THAT AFFECT FUNCTION.
 - APPLICABLE TERMINAL: SEE 7116-4102-02:R DRAWING (1.5mm YESC SEALED)
MAX WIRE OD: 2.40mm
MIN WIRE OD: 1.20mm
 - APPLICABLE WIRE SEAL: SEE 7158-3374-90:R DRAWING (1.5mm REDUCED PITCH).
 - APPLICABLE CAVITY PLUG: SEE 7158-3037-70:R DRAWING.
 - PART SATISFIES USCAR-2 REV. 6, FEBRUARY 2013, (T3,V2,S3,MF2).
 - PART TO COMPLY WITH YPES-31-038 REQUIREMENTS.
 - THIS DIMENSION SHOWS THE PRE-SET POSITION OF CPA.
 - THIS DRAWING IS TO BE USED FOR INTERNAL YAZAKI PSW SUBMISSION.
 - CLIP SLOT: 11mm CLIP SLOT, (BASED ON USCAR 11mm CLIP SLOT, EWCAP-005-11, REV C)
 - HANDLING MANUAL NUMBER: YPES-15-1792E

LET	DATE	REVISION RECORD	NO.	CHKD
-	03-14-2018	NEW	C18-A220	IM

GENERAL TOLERANCE											
	10MAX	50MAX	100MAX	250MAX	250OVR	R5 MAX	R10 MAX	R20 MAX	R20 OVR	ANGLE	ECCENT
A	±0.15	±0.20	±0.30	±0.50	±0.75					±3°	0.1
B	±0.20	±0.30	±0.55	±0.95	±1.40	±0.20	±0.30	±0.50	±2.50	±3°	0.1
Ⓒ	±0.30	±0.50	±0.80	±1.40	±2.00					±3°	0.15
SPECIFIED											

CUSTOMER		CUSTOMER DWG NO.		MATL SPEC.	SEE TABLE 1	TREAT. & FIN.	N/A
CUSTOMER PART NO.		TRIAL PART NO.		NAME			
OFFICE		VENDOR		2P 1.5mm SEALED SERVICE DISCONNECT ASSEMBLY			
YNA		VENDOR NO.		PART NO. 7225-9609-60, ETC.			
DWG SOURCE		DWG DATE		DWG NO. 7225-9609-60:R			
7225-9609-60:M		03-14-2018		DWG NO. 7225-9609-60:R			
APPROVED		CHECKED		YAZAKI CORPORATION			
DESIGN		DRAWN					
TONY HUYNH		ISABEL MURIZ					
12-05-2016		04-13-2018					

Mouser Electronics

Authorized Distributor

Click to View Pricing, Inventory, Delivery & Lifecycle Information:

[Yazaki:](#)

[7225960960](#)