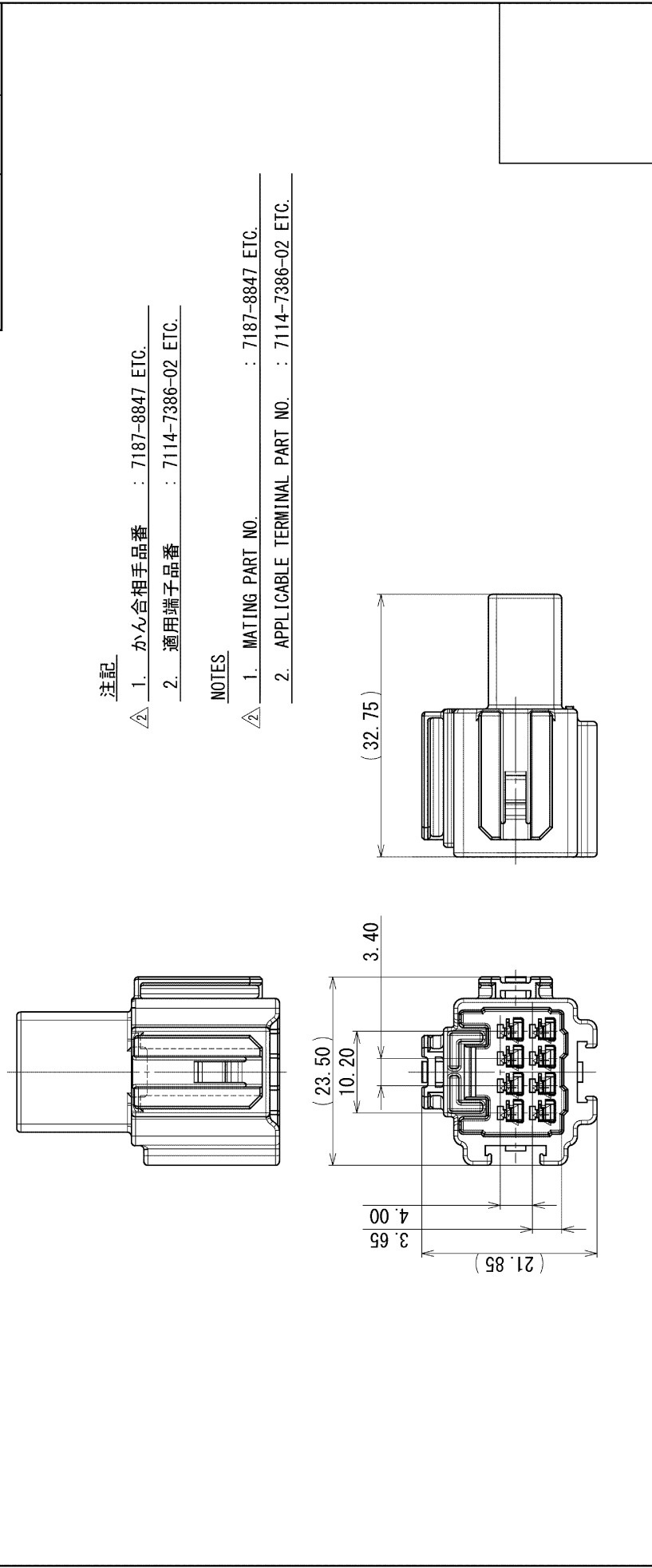


3

2

1

GENERAL TOLERANCE											
	10 MAX	50 MAX	100 MAX	250 MAX	250 OVR	R5 MAX	R10 MAX	R20 MAX	R20 OVR	ANGLE	ECCENT
A	±0.15	±0.2	±0.3	±0.5	±0.75	±0.2	±0.3	±0.5	±2.5	±3°	0.1
B	±0.2	±0.3	±0.55	±0.95	±1.4	±0.2	±0.3	±0.5	±2.5	±3°	0.1
◎	±0.3	±0.5	±0.8	±1.4	±2					±3°	0.15



注記

- △ 1. かん合相手品番 : 7187-8847 ETC.
- △ 2. 適用端子品番 : 7114-7386-02 ETC.

NOTES

- △ 1. MATING PART NO. : 7187-8847 ETC.
- △ 2. APPLICABLE TERMINAL PART NO. : 7114-7386-02 ETC.

LET	DATE	REVISION RECORD	NO.	CHKD	CUSTOMER	CUSTOMER PART NO.	CUSTOMER DWG NO.	TRIAL PART NO.	MATL. SPEC.	SEE TABLE	TREAT. & F.IN.	ISSUE MARK																																																																																
△	2015/04/07	ADDED COLOR	C15-Z136	A. Q																																																																																								
△	2014/09/16	ADDED COLOR	C14-Z544	A. Q																																																																																								
△	2013/02/18	ADDED COLOR	C13-Z087	J. C																																																																																								
△	2012/01/11	CHANGED FORM.	C12-Z058	J. C																																																																																								
	2011/11/24	NEW	C11-Z621	T. M																																																																																								
<table border="1"> <thead> <tr> <th colspan="4">GENERAL TOLERANCE</th> <th colspan="4">DWG TYPE</th> <th colspan="2">APPROVED</th> <th colspan="2">CHECKED</th> <th colspan="2">DESIGN</th> <th colspan="2">DRAWN</th> </tr> <tr> <th>10MAX</th> <th>50MAX</th> <th>100MAX</th> <th>250MAX</th> <th>250OVR</th> <th>ANGLE</th> <th>ECCENT</th> <th>R</th> <th>NEW</th> <th>T. MATSUNAGA</th> <th>K. MATSUMURA</th> <th>A. QUIROL</th> <th>2015/04/07</th> <th>2011/08/31</th> <th>2015/04/07</th> <th>2015/04/07</th> </tr> </thead> <tbody> <tr> <td>±0.15</td> <td>±0.2</td> <td>±0.3</td> <td>±0.5</td> <td>±0.75</td> <td>±30'</td> <td>0.1</td> <td></td> <td></td> <td></td> <td></td> <td></td> <td></td> <td></td> <td></td> <td></td> </tr> <tr> <td>B</td> <td>±0.2</td> <td>±0.3</td> <td>±0.55</td> <td>±0.95</td> <td>±30'</td> <td>0.1</td> <td></td> <td></td> <td></td> <td></td> <td></td> <td></td> <td></td> <td></td> <td></td> </tr> <tr> <td>C</td> <td>±0.3</td> <td>±0.5</td> <td>±0.8</td> <td>±1.4</td> <td>±30'</td> <td>0.15</td> <td></td> <td></td> <td></td> <td></td> <td></td> <td></td> <td></td> <td></td> <td></td> </tr> </tbody> </table>													GENERAL TOLERANCE				DWG TYPE				APPROVED		CHECKED		DESIGN		DRAWN		10MAX	50MAX	100MAX	250MAX	250OVR	ANGLE	ECCENT	R	NEW	T. MATSUNAGA	K. MATSUMURA	A. QUIROL	2015/04/07	2011/08/31	2015/04/07	2015/04/07	±0.15	±0.2	±0.3	±0.5	±0.75	±30'	0.1										B	±0.2	±0.3	±0.55	±0.95	±30'	0.1										C	±0.3	±0.5	±0.8	±1.4	±30'	0.15									
GENERAL TOLERANCE				DWG TYPE				APPROVED		CHECKED		DESIGN		DRAWN																																																																														
10MAX	50MAX	100MAX	250MAX	250OVR	ANGLE	ECCENT	R	NEW	T. MATSUNAGA	K. MATSUMURA	A. QUIROL	2015/04/07	2011/08/31	2015/04/07	2015/04/07																																																																													
±0.15	±0.2	±0.3	±0.5	±0.75	±30'	0.1																																																																																						
B	±0.2	±0.3	±0.55	±0.95	±30'	0.1																																																																																						
C	±0.3	±0.5	±0.8	±1.4	±30'	0.15																																																																																						
<table border="1"> <thead> <tr> <th>PART NO. AND CH. CODE</th> <th>MATERIAL</th> <th>COLOR</th> </tr> </thead> <tbody> <tr> <td>7186-8847-<u>A</u></td> <td>PBT</td> <td>NATURAL</td> </tr> <tr> <td>7186-8847-60-<u>A</u></td> <td>PBT</td> <td>GREEN</td> </tr> <tr> <td>7186-8847-90-<u>A</u></td> <td>PBT</td> <td>BLUE</td> </tr> <tr> <td>7186-8847-30-<u>A</u></td> <td>PBT</td> <td>BLACK</td> </tr> </tbody> </table>													PART NO. AND CH. CODE	MATERIAL	COLOR	7186-8847- <u>A</u>	PBT	NATURAL	7186-8847-60- <u>A</u>	PBT	GREEN	7186-8847-90- <u>A</u>	PBT	BLUE	7186-8847-30- <u>A</u>	PBT	BLACK																																																																	
PART NO. AND CH. CODE	MATERIAL	COLOR																																																																																										
7186-8847- <u>A</u>	PBT	NATURAL																																																																																										
7186-8847-60- <u>A</u>	PBT	GREEN																																																																																										
7186-8847-90- <u>A</u>	PBT	BLUE																																																																																										
7186-8847-30- <u>A</u>	PBT	BLACK																																																																																										
<table border="1"> <thead> <tr> <th>PART NO.</th> <th>NAME</th> <th>SET DWG NO.</th> </tr> </thead> <tbody> <tr> <td>△ 7186-8847 ETC.</td> <td>060 8P HLC HOUSING MALE</td> <td>7186-8847-R</td> </tr> <tr> <td colspan="3">YAZAKI CORPORATION</td> </tr> </tbody> </table>													PART NO.	NAME	SET DWG NO.	△ 7186-8847 ETC.	060 8P HLC HOUSING MALE	7186-8847-R	YAZAKI CORPORATION																																																																									
PART NO.	NAME	SET DWG NO.																																																																																										
△ 7186-8847 ETC.	060 8P HLC HOUSING MALE	7186-8847-R																																																																																										
YAZAKI CORPORATION																																																																																												

3

2

1

Mouser Electronics

Authorized Distributor

Click to View Pricing, Inventory, Delivery & Lifecycle Information:

[Yazaki:](#)

[71868847](#)