

1

2

3

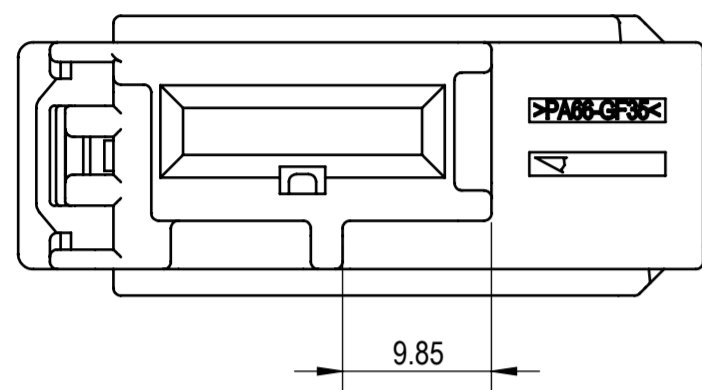
4

5

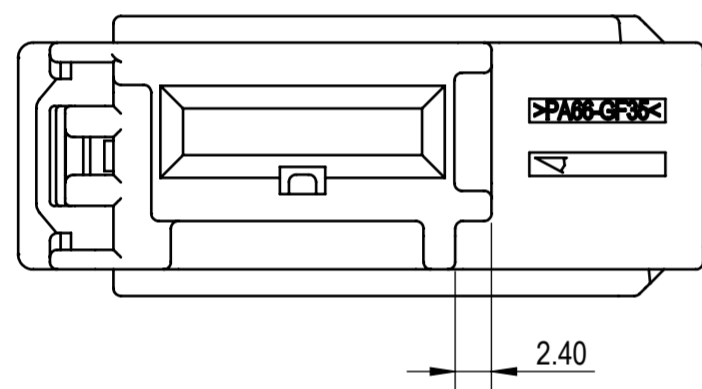
GENERAL TOLERANCE											
	10MAX	50MAX	100MAX	250MAX	250OVR	R5 MAX	R10 MAX	R20 MAX	R20 OVR	ANGLE	ECCENT
A	±0.15	±0.2	±0.3	±0.5	±0.75	±0.2	±0.3	±0.5	±2.5	±3°	0.1
B	±0.2	±0.3	±0.55	±0.95	±1.4					±3°	0.1
C	±0.3	±0.5	±0.8	±1.4	±2					±3°	0.15

PART NUMBER	DESCRIPTION	COLOR
7185-1065-40	KEYWAY A	GRAY
7185-1066-30	KEYWAY B	BLACK

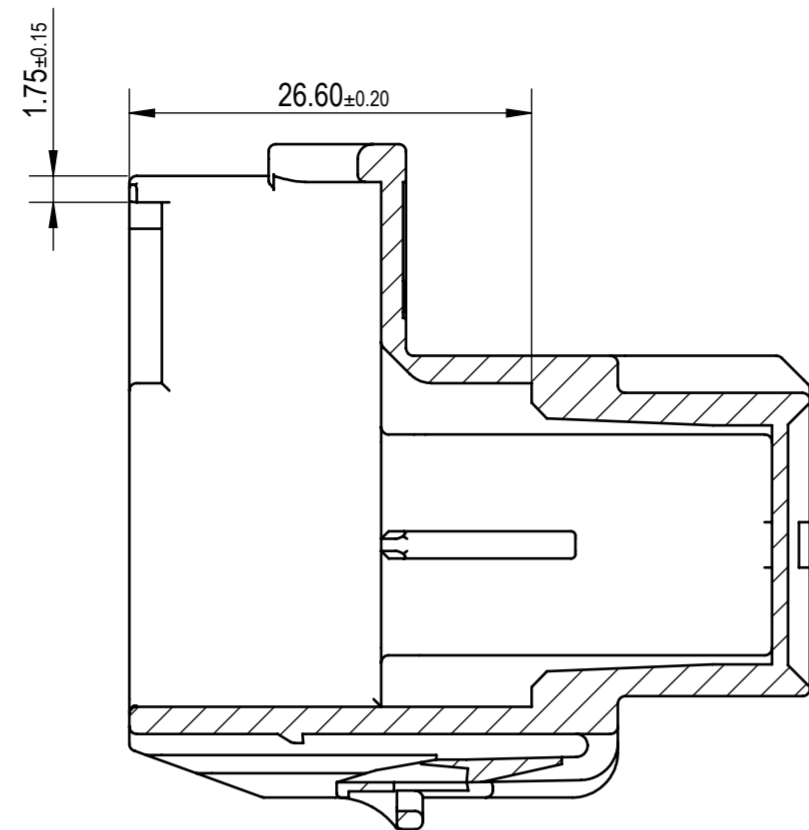
KEYWAY DETAIL



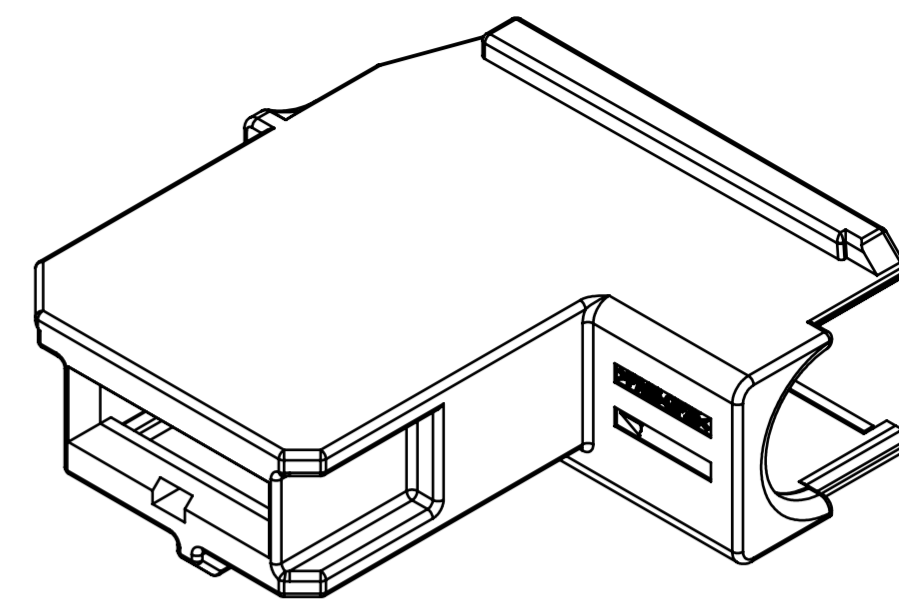
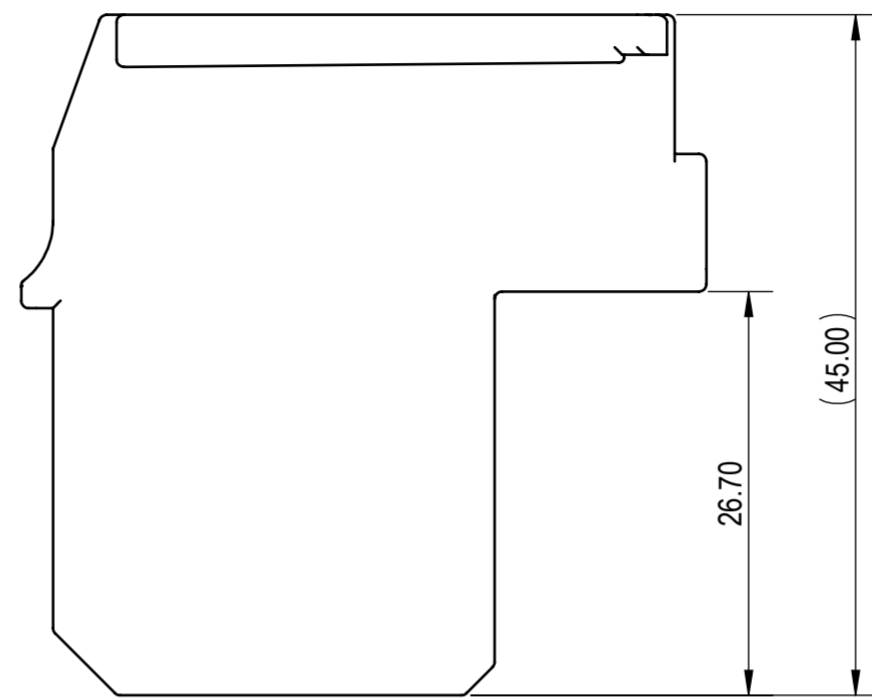
7185-1065-40



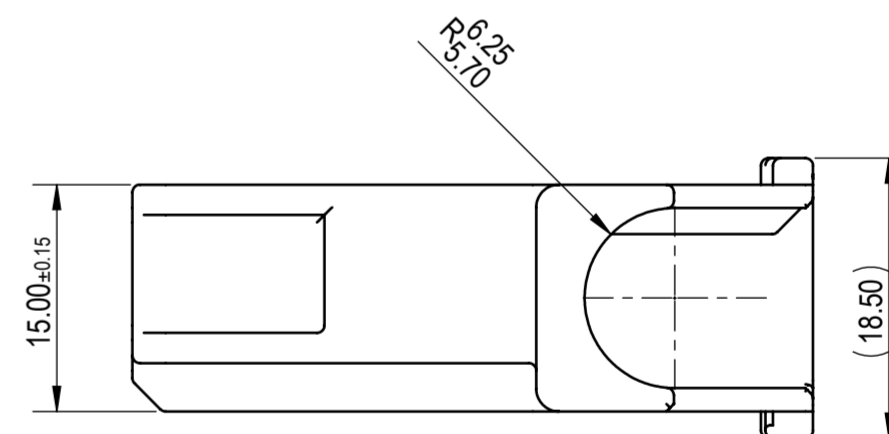
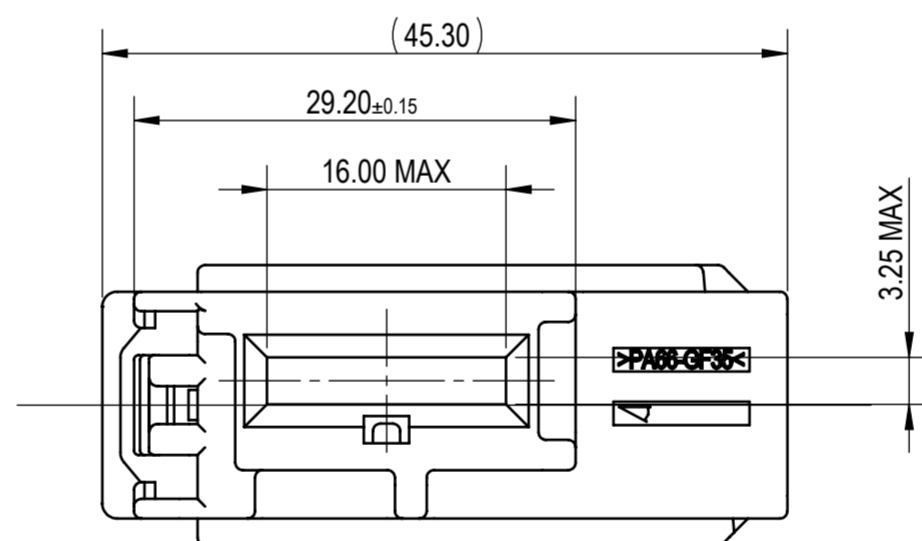
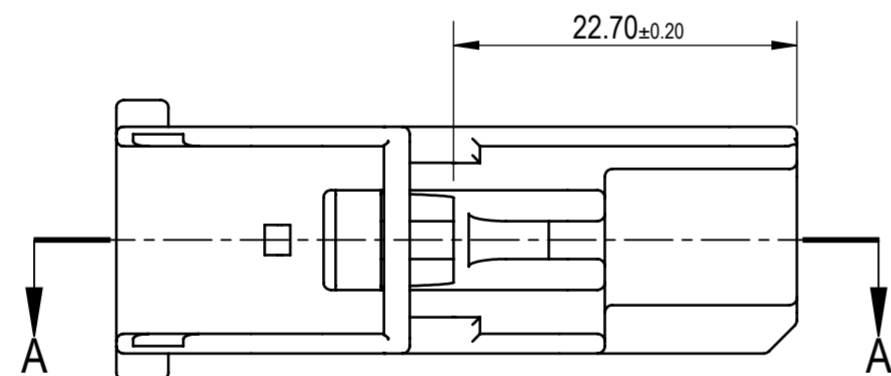
7185-1066-30



SECTION A-A



ISOMETRIC VIEW



- NOTES:
- PART MUST BE FREE OF FLASH AND IMPERFECTIONS THAT AFFECT FUNCTION.
  - MATERIAL: NYLON GF35%.
  - APPLICABLE PART NUMBERS  
REAR COVER: 7185-0543.  
TERMINAL: 7217-8100-06.  
CPA: 7172-1300.
  - PART TO COMPLY WITH YPES-31-038 REQUIREMENTS.

LET	DATE	REVISION RECORD	NO.	CHKD
-	8/03/2017	NEW	C17-A807	M.P.

YAZAKI NORTH AMERICA INC  
PROPRIETARY AND CONFIDENTIAL INFORMATION

GENERAL TOLERANCE							
	10MAX	50MAX	100MAX	250MAX	250OVR	ANGLE	ECCENT
A	±0.15	±0.2	±0.3	±0.5	±0.75	±30'	0.1
B	±0.2	±0.3	±0.55	±0.95	±1.4	±30'	0.1
C	±0.3	±0.5	±0.8	±1.4	±2	±30'	0.15
SPECIFIED						MASS	(11.54) g

CUSTOMER FORD				MATL. SPEC.				SEE NOTES		TREAT. & FIN.		N/A	
CUSTOMER PART NO.				CUSTOMER DWG NO.				NAME				1P 14.5MM UNSEALED FEMALE CONNECTOR	
OFFICE YNA				TRIAL PART NO.				PART NO.				7185-1065-40 ETC.	
VENDOR				X31525-AG79, X31525-AG76				CH. CODE				7185-1065-40:R	
VENDOR NO.				DWG TYPE				DWG SOURCE				DWG DATE	
R				NEW				04/03/2018				UNIT mm	
APPROVED				CHECKED				CHECKED				DESIGN	
M.PELZEL				M. PELZEL				M. PELZEL				DRAWN	
04/03/2018				04/03/2018				04/03/2018				04/03/2018	
YAZAKI CORPORATION													

1

2

3

4

5

# Mouser Electronics

Authorized Distributor

Click to View Pricing, Inventory, Delivery & Lifecycle Information:

[Yazaki:](#)

[7185106540](#) [7185106630](#)