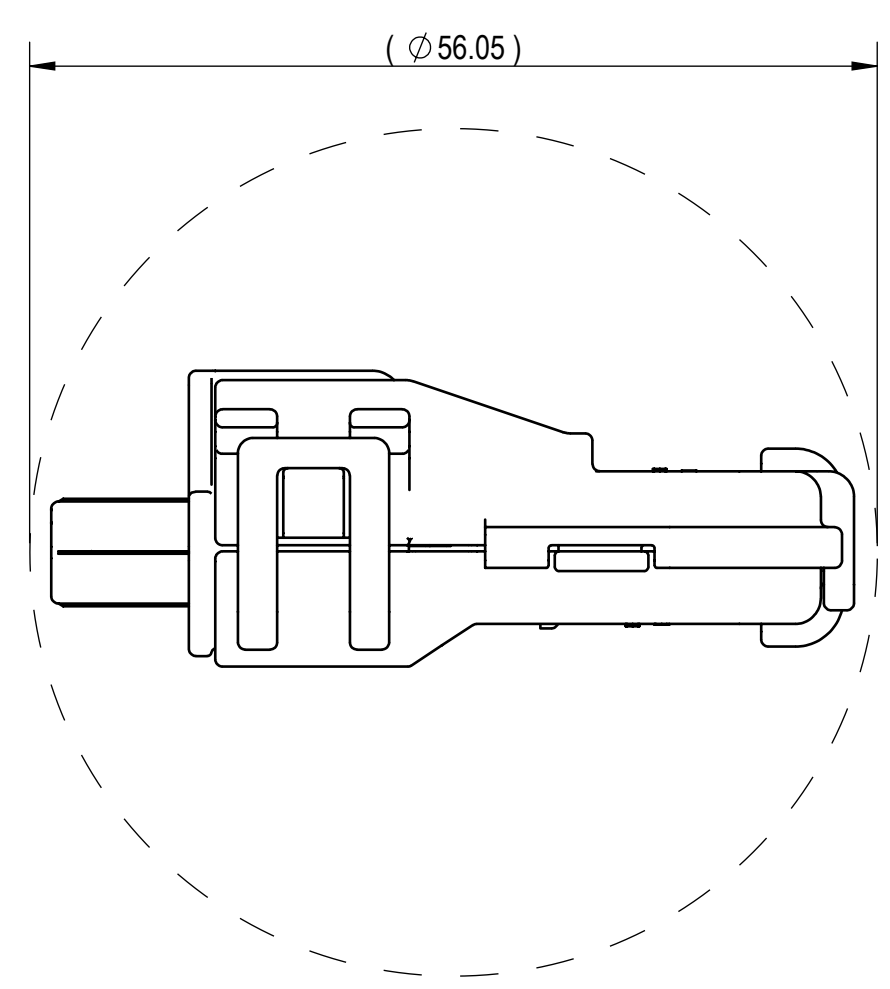
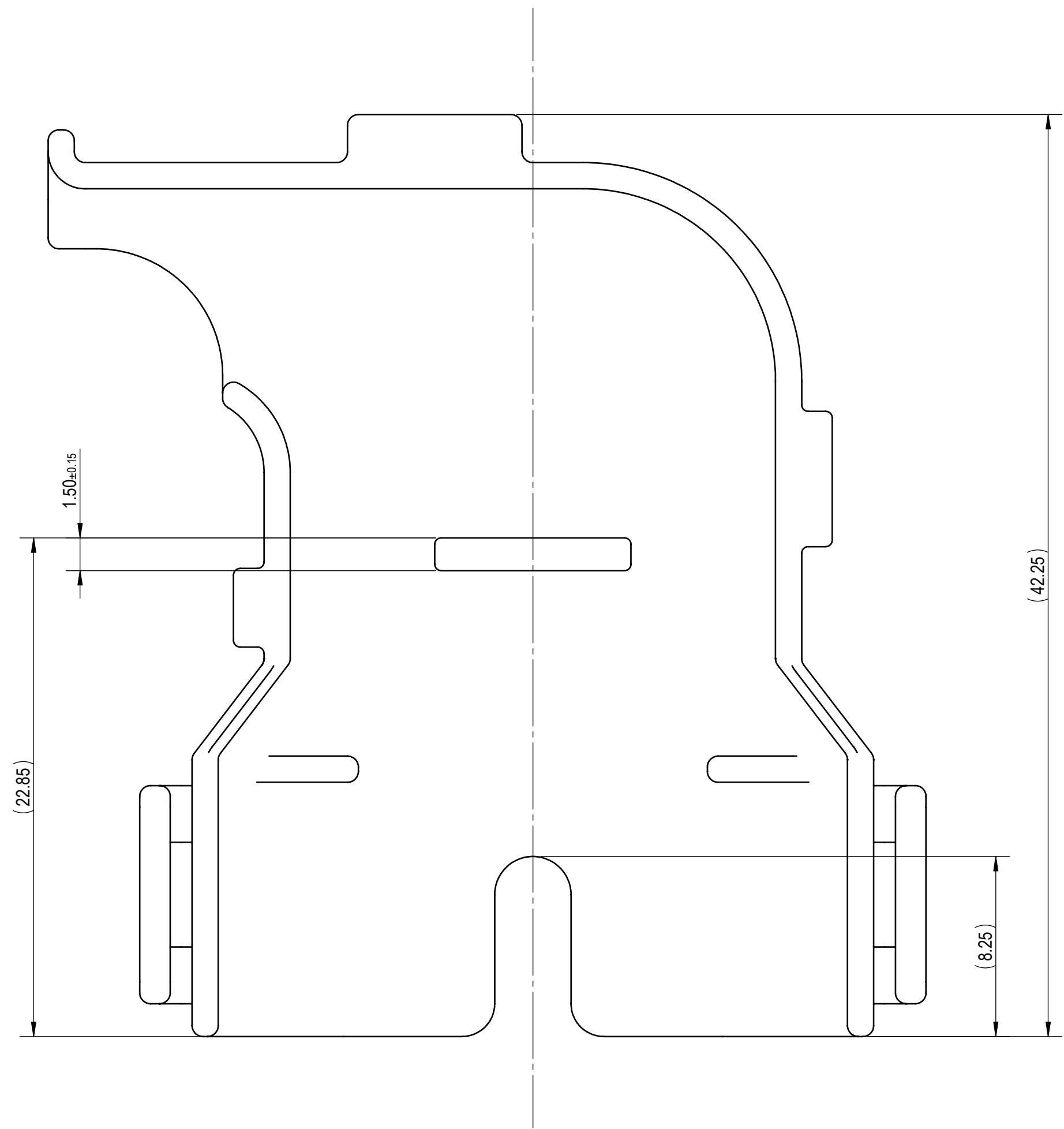
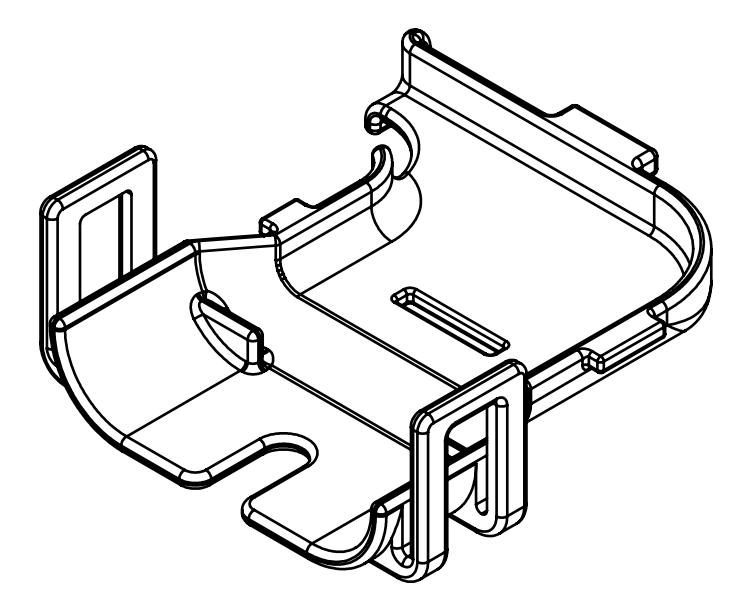


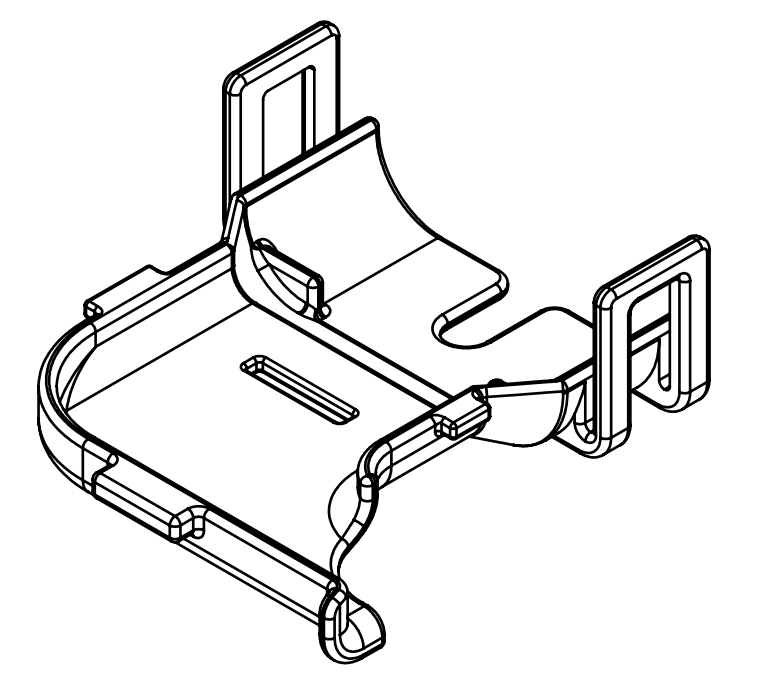
PART NUMBER	PART NAME	MATERIAL	COLOR	QUANTITY
7174-1812-30	5P 1.2mm SEALED CONNECTOR TWO-PIECE ROUTING COVER - BOTTOM PIECE	PA66-GF35	BLACK	1



RECOMMENDED PASS-THROUGH HOLE DIMENSION
(1mm CLEARANCE ALL AROUND)
(2/1)



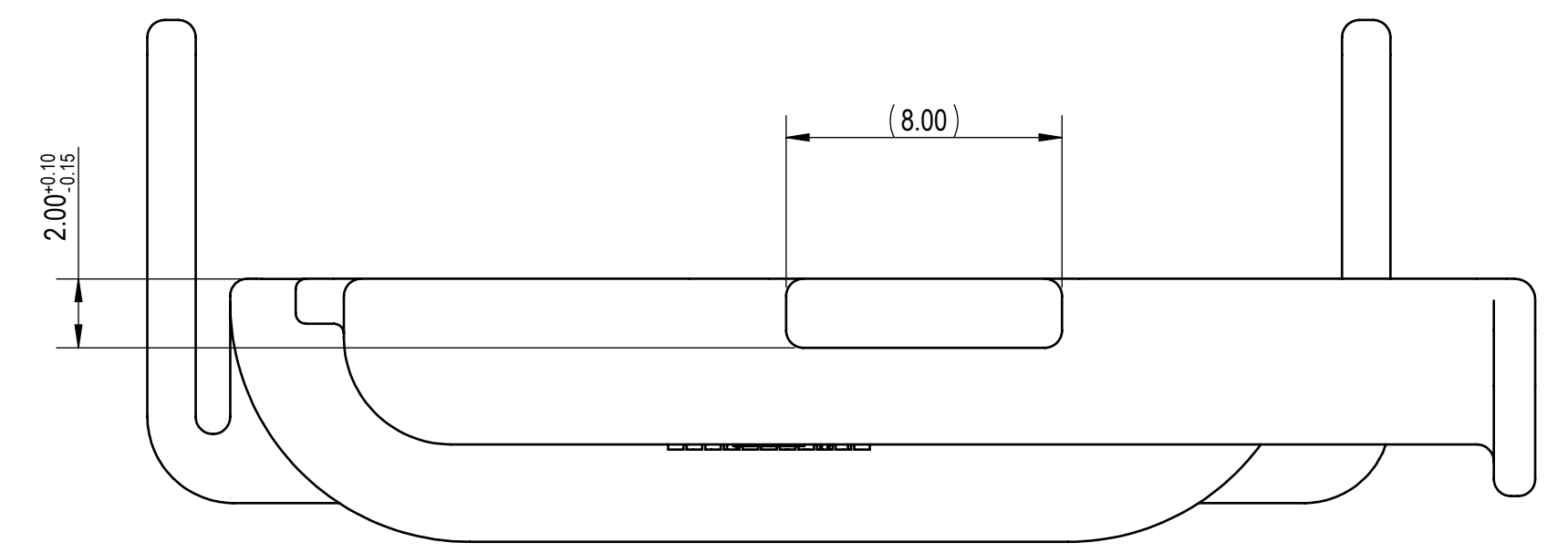
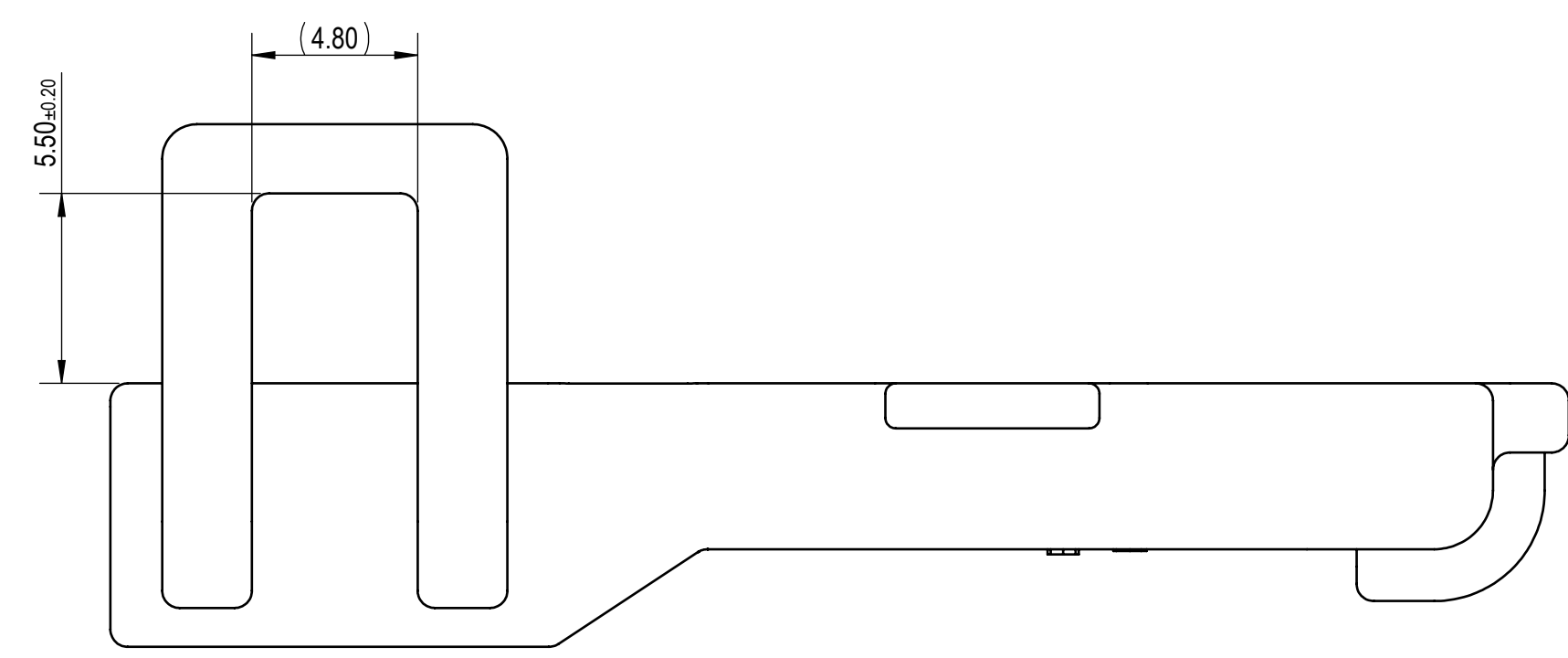
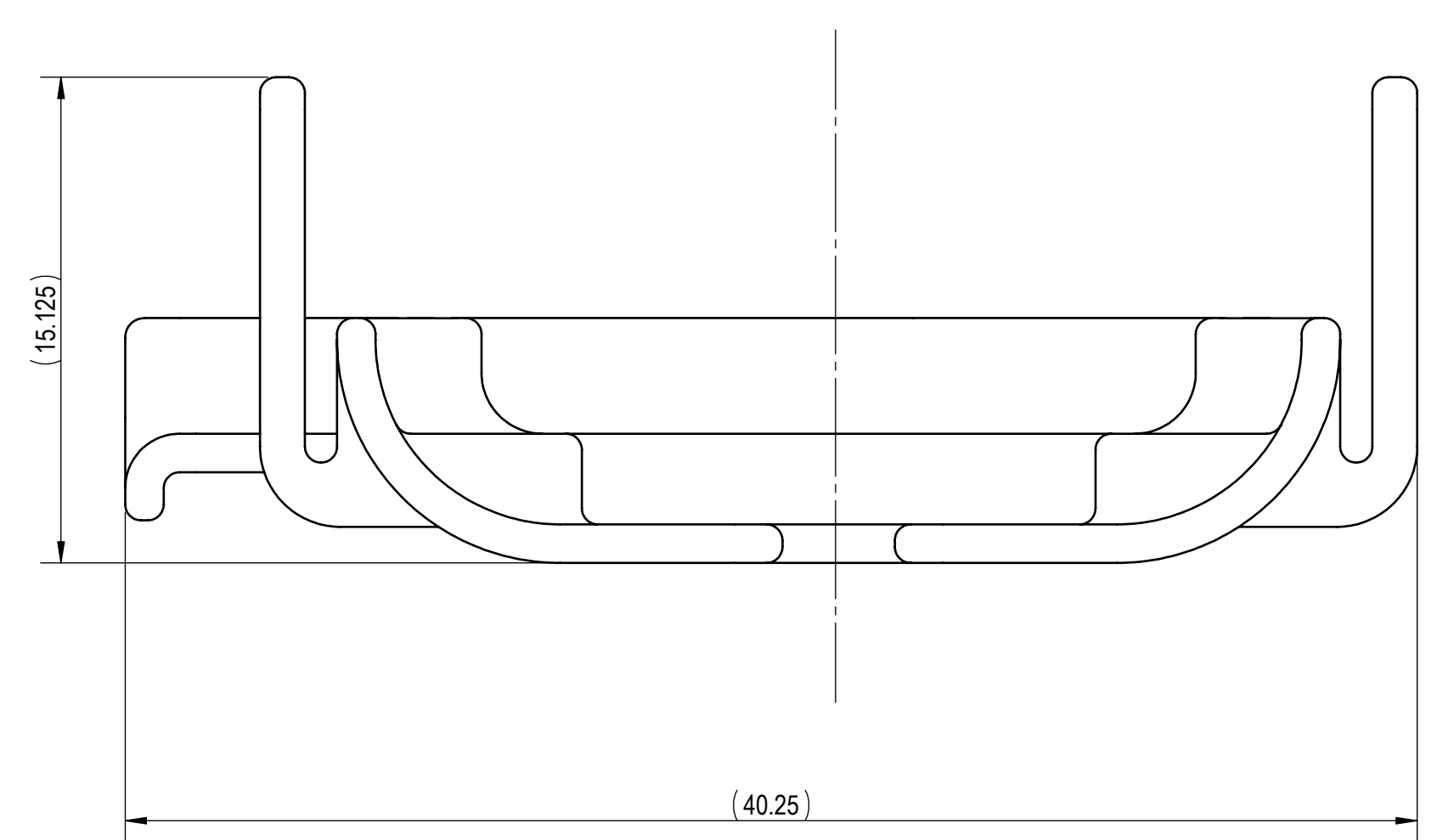
FRONT ISOMETRIC VIEW
(2/1)



REAR ISOMETRIC VIEW
(2/1)

NOTES:

- PARTS MUST BE PURCHASED FROM YAZAKI.
- PARTS MUST BE FREE OF FLASH AND IMPERFECTIONS THAT AFFECT FUNCTION.
- THIS PART TO BE USED WITH SUB-ASSEMBLY: 7289-4601-30, ETC.
- MATING PART NUMBER: 7174-1811-30
- PART SATISFIES USCAR-2, REV.6, FEB 2013 FOR MISCELLANEOUS COMPONENT ENGAGE/DISENGAGE FORCE.
- PART TO COMPLY WITH YPES-31-038 REQUIREMENTS.
- THIS DRAWING IS TO BE USED FOR INTERNAL YAZAKI PSW SUBMISSION.
- HANDLING MANUAL NUMBER: YPES-15-1666E.



ISSUE MARK

-	02-19-2018	NEW	C18-A139	VL
LET	DATE	REVISION RECORD	NO.	CHKD

GENERAL TOLERANCE											
	10MAX	50MAX	100MAX	250MAX	250OVR	R5 MAX	R10 MAX	R20 MAX	R20 OVR	ANGLE	ECCENT
A	±0.15	±0.2	±0.3	±0.5	±0.75					±3°	0.1
B	±0.2	±0.3	±0.55	±0.95	±1.4	±0.2	±0.3	±0.5	±2.5	±3°	0.15
©	±0.3	±0.5	±0.8	±1.4	±2					±3°	0.15
SPECIFIED										MASS	(2.88) g

CUSTOMER		CUSTOMER DWG. NO.		MATERIAL SPEC.		TREAT. & FIN.	
CUSTOMER PART NO.		7174-1812-30		SEE TABLE 1		N/A	
OFFICE		TRIAL PART NO.		NAME			
YNA				5P 1.2mm SEALED CONNECTOR TWO-PIECE			
VENDOR				ROUTING COVER - BOTTOM PIECE			
VENDOR NO.				PART NO.		7174-1812-30	
				CH. CODE			
				DWG NO.		7174-1812-30:R	
				YAZAKI CORPORATION			

Mouser Electronics

Authorized Distributor

Click to View Pricing, Inventory, Delivery & Lifecycle Information:

[Yazaki:](#)

[7174181230](#)