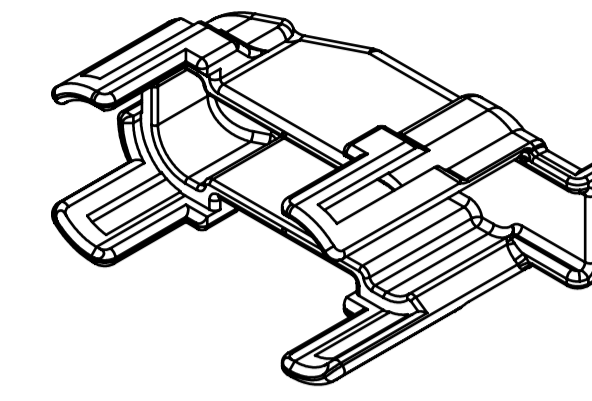
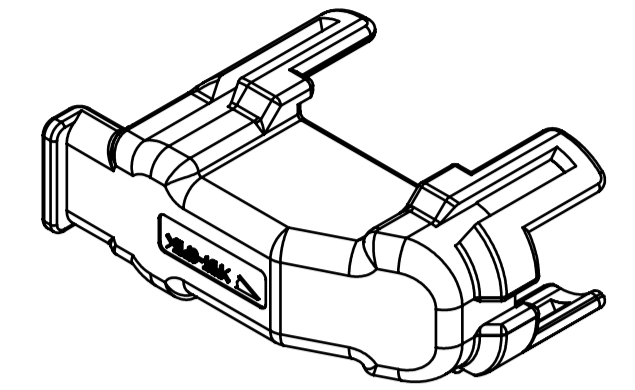


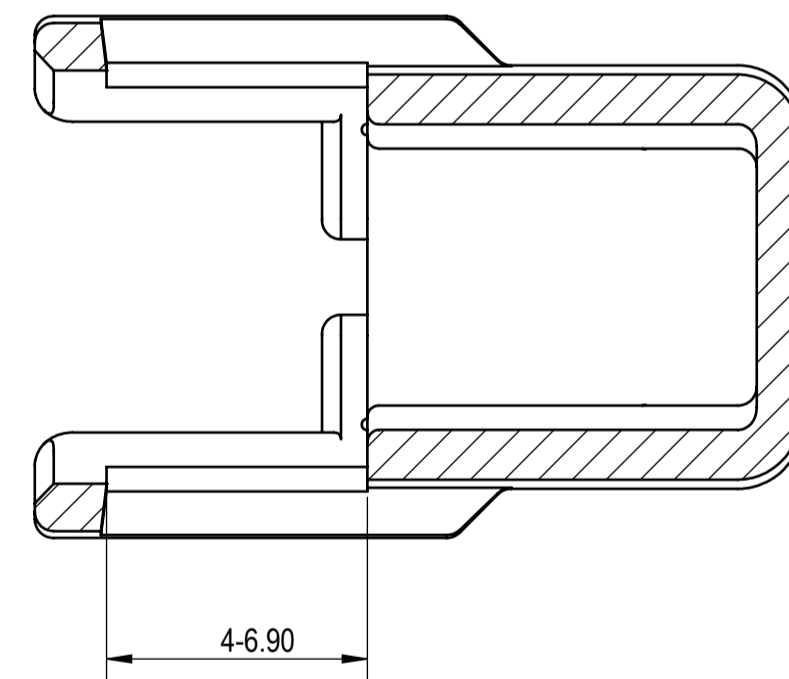
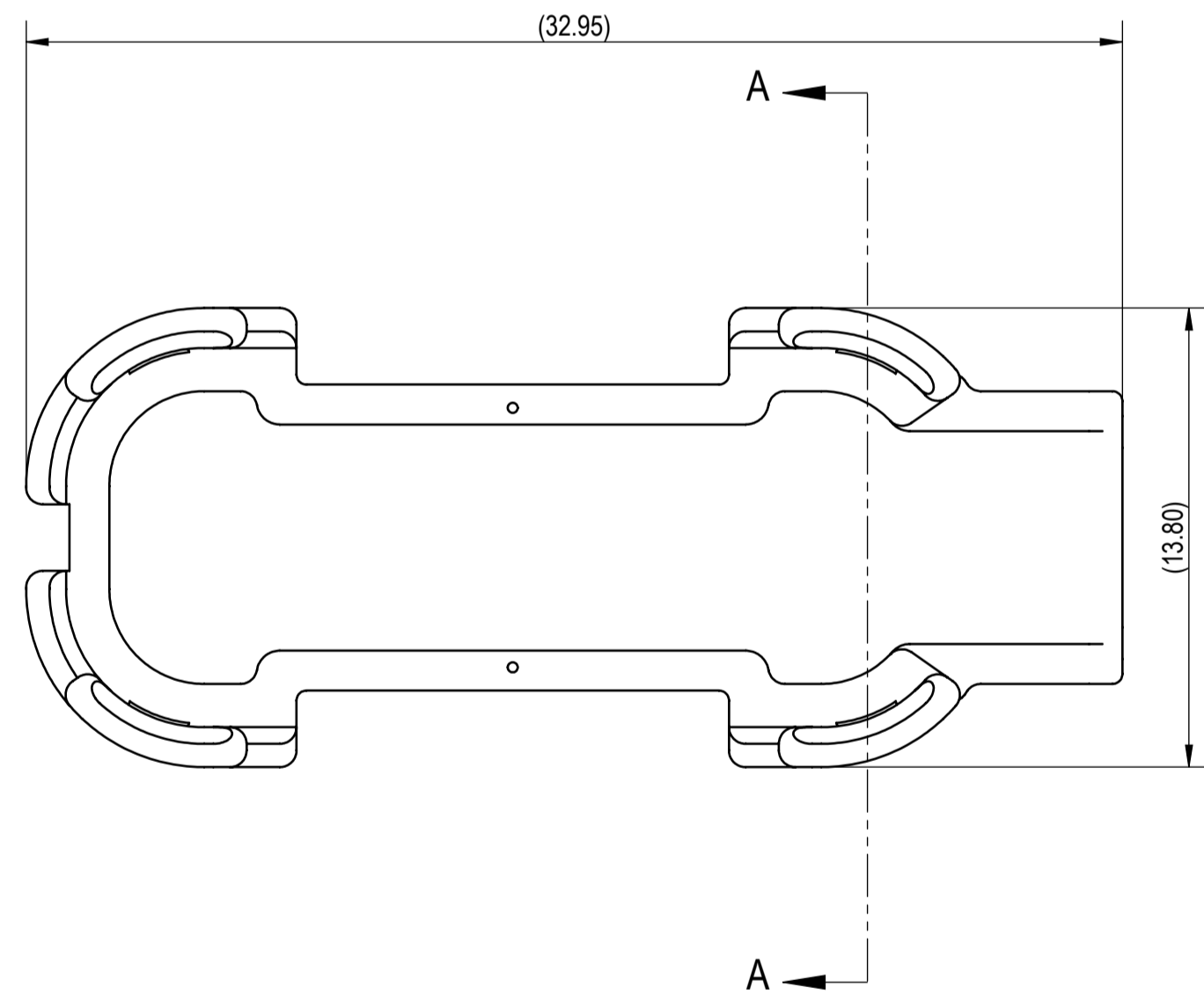
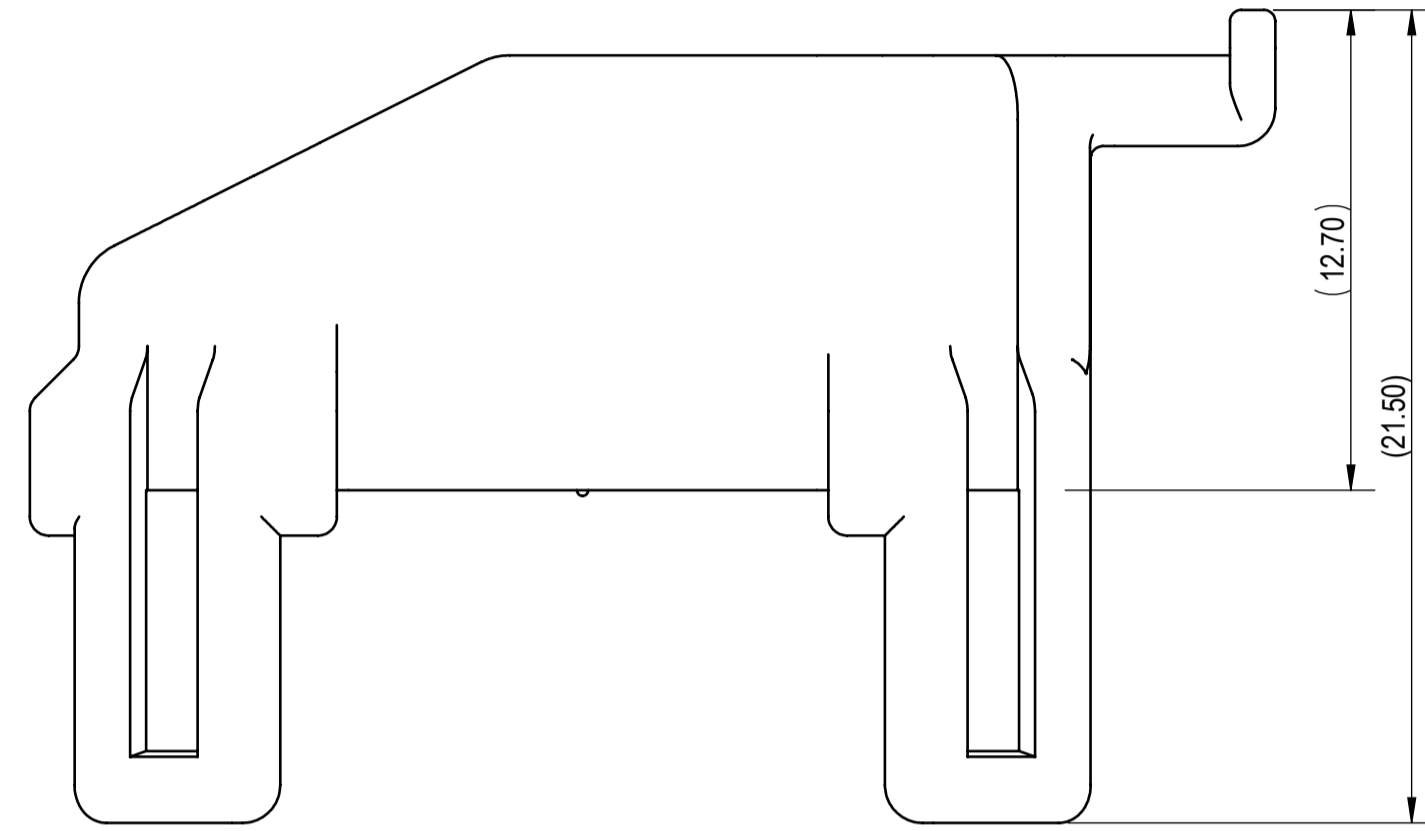
PART NUMBER	PART NAME	MATERIAL	COLOR
7174-1555-30	8P (GEN-Y CAVITY) 0.64 SEALED FEMALE CONNECTOR WIRE SHIELD	PBT-GF15	BLACK



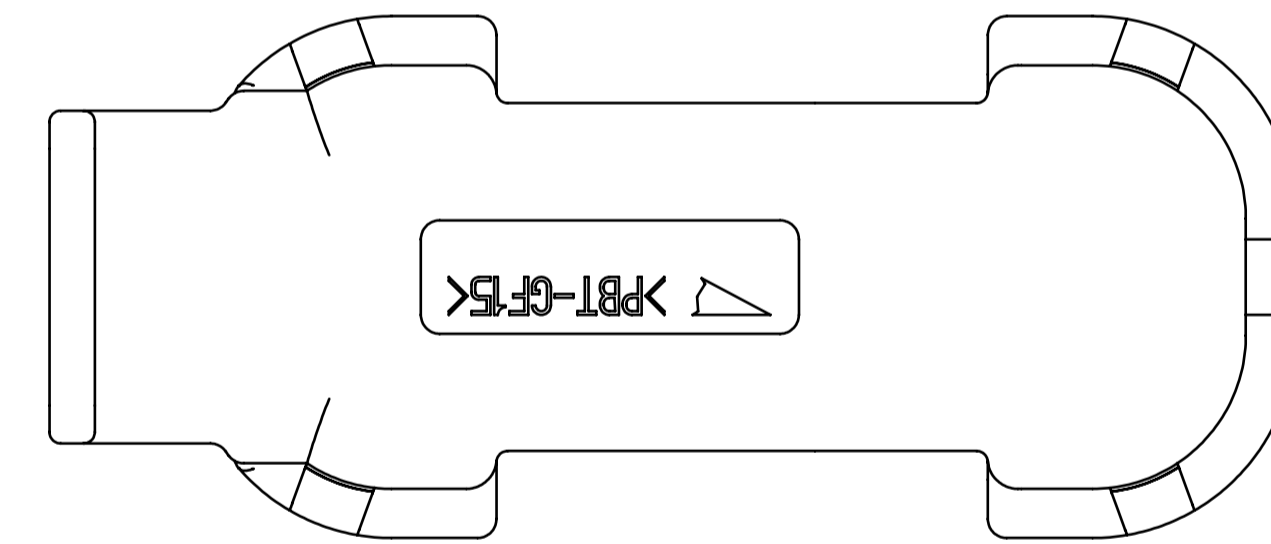
FRONT ISOMETRIC VIEW
(2/1)



REAR ISOMETRIC VIEW
(2/1)



SECTION A-A



NOTES:

- PARTS MUST BE PURCHASED FROM YAZAKI.
- PARTS MUST BE FREE OF FLASH AND IMPERFECTIONS THAT AFFECT FUNCTION.
- APPLICABLE SUB-ASSEMBLY: 7287-9194-30 ETC.
- PART SATISFIES USCAR-2, REVISION 6, FEBRUARY 2013, MISCELLANEOUS ENGAGE/DISENGAGE TEST.
- PART TO COMPLY WITH YPES-31-038 REQUIREMENTS.
- THIS DRAWING IS TO BE USED FOR INTERNAL YAZAKI PSW SUBMISSION.

ISSUE MARK

-	01-23-2017	NEW	C17-A059	R.B.
LET	DATE	REVISION RECORD	NO.	CHKD

GENERAL TOLERANCE											
	10MAX	50MAX	100MAX	250MAX	250OVR	R5 MAX	R10 MAX	R20 MAX	R20 OVR	ANGLE	ECCENT
A	±0.15	±0.20	±0.30	±0.50	±0.75					±3°	0.1
B	±0.20	±0.30	±0.55	±0.95	±1.40	±0.20	±0.30	±0.50	±2.50	±3°	0.15
Ⓢ	±0.30	±0.50	±0.80	±1.40	±2.00					±3°	0.15
SPECIFIED										MASS	(1.8)g

CUSTOMER		CUSTOMER DWG. NO.		MATERIAL SPEC.		TREAT. & FIN.	
CUSTOMER PART NO.		CUSTOMER DWG. NO.		SEE TABLE		N/A	
OFFICE		TRIAL PART NO.		NAME			
YNA				8P (GEN-Y CAVITY) 0.64 SEALED			
VENDOR				FEMALE CONNECTOR WIRE SHIELD			
VENDOR NO.				PART NO. 7174-1555-30			
				CH. CODE			
				7174-1555-30:R			
				DWG NO. 7174-1555-30:R			
				YAZAKI CORPORATION			

Mouser Electronics

Authorized Distributor

Click to View Pricing, Inventory, Delivery & Lifecycle Information:

[Yazaki:](#)

[7174155530](#)