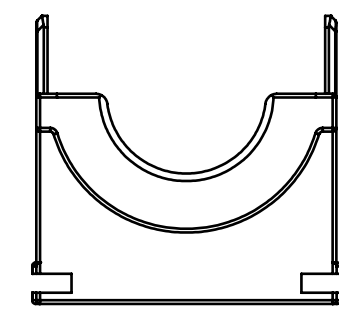
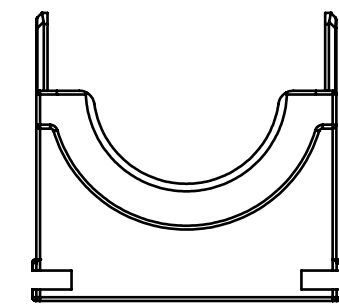


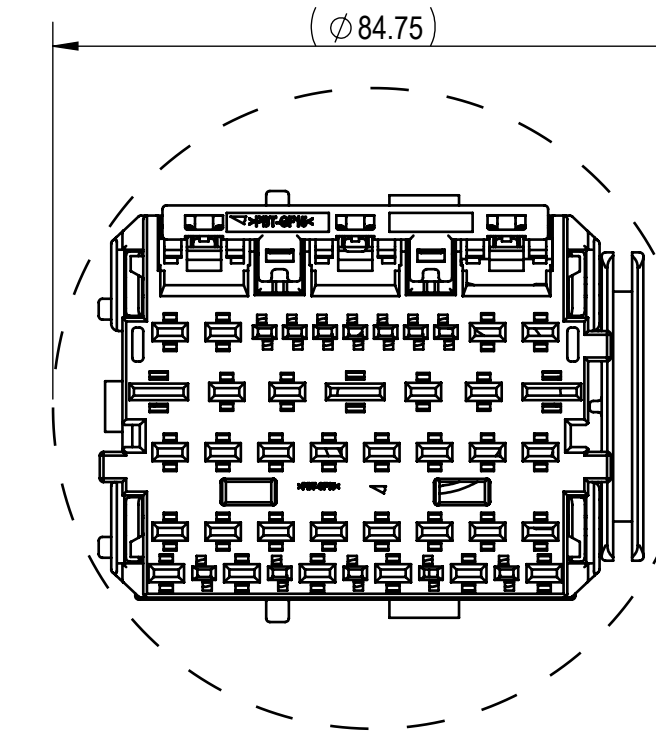
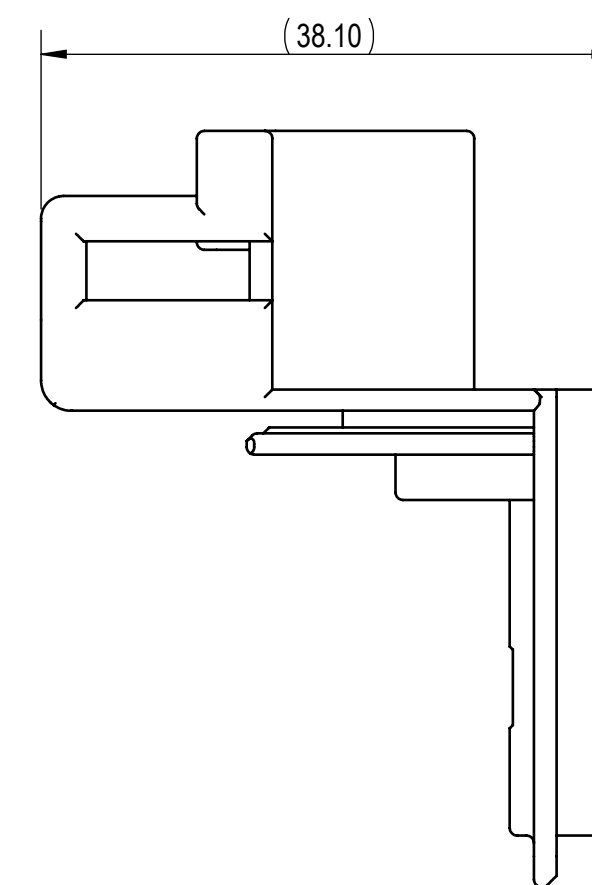
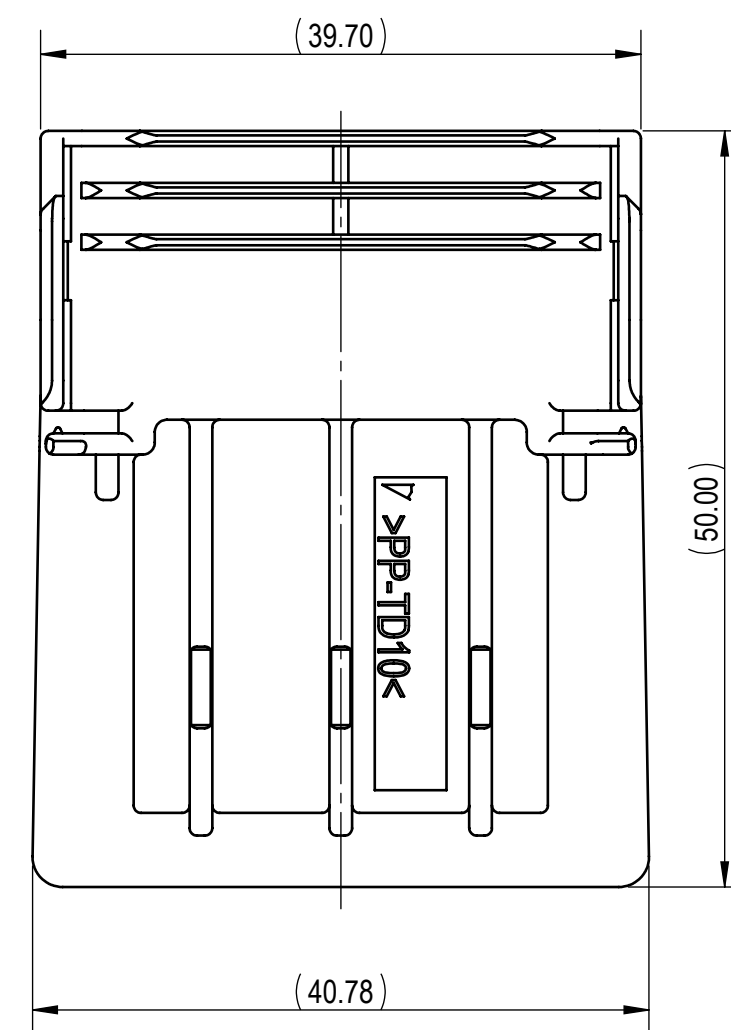
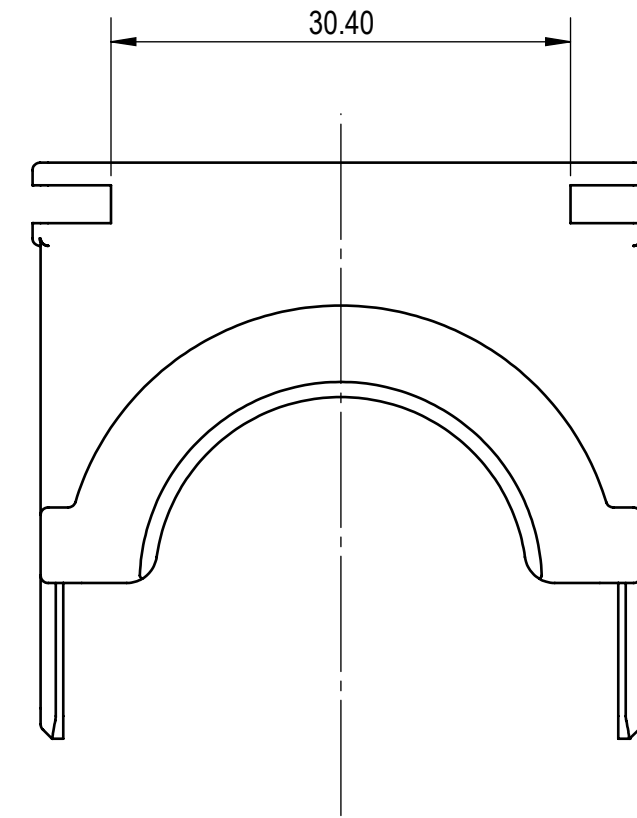
PART NUMBER	CONVOLUTED TUBING SIZE	MASS	APPLICABLE WIRE SHIELD	APPLICABLE CONNECTOR PART NUMBER
7173-5534-30	19mm	(7.69g)	7172-1875-30	7298-4588-30
			7172-1799-30	7298-4594-60
7173-5420-30	22mm	(7.33g)	7172-1798-30	7298-4593-40
			7172-1877-30	7298-4633-90



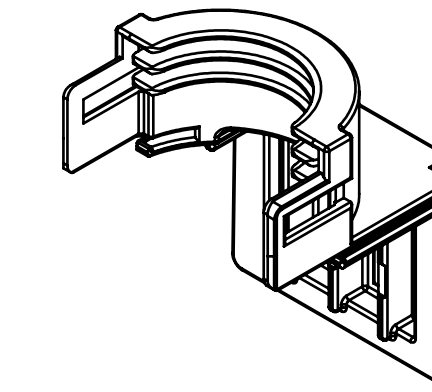
7173-5534-30  
19mm



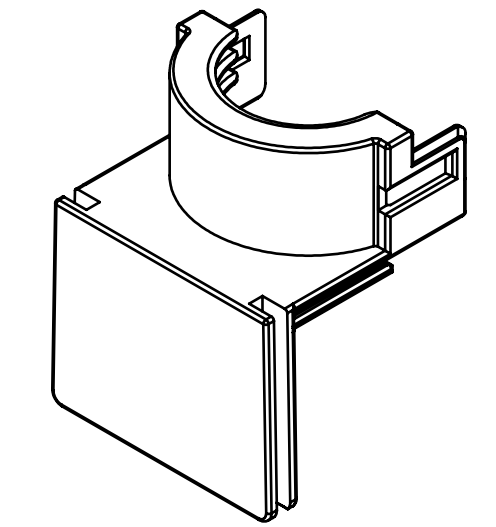
7173-5420-30  
22mm



RECOMMENDED PASS-THROUGH HOLE DIMENSION WITH 7298-4588-30, ETC. & 7172-1875-30, ETC. (1mm CLEARANCE ALL AROUND)  
(1/1)



FRONT ISOMETRIC VIEW  
(1/1)



REAR ISOMETRIC VIEW  
(1/1)

NOTES:

- PARTS MUST BE PURCHASED FROM YAZAKI.
- PARTS MUST BE FREE OF FLASH AND IMPERFECTIONS THAT AFFECT FUNCTION.
- MATERIAL: PP-TD10
- COLOR: BLACK
- PART TO COMPLY WITH YPES-31-038 REQUIREMENTS.
- THIS DRAWING IS TO BE USED FOR INTERNAL YAZAKI PSW SUBMISSION.
- TO BE USED WITH: SEE TABLE.
- RETAINING CLIP IS DESIGNED TO WORK WITH STANDARD TYPE 1 CONVOLUTED TUBING PER GMW15926.
- PART SATISFIES GMW 3191, JUNE 2012 (TC2/SC1/VC1)

ISSUE MARK

LET	DATE	REVISION RECORD	NO.	CHKD
-	06-29-2020	NEW	C20-A427	B.R.

GENERAL TOLERANCE											
	10MAX	50MAX	100MAX	250MAX	250OVR	R5 MAX	R10 MAX	R20 MAX	R20 OVR	ANGLE	ECCENT
A	±0.15	±0.20	±0.30	±0.50	±0.75					±3°	0.1
B	±0.20	±0.30	±0.55	±0.95	±1.40	±0.20	±0.30	±0.50	±2.50	±3°	0.15
Ⓢ	±0.30	±0.50	±0.80	±1.40	±2.00					±3°	0.15
	MASS SEE TABLE										

CUSTOMER		CUSTOMER DWG. NO.		MATL. SPEC.	TREAT. & FIN.
CUSTOMER PART NO.		CUSTOMER DWG. NO.		SEE TABLE	N/A
OFFICE	YNA	TRIAL PART NO.		NAME	
VENDOR				48P(3Px9.5mm+3Px6.3mm+30Px2.8mm+12Px1.5mm) HYBRID	
VENDOR NO.				UNSEALED WIRE SHIELD RETAINING CLIP DOWN SIDE	
DWG TYPE	R	DWG SOURCE	7173-5420-30/M	DWG DATE	06-29-2020
APPROVED	CHECKED	CHECKED		DESIGN	DRAWN
				RYAN BARTLETT	BENJAMIN RODRIGUEZ
				12-19-2019	08-03-2020
PART NO.				7173-5420-30, ETC.	
CH. CODE					
DWG NO.				7173-5420-30:R	
<b>YAZAKI CORPORATION</b>					

# Mouser Electronics

Authorized Distributor

Click to View Pricing, Inventory, Delivery & Lifecycle Information:

[Yazaki:](#)

[7173542030](#) [7173553430](#)